



A TEREX BRAND

# *Parts Manual*

Serial Number Range

**S-40**

from SN 0001 to 0830

**S-45**

Part No. 32223

Rev D21

January 2015

## Technical Publications

Genie has endeavored to deliver the highest degree of accuracy possible. However, continuous improvement of our products is a Genie policy. Therefore, product specifications are subject to change without notice.

Readers are encouraged to notify Genie of errors and send in suggestions for improvement. All communications will be carefully considered for future printings of this and all other manuals.

## Contact Us:

<http://www.genielift.com>  
 e-mail: [awp.techpub@terex.com](mailto:awp.techpub@terex.com)

## Serial Number Information


Genie offers the following Parts Manuals for these models:

Title	Part No
Genie S-40 Parts Manual (to serial number 830) .....	32223
Genie S-40 and S-45 Parts Manual (from serial number 831 to 7000) .....	52090
Genie S-40 and S-45 Parts Manual (from serial number 7001) .....	89721

Copyright © 2011 Terex Corporation

32223 Rev D November 2009  
 First Edition, Fourth Printing

Genie is a registered trademark of Terex South Dakota in the USA and many other countries. "S" is a trademark of Terex South Dakota, Inc.

 Printed on recycled paper



A TEREX BRAND

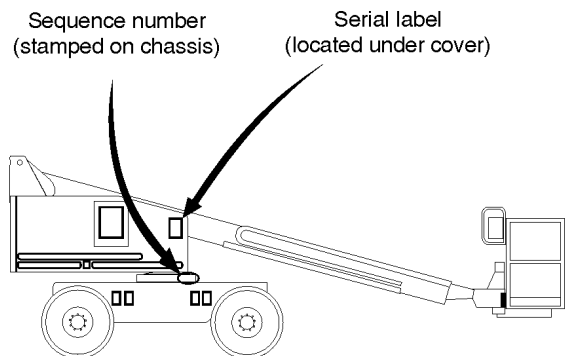
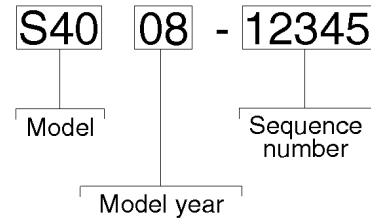
**Model:** S-40  
**Serial number:** S4008-12345  
**Model year:** 2008 **Manufacture date:** 01/05/08  
**Electrical schematic number:** ES0274  
**Machine unladen weight:**

**Rated work load (including occupants):** 500 lb / 227 kg  
**Maximum number of platform occupants:** 2  
**Maximum allowable side force :** 150 lb / 670 N  
**Maximum allowable inclination of the chassis:**  
 0 deg  
**Maximum wind speed :** 28 mph/ 12.5 m/s  
**Maximum platform height :** 60 ft 6 in/ 18.3 m  
**Maximum platform reach :** 34 ft 3 in/ 10.4 m  
**Gradeability:** N/A  
**Country of manufacture:** USA  
**This machine complies with:**  
 ANSI A92.5  
 CAN B.354.4

**Terex South Dakota, Inc.**  
 18340 NE 76th Street  
 Redmond, WA 98052  
 USA



111111111111



## Table of Contents

This manual is updated frequently. If you have a printed manual, you can keep it up to date by downloading new figures from the Genie website at [www.genielift.com](http://www.genielift.com). For the most up-to-date parts information, visit the Parts Lookup System on the Genie website at [www.genielift.com](http://www.genielift.com).

How to Read Your Serial Number.....	3
Parts Stocking List.....	7
How to Order Parts.....	8
Service Parts Fax Order Form.....	9

**Electronic Version**

Click on any page number to view the figure.

**100 Decals**

101.1 Decals - View 1.....	10
102.1 Decals - View 2.....	12

**200 2WD Drive Chassis Components**

201.1 2WD Steer Axle Linkage - Oscillating.....	14
202.1 2WD Steer Axle Linkage - Non-oscillating.....	16
203.1 2WD Steer Axle.....	18
204.1 2WD Drive Manifold.....	20
205.1 2WD Non-steer Axle.....	22
206.1 2WD Oscillate Manifolds.....	26
207.1 2WD Hydraulic Hoses and Fittings - Oscillating Axle.....	28
208.1 2WD Hydraulic Hoses and Fittings - Non-oscillating Axle.....	32

**300 4WD Drive Chassis Components**

301.1 4WD Steer Axle Linkage - Oscillating.....	34
302.1 4WD Steer Axle Linkage - Non-oscillating.....	36
303.1 4WD Steer Axle Wheel Drive.....	38
304.1 4WD Drive Manifold.....	40
305.1 4WD Non-steer Axle.....	42
306.1 Oscillate Manifolds.....	46
307.1 4WD Hydraulic Hoses and Fittings - Oscillating Axle.....	48
308.1 4WD Hydraulic Hoses and Fittings - Non-oscillating Axle.....	52

**400 Engine Components**

401.1 Ford Gasoline/LPG Engine - View 1.....	56
402.1 Ford Gasoline/LPG Engine - View 2.....	58
403.1 Ford Gasoline/LPG Engine - View 3.....	62
404.1 Deutz Diesel Engine - View 1.....	64

405.1 Deutz Diesel Engine - View 2.....	66
406.1 Deutz Diesel Engine - View 3.....	68

**500 Turntable Components**

501.1 Hydraulic and Fuel Tanks.....	70
502.1 Function Manifold and Auxilliary Power Unit Installation.....	72
503.1 Function Manifold.....	74
504.1 Turntable Rotation and Hydraulic Rotary Coupler Installation.....	76
505.1 Ground Controls - View 1.....	80
506.1 Ground Controls - View 2.....	82
507.1 Turntable Covers.....	84
508.1 Hydraulic Hoses and Fittings.....	86

**600 Boom Components**

601.1 Boom Lift and Master Cylinder Installation.....	92
602.1 Boom Installation.....	94
603.1 Cable Track Installation.....	96
604.1 Slave Cylinder and Platform Rotator.....	98
605.1 Hydraulic Hoses and Fittings.....	100

**700 Platform Components**

701.1 Platform.....	102
702.1 Platform Controls - View 1.....	104
703.1 Platform Controls - View 2.....	106
704.1 Joystick Controller - Drive / Steer Functions.....	108
705.1 Joystick Controller - Boom Functions.....	110

**800 Accessories**

801.1 Alarm and Beacon Package.....	112
802.1 Platform Options.....	114
803.1 Air Line to Platform.....	116
804.1 Generator and Spare LPG Tank.....	118
805.1 Cold Start Package - Ford & Deutz Engines.....	120

**Indices**

Part Number Index.....	122
Part Description Index.....	126

**Cross References**

Fittings Cross Reference.....	132
-------------------------------	-----

***This Page Intentionally Left Blank***



### Required Parts

The following parts are required to perform maintenance procedures as outlined in the *Genie S-40 Service Manual*.

**Ford Models:**

Description	Part No.
Filter, Fuel.....	28662
Filter - Engine Oil .....	28656
Element - Air Filter .....	27916
V-Belt .....	28652
Valve - PCV .....	33957
Spark Plug.....	28647

**Deutz Models:**

Description	Part No.
Element - Air Filter .....	27916
Filter - Fuel/water Separator .....	29560
Filter - Engine Oil .....	29561
V-Belt .....	32698

### Recommended Parts

Description	Part No.
Genie Blue Paint, 1 Gallon .....	32150
Genie Blue Paint, 12 Ounce Aerosol .....	1484
Genie Gray Paint, 1 Gallon.....	32151
Genie Gray Paint, 12 Ounce Aerosol .....	1268

### Manuals

Genie Industries offers the following support documents for these models:

Title	Part No.
Genie S-40 Operator's Manual .....	32221
Genie S-40 Service Manual .....	32222
Ford LSG-423 Service Manual .....	29586
Deutz FL 1011 Workshop Manual .....	29789
Deutz FL 1011 Operation Manual .....	29790
EMI Safety Manual .....	27581
Manual of Responsibilities ANSI A92.5.....	31779

## How To Order Parts

Please be prepared with the following information when ordering replacement parts for your Terex or Genie product:

- Machine model number
- Machine serial number
- Part number
- Part description and quantity
- Purchase order number
- "Ship to" address
- Desired method of shipment
- Name and telephone number of the authorized distributor in your area

Use the Service Parts Fax Order Form on the next page and fax your order to our Parts Department.

If you don't know the name of your authorized distributor, or if your area is not currently serviced by an authorized distributor, please call Terex or Genie Industries.

### Machine Information

---

Model

---

Serial Number

---

Date of Purchase

---

Authorized Genie Distributor

---

Phone Number

#### North America

Telephone (425) 556-6551  
 Toll Free (877) 367-5606 in U.S.A. and Canada  
 Fax (425) 556-8659  
 Toll Free Fax (888) 274-6192

#### Europe

Parts Telephone (31) (165) 519 313  
 Parts Fax (31) (165) 511 148

#### Australia

Parts Telephone (61) (7) 3456 4444  
 Parts Fax (61) (7) 3456 4466

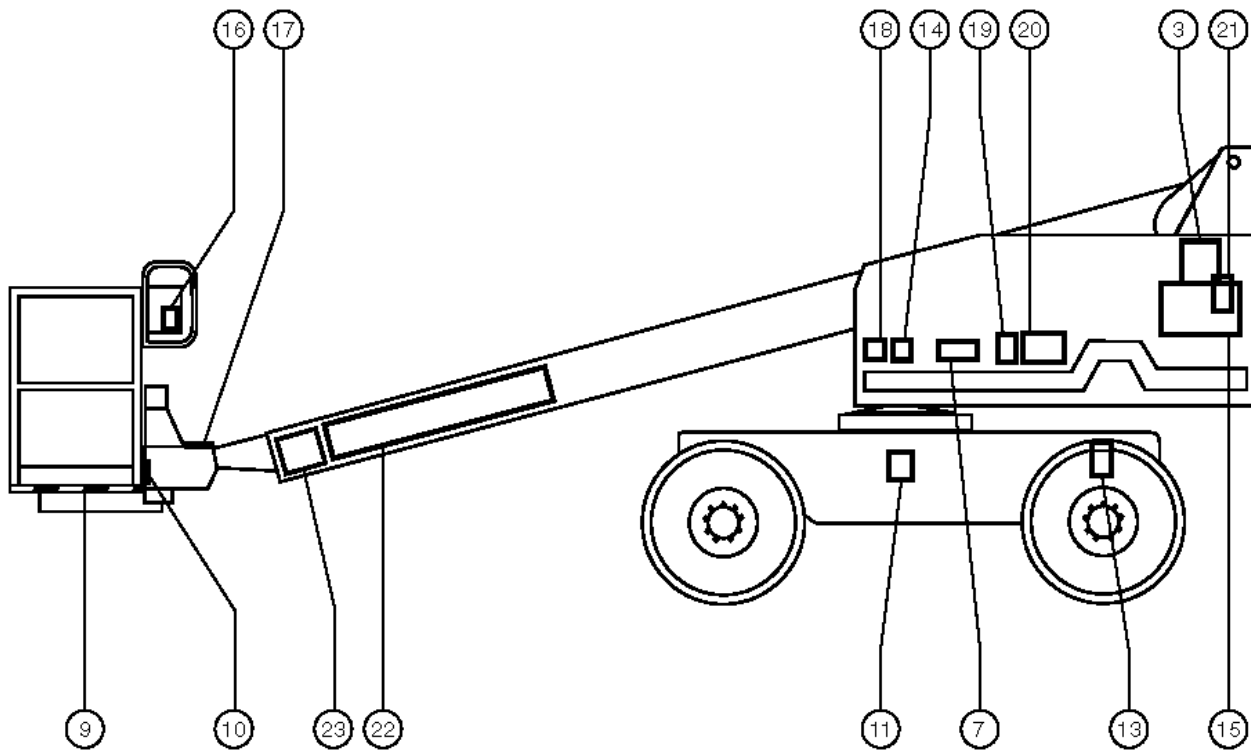
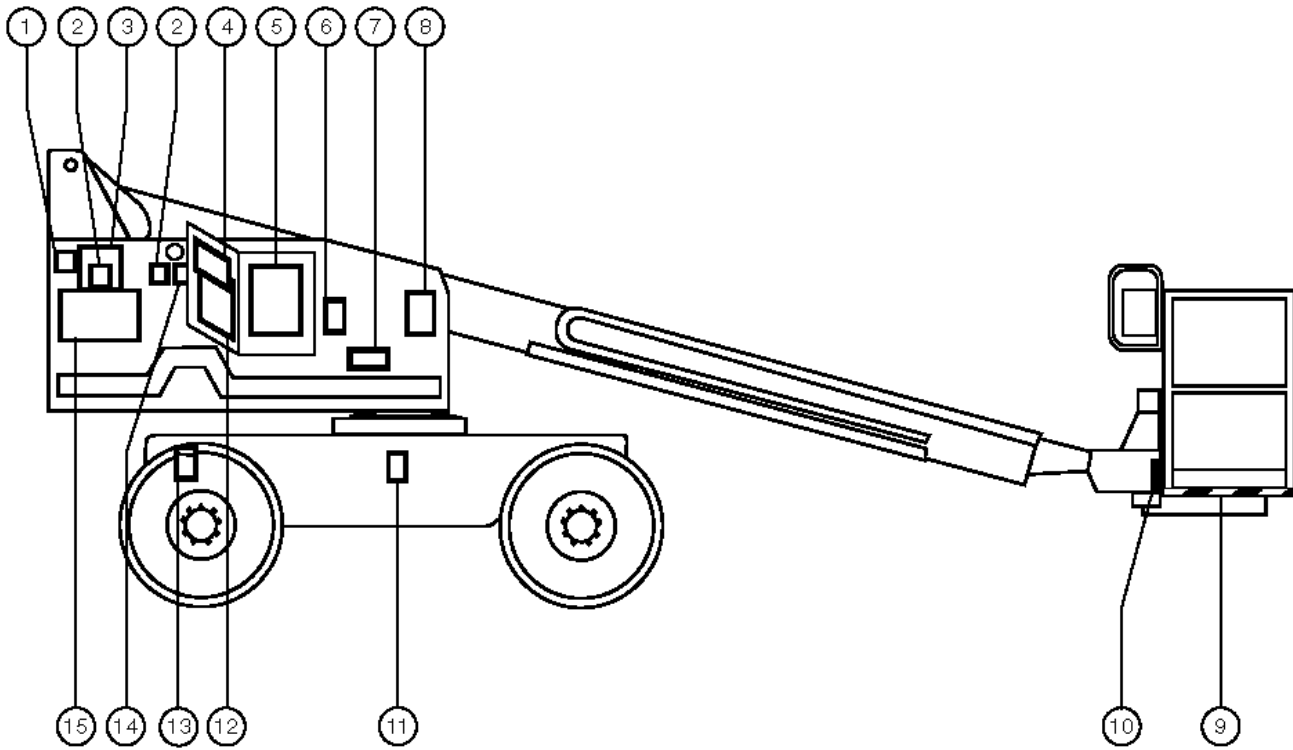
#### South America

Parts Telephone (55) (11) 4082 5600  
 Parts Fax (55) (11) 4082 5630



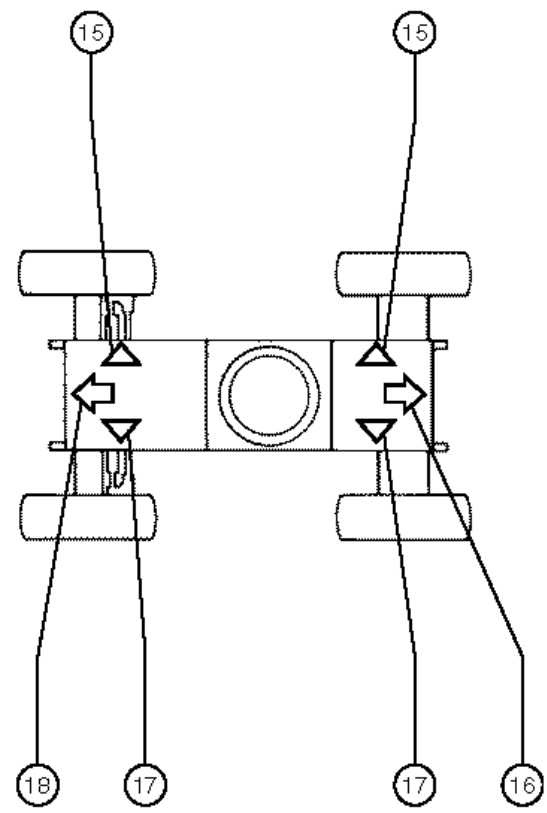
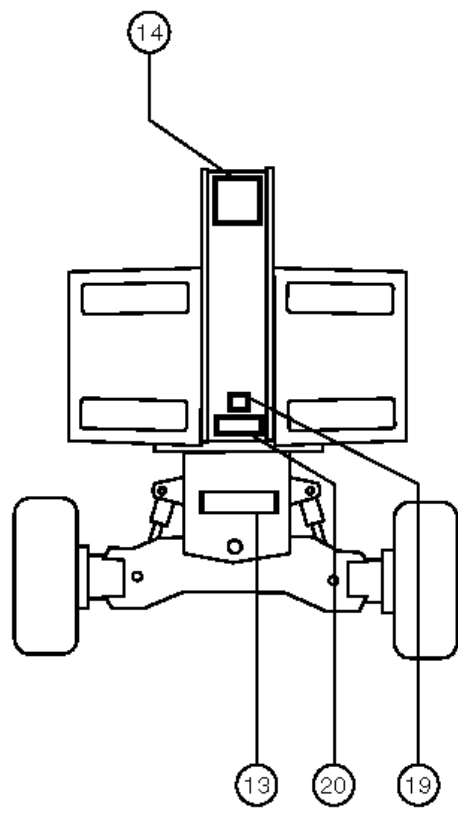
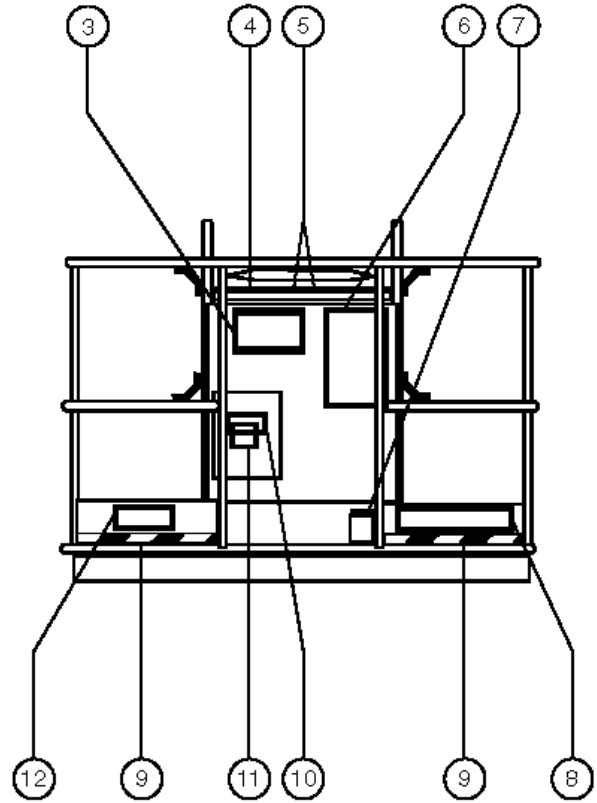
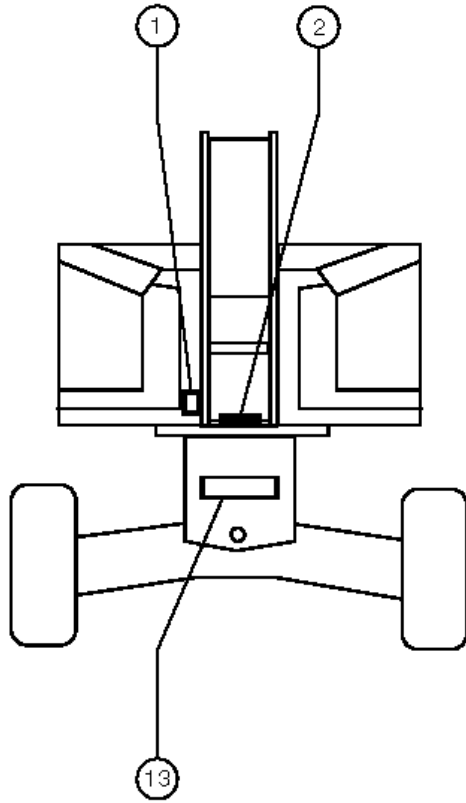


101.1 Decals - View 1



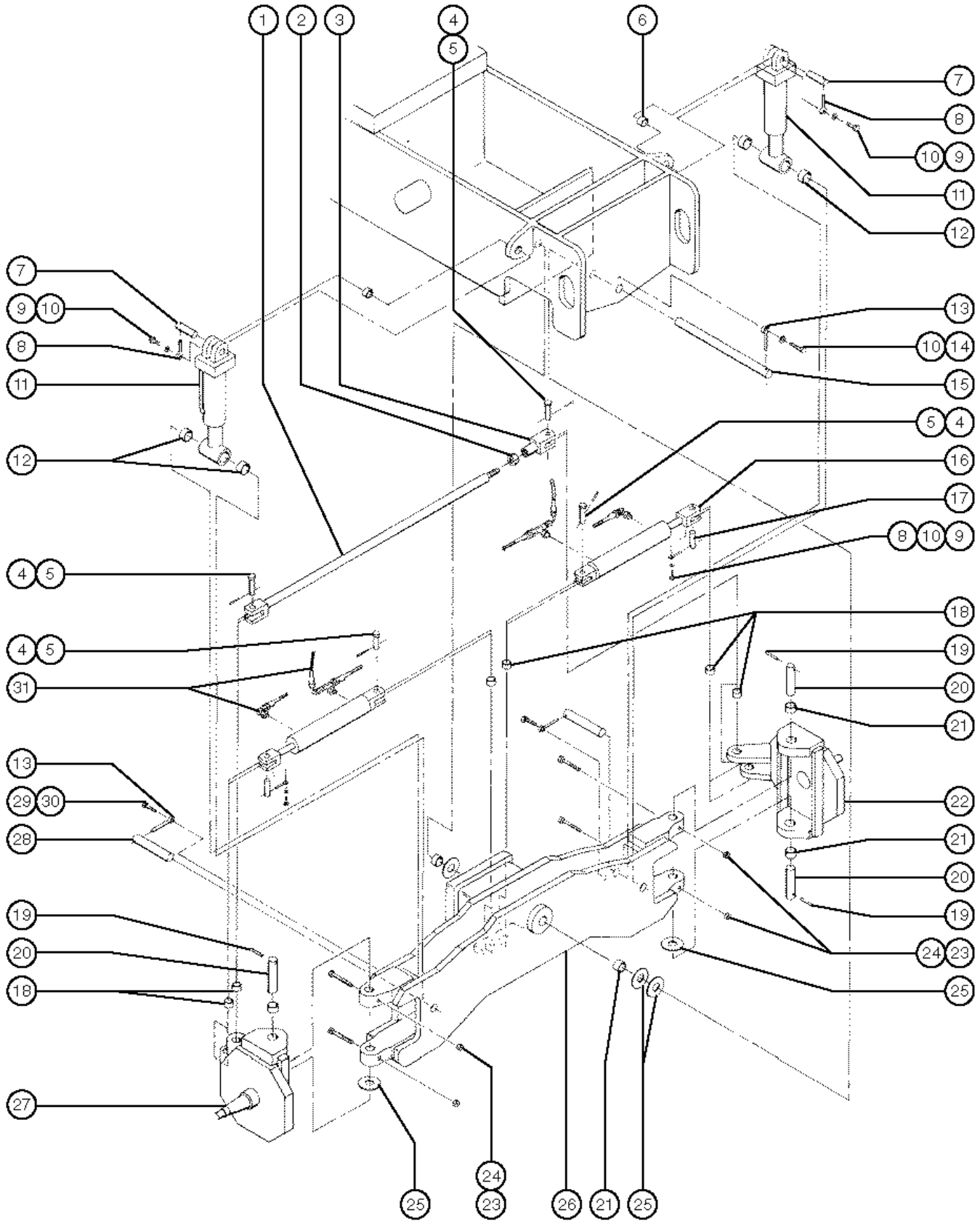
Item	Part No.	Description	Qty.	Item	Part No.	Description	Qty.
--	1268	PAINT,AEROSOL,GENIE GRAY***		19	28164	DECAL,NOTICE,HAZARDOUS MAT'LS*.....	1
--	1484	PAINT,AEROSOL,BRIGHT BLUE***		20	28175	DECAL,COMPARTMENT ACCESS.....	1
--	30998	DECAL KIT,COSMETIC,S40		21	32703	DECAL,NOTICE, LSG ENG SPECS.....	1
--	32150	PAINT,WET,GENIE BLUE (1 GL)**		--	32721	DECAL,NOTICE,DEUTZ ENG SPEC**.....	1
--	32151	PAINT,WET,GENIE GRAY (1 GL)**		22	62072	DECAL,COSMETIC,GENIE S-40.....	1
--	32762	DECAL KIT,SAFETY/INSTR,S-40 <i>does not include index numbers 2, 9, 15, 16, 18, 21</i>		23	32747	DECAL,STRIPES,WHITE, 12".....	1
1	28157	DECAL,USE DEXRON***.....	1				
2	28158	DECAL,LABEL,UNLEADED GAS ONLY..... <i>symbol decal only</i>	2				
--	28159	DECAL,DIESEL.....	2				
3	32744	DECAL,S, BLUE, BLACK.....	2				
4	32702	DECAL,NOTICE,OPERATING INSTRN.....	1				
5	32658	DECAL,GROUND CONTROL PANEL-S40.....	1				
6	25994	DECAL,NOTICE,SHUTOFF VALVES.....	1				
7	27564	DECAL,DANGER,ELEC.HAZ.STAY CLR.....	2				
8	77046	SERIAL # LABEL,MYLAR 4X8***.....	1				
9	33550	TAPE,WARNING,BLK/YEL, 50'*** <i>sold by the roll. 648" per roll.</i>					
10	28177	DECAL,WARN,CRUSH HAZARD PLAT.....	2				
11	32719	DECAL,NOTICE, TIRE PRESSURE.....	2				
12	97890	DECAL,DANGER,GEN SAFETY RULES.....	2				
13	28161	DECAL,WARN,CRUSH HAZARD HAND.....	2				
14	28171	DECAL,DANGER,NO SMOKING***.....	2				
15	30406	DECAL"GENIE 2 WD" WHITE.....	2				
--	30407	DECAL,GENIE 4 WD, WHITE.....	2				
16	28235	DECAL,POWER TO PLATFORM 115V.....	1				
--	28174	DECAL,POWER TO PLATFORM 230V.....	1				
17	28181	DECAL,WARN,FALL HAZARD.....	1				
18	28160	DECAL,LABEL,LIQUID PROPANE.....	1				

102.1 Decals - View 2



Item	Part No.	Description	Qty.	Item	Part No.	Description	Qty.
--	1268	PAINT,AEROSOL,GENIE GRAY***		18	27204	DECAL,ARROW BLUE.....	1
--	1484	PAINT,AEROSOL,BRIGHT BLUE***		19	31060	DECAL,DANGER DO NOT ALTER SWTC.....	1
--	30998	DECAL KIT,COSMETIC,S40		20	27564	DECAL,DANGER,ELEC.HAZ.STAY CLR.....	1
--	32150	PAINT,WET,GENIE BLUE (1 GL)**					
--	32151	PAINT,WET,GENIE GRAY (1 GL)**					
--	32762	DECAL KIT,SAFETY/INSTR,S-40 <i>does not include index numbers 1, 4, 5, 9</i>					
1	28235	DECAL,POWER TO PLATFORM 115V.....	1				
--	28174	DECAL,POWER TO PLATFORM 230V.....	1				
2	28161	DECAL,WARN,CRUSH HAZARD HAND.....	1				
3	32702	DECAL,NOTICE,OPERATING INSTRN.....	1				
4	32657	DECAL,PLATFORM CTRL PANEL ***.....	1				
--	32729	DECAL,PLAT. CTRL, SYMBOLS ONLY.....	1				
--	32755	DECAL,PROTECT,CLEAR,PLAT.S40**.	1				
5	32726	DECAL,OPTION GLOW PLUGS***.....	1				
--	32728	DECAL,OPTION GENERATOR***...	1				
6	97890	DECAL,DANGER,GEN SAFETY RULES.....	2				
7	28165	DECAL,INSTRUCT,FOOTSWITCH OPER.....	1				
8	30080	DECAL,NOTICE,MAX LOAD 500 LBS.....	1				
9	33550	TAPE,WARNING,BLK/YEL, 50****					
10	28236	DECAL,WARN,IMPROPER OPERATION.....	1				
11	28176	DECAL,LABEL,MANUAL NOT HERE.....	1				
12	97887	DECAL,INSTR,MAX SIDE FRC,ANSI.....	1				
13	52968	DECAL,COSMETIC,GENIE BOOM,VERT.....	2				
14	32746	DECAL,GENIE S-40, WHITE,SMALL.....	1				
15	27207	DECAL,TRIANGLE,YELLOW.....	2				
16	27205	DECAL,ARROW YELLOW LRG 9".....	1				
17	27206	DECAL,TRIANGLE,BLUE.....	2				

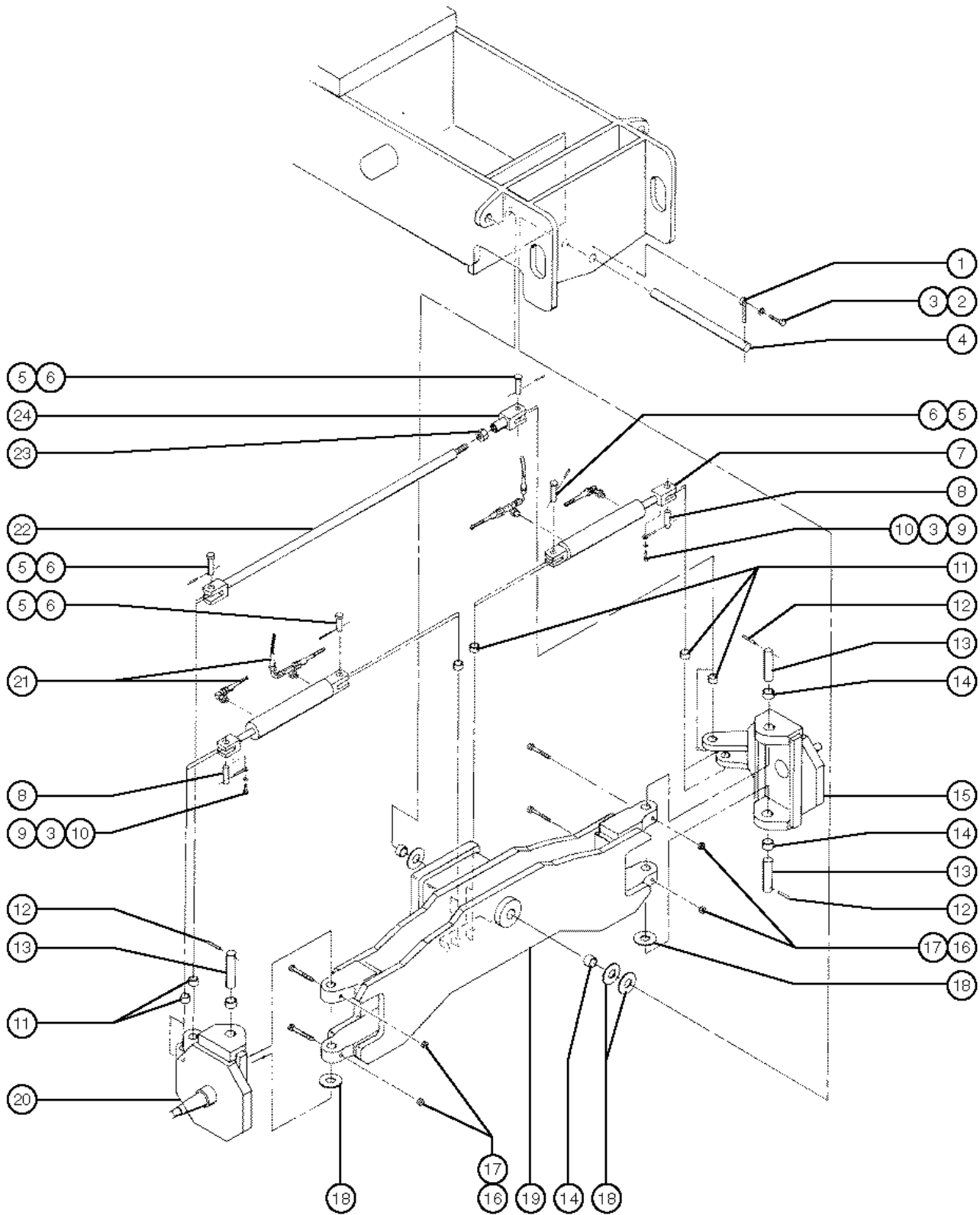
201.1 2WD Steer Axle Linkage - Oscillating



201.1 2WD Steer Axle Linkage - Oscillating

Item	Part No.	Description	Qty.	Item	Part No.	Description	Qty.
1	30747	TIE ROD, WELDMENT.....	1	26	102192-S	WELDMENT,FRT AXLE OSC,ASSY.....	1
2	28352	NUT,HEX,JAM,1-8.....	1			<i>includes 2 each index numbers 18 and 21</i>	
3	23154-S	WELDMENT,ROD END.....	1	27	65516	YOKE ASSEMBLY 2WD S40 RIGHT.....	1
4	19440	PIN,CLEVIS,1 X 2.5 LG.....	4			<i>includes 2 each index numbers 18 and 21</i>	
5	5361	PIN,COTTER,,125 X 1.5.....	4	28	30190	PIN,1.25DIAX7.25LG,1HOLE.....	2
6	30370	BEARING,1.25IDX1.5ODX1.00L....	2	29	5224	SCREW,HHC,3/8-16 X 2.....	2
7	30737	PIN,1.25DIAX3.00LG,1HOLE.....	2	30	4828	NUT,NYLOCK,3/8-16.....	2
8	25284	ROD END,,375 X 2.25***.....	4	31		Ref. Hydraulic Hoses & Fittings (refer to figure 207.1).....	2
9	6175	SCREW,HHC,3/8-16 X 1.....	4				
10	6021	WASHER,LOCK,,375.....	5				
11	89099	OSCILLATE,CYLINDER S40/45.....	2				
--	31078	SEAL KIT,HYDRAULIC CYLINDER***.....	2				
		<i>for hydraulic cylinder number 59102</i>					
--	31106	VALVE,CNTERBAL,CBBB-LHN@3000**.	2				
--	89100	SEAL KIT,OSC.CYL.....	2				
12	59266	BEARING, POLYGON P2055 (59105).....	4				
--	25683	BEARING,POLYGON,20DU12.....	4				
13	45226	ROD END,,375 X 3.69.....	3				
14	6019	SCREW,HHC,3/8-16 X 1.25 GRD 5.....	1				
15	30735	PIN,1.50DIAX17.25LG,1HOLE.....	1				
16	58116	UPDATE KIT STEERING S40/45.....	2				
		<i>must use for first time replacement of hydraulic cylinder number 30585</i>					
--	32673	SEAL KIT (CYL PN 30585)					
--	89065	CYLINDER,STEER***					
--	89066	SEAL KIT,STEER CYL (89065)					
17	30734	PIN,1.00DIAX2.88LG,1HOLE.....	2				
18	25817	BEARING,1.00IDX1.25ODX1.00L....	6				
19	14815	PIN,ROLL,SST,,25 X 2.25.....	4				
20	30736	PIN,1.50 DIA X 4.76 LG.GES1360...4	4				
21	119619	BEARING,1.5IDX1.75ODX1.5L,PTFE.6	6				
22	32738-S	YOKE ASSEMBLY,2WD L.H.,S40.....	1				
		<i>includes 2 each index numbers 18 and 21</i>					
23	6086	NUT,LP NYLOCK,1/2-13.....	4				
24	8220	SCREW,HHC,1/2-13 X 4.....	4				
25	45074	WASHER,THRUST,1.5 X 3.5 X .187.....	5				

202.1 2WD Steer Axle Linkage - Non-oscillating

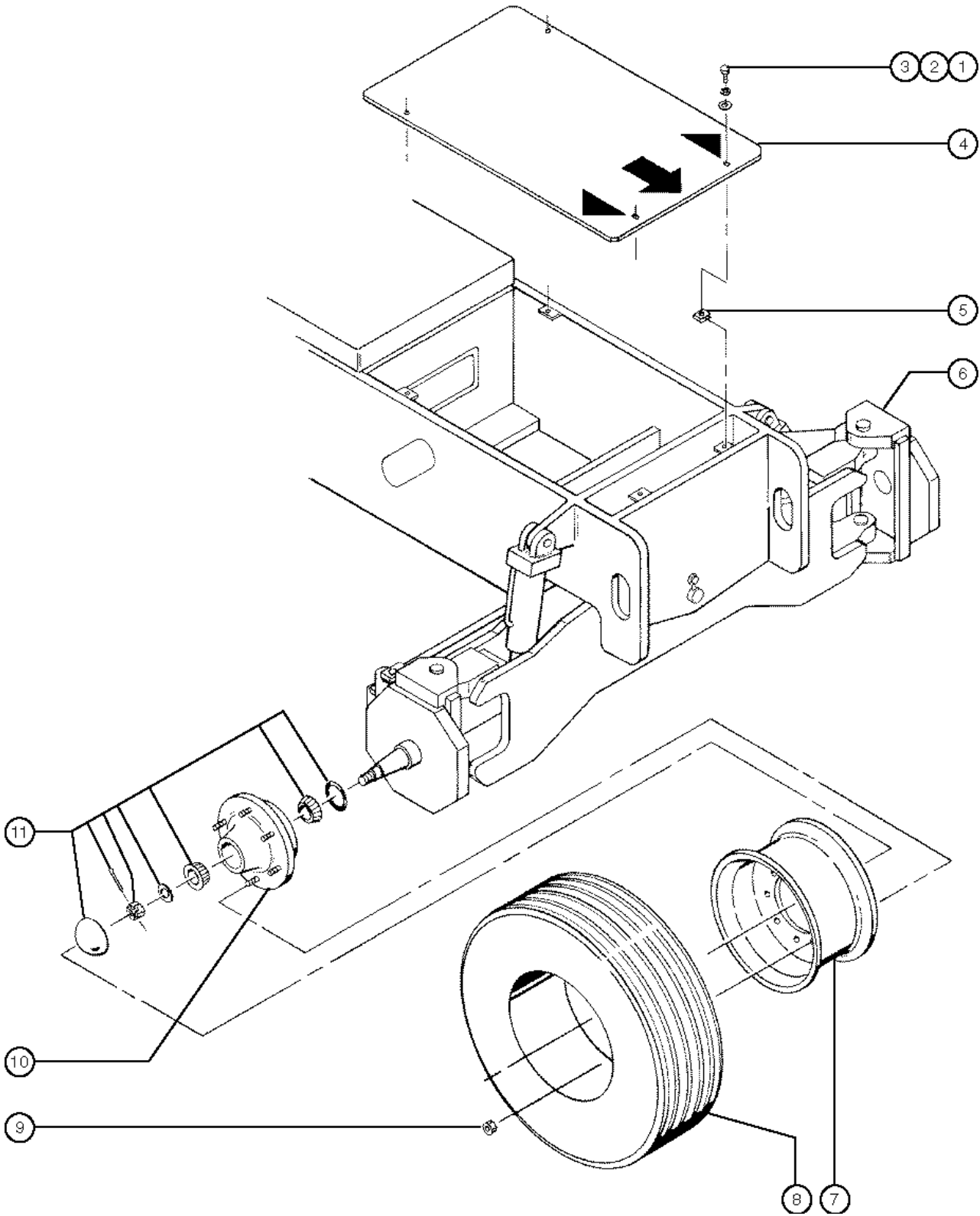




## 202.1 2WD Steer Axle Linkage - Non-oscillating

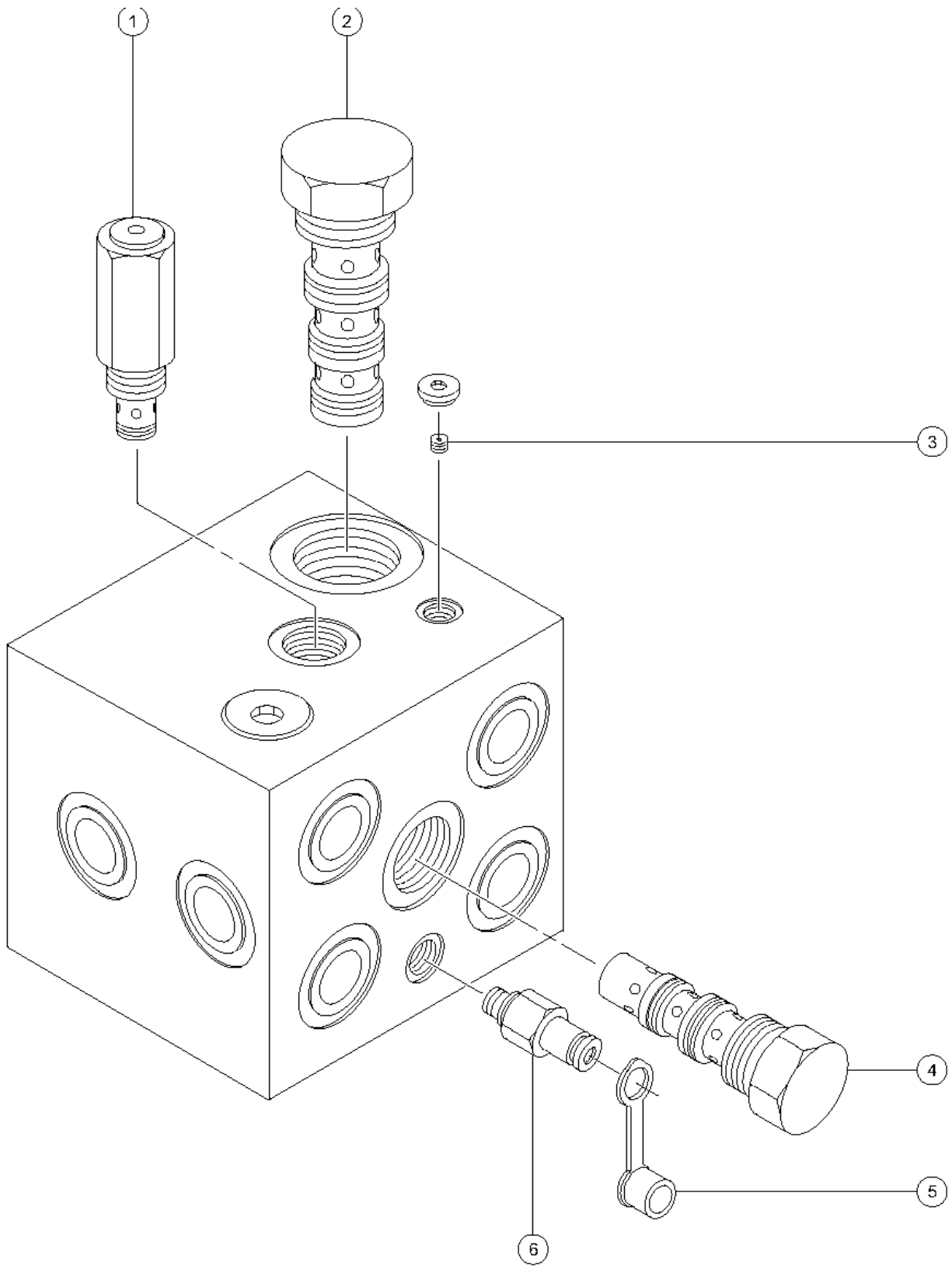
Item	Part No.	Description	Qty.
--		YOKE ASSEMBLY 2WD S40 RIGHT	
1	45226	ROD END,.375 X 3.69.....	1
2	6019	SCREW,HHC,3/8-16 X 1.25 GRD 5.....	1
3	6021	WASHER,LOCK,.375.....	3
4	30735	PIN,1.50DIA X 17.25LG,1HOLE.....	1
5	19440	PIN,CLEVIS,1 X 2.5 LG.....	4
6	5361	PIN,COTTER,.125 X 1.5.....	4
7	58116	UPDATE KIT STEERING S40/45.... <i>must use for first time replacement of hydraulic cylinder number 30585</i>	2
--	32673	SEAL KIT (CYL PN 30585).....	2
--	89065	CYLINDER,STEER*** .....	2
--	89066	SEAL KIT,STEER CYL (89065).....	2
8	30734	PIN,1.00DIA X 2.88LG,1HOLE.....	2
9	6175	SCREW,HHC,3/8-16 X 1.....	2
10	25284	ROD END,.375 X 2.25*** .....	2
11	25817	BEARING,1.00IDX1.25ODX1.00L....	6
12	14815	PIN,ROLL,SST,.25 X 2.25.....	4
13	30736	PIN,1.50 DIA X 4.76 LG.GES1360..	4
14	119619	BEARING,1.5IDX1.75ODX1.5L,PTFE.	6
15	65515	YOKE ASSEMBLY 2WD S40 LEFT..... <i>includes 2 each index numbers 11 and 14</i>	1
16	6086	NUT,LP NYLOCK,1/2-13.....	4
17	8220	SCREW,HHC,1/2-13 X 4.....	4
18	45074	WASHER,THRUST,1.5 X 3.5 X .187.....	5
19	32652	NON-OSCILATING STEER AXLE ASSY..... <i>includes 2 each index numbers 11 and 14</i>	1
20	65516	YOKE ASSEMBLY 2WD S40 RIGHT..... <i>includes 2 each index numbers 11 and 14</i>	1
21		Ref. Hydraulic Hoses & Fittings (refer to figure 208.1).....	1
22	30747	TIE ROD, WELDMENT.....	1
23	28352	NUT,HEX,JAM,1-8.....	1
24	23154-S	WELDMENT,ROD END.....	1

203.1 2WD Steer Axle



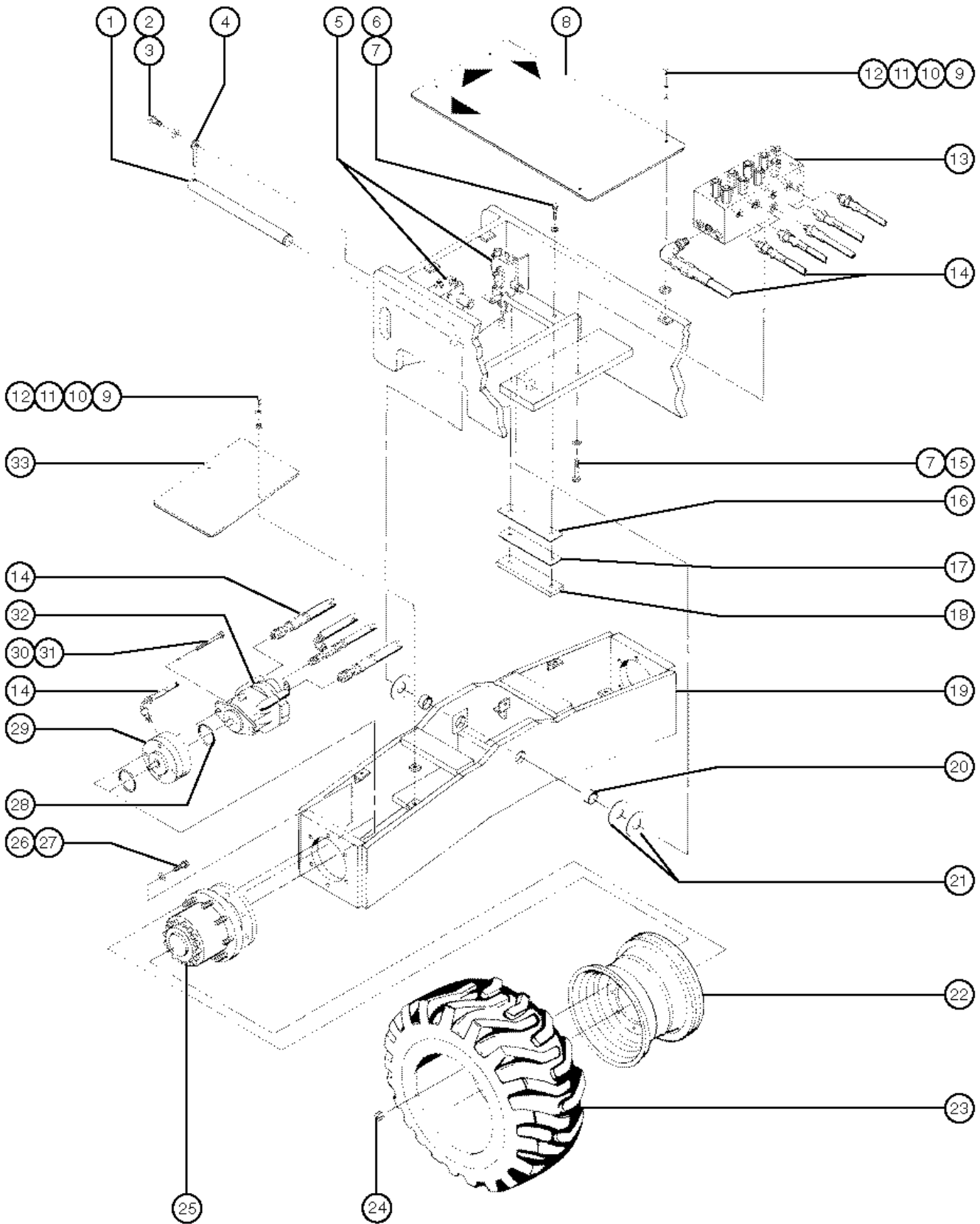
Item	Part No.	Description	Qty.
1	6090	SCREW,HHC,1/4-20 X .75.....	4
2	6356	WASHER,LOCK,.25.....	4
3	6638	WASHER,FLAT,USS,1/4"Y.....	4
4	32676	COVR W/DECLS,DR.CHAS.STR.END.....	1
5	56912	SPRING CLIP,1/4-20,.025-.15X.5.....	4
6		Ref. 2WD Steer Axle Linkage (refer to figures 201.1 OR 202.1)	
7	73199	WHEEL, 16X10.....	2
8A	81492	TIRE & WHEEL ASSY,RH FOAM..... <i>RT, Foam-filled, right</i>	2
8A	81493	TIRE & WHEEL ASSY,LH FOAM..... <i>RT, Foam-filled, left</i>	2
8B	30684	TIRE & WHEEL ASSY,AIR,STEER..... <i>Industrial, Air-filled, Goodyear (includes item 7) (from SN 1 to 134)</i>	2
--	30793	TIRE,12.5L-16SL,12 PLY***** <i>for 30684</i>	
8C	33408	WHEEL&TIRE ASSY,AIR,STEERING..... <i>Industrial, Air-filled, Firestone (includes item 7) (from SN 135 to 830)</i>	2
--	33413	TIRE,12.5L-16 SL,12 PLY**** <i>for 33408</i>	
9	54627	NUT,LUG,5/8-18 X 90 DEGREE,Z45.....	18
10	45043	HUB ASSEMBLY MODEL#60-8.....	2
--	21166	LUG BOLT,5/8-18,WHEEL HUB*** .....	6
		<i>for 45043</i>	
11	45873	SEAL/BEARING KIT (45043,54840).....	2
--	40145	BEARING RACE (LARGE) (45873).....	2
--	40146	BEARING RACE (SMALL) (45873).....	2
--	45107	INNER CONE - MODEL 60-8.....	2
--	45108	OUTER CONE - MODEL 60-8.....	2
--	45110	SEAL-GREASE,MODEL 60-8.....	2
--	45111	CAP,DUST,45873 HUB KIT.....	2
--	45112	WASHER,SPINDLE.....	2
--	45113	NUT,SPINDLE,1-14.....	2
--	45114	PIN,COTTER,.219 X 1.75.....	2

204.1 2WD Drive Manifold



Item	Part No.	Description	Qty.
--	28750	O-RING KIT,FIELD SVC,ALL PROD*	
--	33994	PLUG AND CAP KIT-SERVICE,37ø**	
--	34448	TRACTION MANIFOLD,2WD*** <i>includes index numbers 1 through 4</i>	
--	49612	O-RING KIT (ORFS FITTINGS)	
--	49613	PLUG AND CAP KIT-SERVICE,ORFS*	
1	43597	VALVE,RELIEF,210 PSI.....	1
2	52726	VALVE,FLOW DIVIDER/COMBINER.....	1
3	33520	PLUG,ORIFICE,0.070.....	1
4	27761	VALVE,SHUTTLE.....	1
5	48880	CAP,DIAGNOSTIC NIPPLE.....	1
6	48997	NIPPLE,DIAGNOSTIC,#4 PORT*** .....	1
--	20224	DIAGNOSTIC FEMALE Q-DSCNT.....	1

205.1 2WD Non-steer Axle



205.1 2WD Non-steer Axle

Item	Part No.	Description	Qty.	Item	Part No.	Description	Qty.
1	30735	PIN,1.50DIAX17.25LG,1HOLE.....	1	23B	30548	TIRE & WHEEL ASSY,AIR,RIGHT RT, Air-filled, right; includes item 22	
2	6019	SCREW,HHC,3/8-16 X 1.25 GRD 5.....	1	23B	30549	TIRE & WHEEL ASSY,AIR,LEFT RT, Air-filled, left; includes item 22	
3	6021	WASHER,LOCK,,.375.....	1	--	30667	TIRE,12 X 16.5 8 PLY SGL for 30548, 30549	
4	45226	ROD END,,.375 X 3.69.....	1	24	54627	NUT,LUG,5/8-18 X 90 DEGREE,Z45.....	18
5		Ref. Oscillate Manifolds (refer to figure 2-F, page 2-16).....	1	25	20193	TORQUE HUB,35:1***.....	2
6	8177	SCREW,HHC,1/2-13 X 1.5.....	4	--	21142	SEAL KIT (W1B) TORQUE HUBS....	2
7	6033	WASHER,LOCK,0.5".....	7	--	21143	BEARING KIT (45553) TORQUE HUB.....	2
8	32682	COVR W/DECL,DR.CHAS.NONSTEER....	1	--	21144	CAP,DISENGAGE-45553 TORQUE HUB.....	2
9	6090	SCREW,HHC,1/4-20 X .75.....	8	--	21145	DISCONNECT ROD-45553 TQ.HUB.....	2
10	6356	WASHER,LOCK,,.25.....	8	--	21146	COVER CAP,TORQUE HUB***.....	2
11	6638	WASHER,FLAT,USS,1/4"Y.....	8	--	21148	WASHER,THRUST,TORQUE HUB.....	2
12	56912	SPRING CLIP,1/4-20,.025-.15X.5....	8	--	21149	LUG,WHEEL STUD,5/8-18,W1/4HB**.....	2
13		Ref. 2WD Drive Manifold (refer to figure 2-D, page 2-10).....	1	--	37097	O-RING, TORQUE HUB.....	2
14		Ref. Hydraulic Hoses & Fittings (refer to figure 2-G or 2-H, page 2-18 or 2-22).....	1	--	58438	KIT,COVER,TORQUE HUB,45553***.....	2
15	10597	SCREW,HHC,1/2-13 X 1.25 GR5....	3	--	58589	THRUST CAP (20193)	
16	30808	SHIM,AXLE ROTATION STOP.....	3	26	45066	SCREW,SHC,5/8-11 X 2.25.....	12
		1		27	13064	WASHER,FLAT,.625 HARDENED.....	12
17	30809	SHIM,AXLE ROTATION STOP,22 GA.....	4	28	22811	O-RING,MOTOR TO BRAKE***.....	4
		1		28	52087	O-RING,2-044 BUNA***	
18	30690	BAR,AXLE ROTATION STOP,OSC.....	2	29	41912	BRAKE,MICO,1200 IN/LB***.....	2
		<i>oscillating models</i>				<i>includes 1 each of index number 28</i>	
--	30691	BAR,AXLE ROTATION STOP,NON-OSC.....	2	--	29291	SEAL KIT,MICO.....	2
		<i>non-oscillating models</i>		--	29292	BRAKE,LINING KIT,MICO.....	2
19	32653	NON-STEER AXLE ASSY,S40.....	1	--	29293	BEARING KIT,MICO.....	2
		<i>includes 2 each index number 20</i>		--	41918	LINING KIT,MICO BRAKE.....	2
20	18396	BEARING,1.5IDX1.75ODX1.0L.....	2	--	41921	SEAL KIT,BRAKE,MICO.....	2
21	45074	WASHER,THRUST,1.5 X 3.5 X .187.....	3	--	41922	BEARING KIT,BRAKE,MICO.....	2
22	122348	WHEEL, 16.5 X 9.75 S40.....	2	--	72319	SPRING (RED) MICO For 41912; 8 required per brake	
23A	30814	TIRE & WHEEL ASSY.RIGHT,FOAM.....	1	30	7261	SCREW,HHC,1/2-13 X 5 BLACK....	4
		<i>RT, Foam-filled, right</i>		31	13066	WASHER,FLAT,.5 HARDENED.....	4
23A	30815	TIRE & WHEEL ASSY.LEFT,FOAM.....	1				
		<i>RT, Foam-filled, left</i>					

205.1 2WD Non-steer Axle  
(continued)

Item	Part No.	Description	Qty.
32	41398	MOTOR, HYDRAULIC, AXIAL PORTS*** .....	2
--	22811	O-RING, MOTOR TO BRAKE*** .....	2
--	32680	SEAL KIT, SUNSTRAND .....	2
33	30802P	COVER, NON-STEER AXLE "BLUE" .....	2

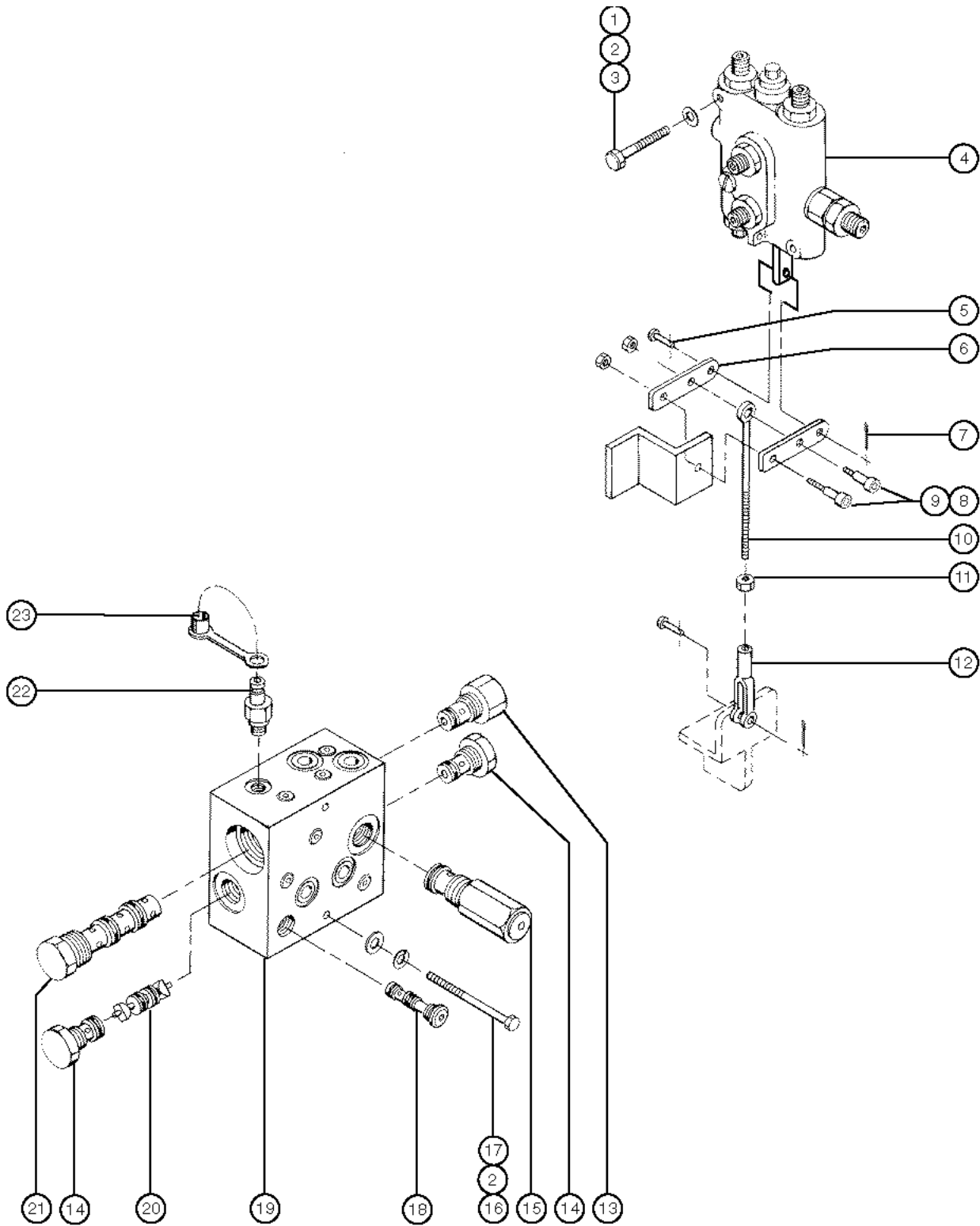
**Footnotes**

1: Quantity listed for this item is approximate.  
Refer to Genie S-40 Service Manual for details.



*This Page Intentionally Left Blank*

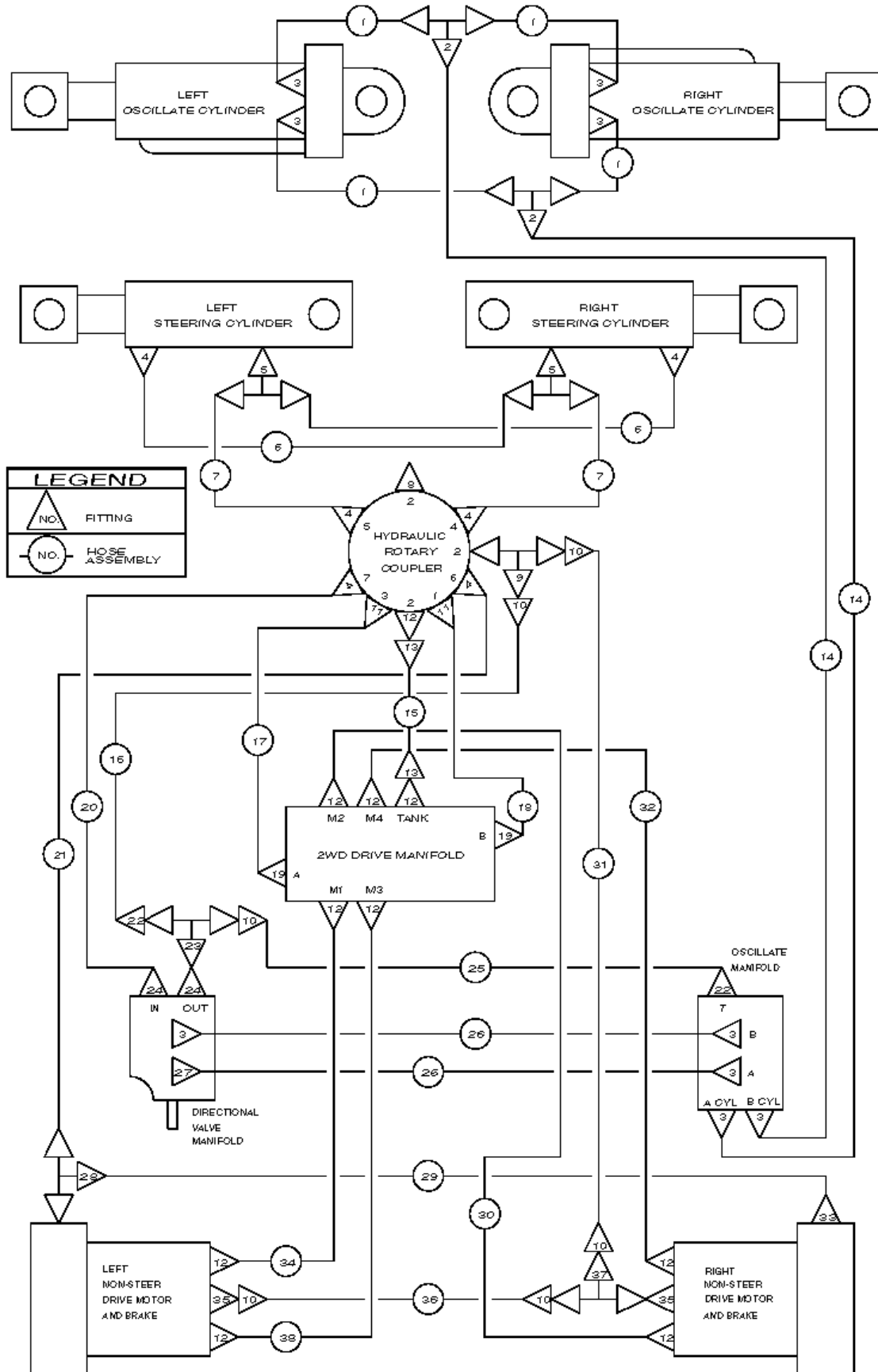
206.1 2WD Oscillate Manifolds



## 206.1 2WD Oscillate Manifolds

Item	Part No.	Description	Qty.
1	6884	SCREW,HHC,1/4-20 X 2.5.....	2
2	6638	WASHER,FLAT,USS,1/4"Y.....	4
3	6091	NUT,NYLOCK,1/4-20.....	4
4	30558	VLV,MAN,3 POS/4 WAY,OPEN CTR.....	1
--	32681	SEAL KIT,CONTROL VALVE.....	1
5	6584	SCREW,SHS,10-24 X .625.....	1
6	30884	OSCILLATE VALVE LINKAGE.....	2
7	2161	PIN,COTTER,.063 X 1.....	1
8	6584	SCREW,SHS,10-24 X .625.....	2
9	5365	NUT,NYLOCK,10-24.....	3
10	30885	LINKAGE ROD.....	1
11	21496	NUT,HEX,1/4-28.....	1
12	21130	CLEVIS YOKE-1/4-28,PLTD W/PIN..... <i>includes clevis pin and cotter pin</i>	1
13	27532	VALVE,DIFFERENTIAL SENSING.....	1
14	32725	VALVE,CHECK (30797).....	2
15	27531	VALVE,PILOT OPERATED.....	1
16	12343	SCREW,HHC,1/4-20 X 3.....	2
17	6356	WASHER,LOCK,.25.....	2
18	45483	VALVE,SHUTTLE***.....	1
19	30797	MANIFOLD,OSCILLATION..... <i>includes index numbers 12-14, 17-20</i>	1
--	25375	SEAL KIT (ALL MANIFOLDS).....	1
20	32724	PISTON (30797).....	1
21	32723	VALVE,SHUTTLE (30797).....	1
22	48997	NIPPLE,DIAGNOSTIC,#4 PORT***.....	1
--	20224	DIAGNOSTIC FEMALE Q-DSCNT.....	1
23	48880	CAP,DIAGNOSTIC NIPPLE.....	1

207.1 2WD Hydraulic Hoses and Fittings - Oscillating Axle



LEGEND	
	FITTING
	HOSE ASSEMBLY

207.1 2WD Hydraulic Hoses and Fittings - Oscillating Axle

Item	Part No.	Description	Qty.	Item	Part No.	Description	Qty.
1	30837	HOSE ASSEMBLY,25"..... 1	4	26	30839	HOSE ASSEMBLY,15"..... 6	2
2	34727	TEE,UNION,070401-6.....	2	27	45411	ELBOW,070320-6-6.....	1
3	45412	CONNECTOR,070120-6-6.....	9	28	23802	TEE,RUN,070428-4-4.....	1
4	13120	ELBOW,070220-6-6.....	6	29	30846	HOSE ASSEMBLY,61"..... 7	1
5	45705	TEE,BRANCH,070429-6-6.....	2	30	30956	HOSE ASSEMBLY,57".....	1
6	30849	HOSE ASSEMBLY,22.5"..... 1	2	31	30954	HOSE ASSEMBLY,66"..... 8	1
7	30850	HOSE ASSEMBLY,64.5"..... 2	2	32	30957	HOSE ASSEMBLY,61"..... 8	1
8	28452	PLUG,HEX HEAD,090109A-8.....	1	33	13921	ELBOW,070220-4-4.....	1
9	20334	TEE,RUN,070428-8.....	1	34	30841	HOSE ASSEMBLY,34.5"..... 8	1
10	20324	HOSE END,BARBED,SWIVEL,-8-8.....	6	35	22665	CONNECTOR,070120-8-10.....	2
11	45350	ELBOW,070320-12-12.....	2	36	30848	HOSE ASSEMBLY,43"..... 8	1
12	19687	CONNECTOR,070120-12-12.....	10	37	21252	TEE,RUN,070432-8.....	1
13	45170	HOSE END,BARBED,SWIVEL,-12-12.....	2	38	30842	HOSE ASSEMBLY,40.5"..... 8	1
14	30838	HOSE ASSEMBLY,108".....	2				
15	30847	HOSE ASSEMBLY,19".....	1				
16	30834	HOSE ASSEMBLY,55".....	1				
17	30843	HOSE ASSEMBLY,25".....	1				
18	30955	HOSE ASSEMBLY,23".....	1				
19	20925	ELBOW,070220-12-12.....	2				
20	30835	HOSE ASSEMBLY,56".....	1				
21	30845	HOSE ASSEMBLY,75".....	1				
22	28597	HOSE END,BARBED,SWIVEL,90DEG-8....	2				
23	20328	TEE,BRANCH,070433-8.....	1				
24	20923	CONNECTOR,070120-8-6.....	2				
25	30836	HOSE ASSEMBLY,10.5"..... 6	1				

207.1 2WD Hydraulic Hoses and Fittings - Oscillating Axle  
(continued)

Item	Part No.	Description	Qty.
------	----------	-------------	------

**Footnotes**

**1:** Hose End - Female JIC Swivel, 6-6 (Synflex 3903-06546), Hose End - Female JIC Swivel, 6-6 (Synflex 3903-06546) & Hose - 3/8" Thermoplastic Medium Pressure (Synflex 3130-06)

**2:** Hose End - Female JIC Swivel, 6-6 (Synflex 3903-06546), Hose End - 90o Female JIC Swivel, 6-6 (Synflex 3903-06646) & Hose - 3/8" Thermoplastic Medium Pressure (Synflex 3130-06)

**3:** Hose - 3/4" Push On (Weatherhead H20112)

**4:** Hose - 1/2" Push On (Weatherhead H20108)

**5:** Hose End - Female JIC Swivel, 12-12 (Weatherhead 43012E-612), Hose End - Female JIC Swivel, 12-12 (Weatherhead 43012E-612) & Hose - 3/4" 4 Spiral High Pressure (Weatherhead H43012)

**6:** Hose End - 90o Female JIC Swivel, 4-4 (Synflex 3903-04644), Hose End - Female JIC Swivel, 6-4 (Synflex 3903-06544) & Hose - 1/4" Thermoplastic Medium Pressure (Synflex 3130-04)

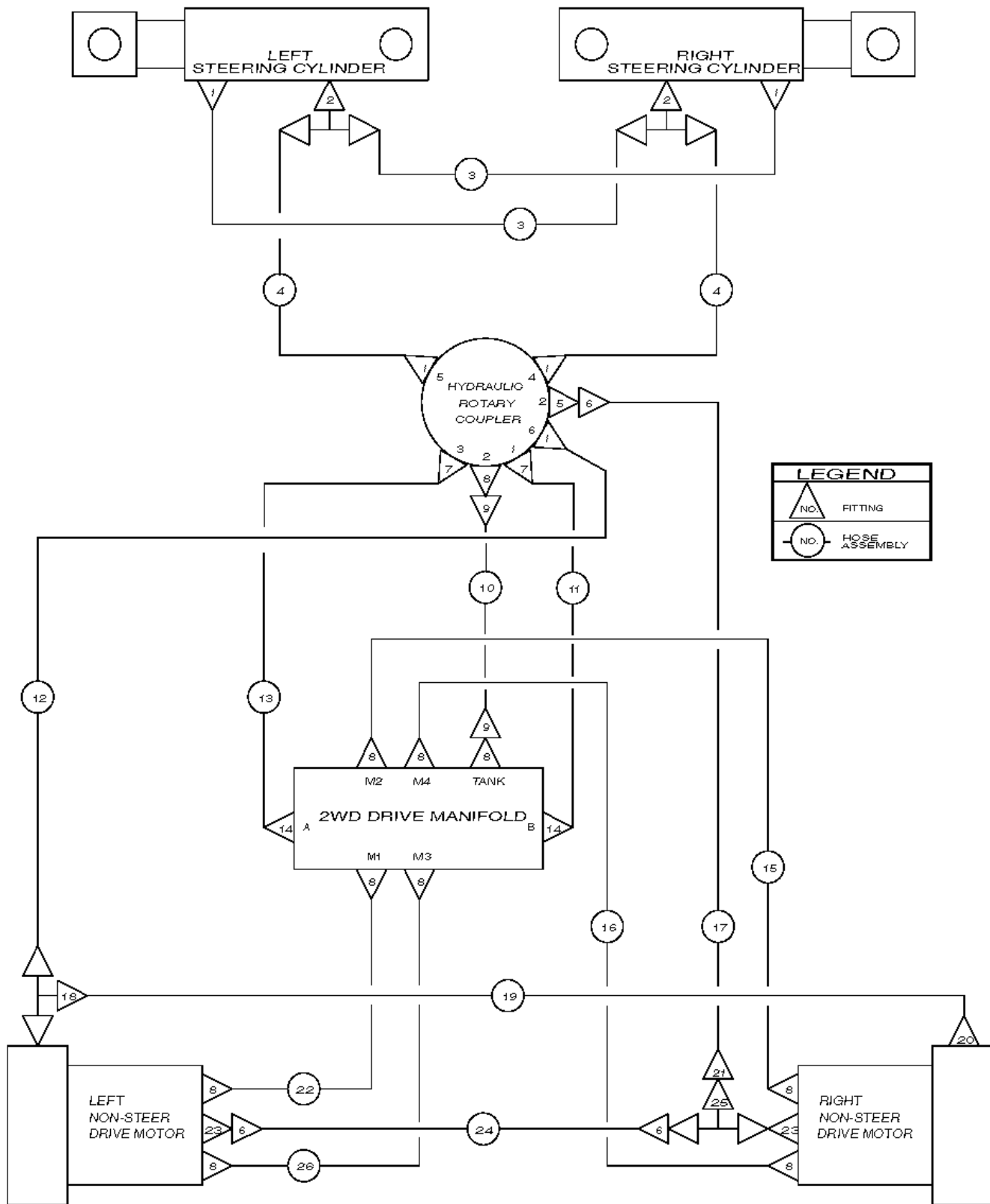
**7:** Hose End - Female JIC Swivel, 4-4 (Synflex 3903-04544), Hose End - Female JIC Swivel, 4-4 (Synflex 3903-04544) & Hose - 1/4" Thermoplastic Medium Pressure (Synflex 3130-04)

**8:** Hose End - Female JIC Swivel, 12-12 (Weatherhead 43012E-612), Hose End - 90o Female JIC Swivel, 12-12 (Weatherhead 43012E-672) & Hose - 3/4" 4 Spiral High Pressure (Weatherhead H43012)

207.1 2WD Hydraulic Hoses and Fittings - Oscillating Axle  
(continued)

*This Page Intentionally Left Blank*

208.1 2WD Hydraulic Hoses and Fittings - Non-oscillating Axle





208.1 2WD Hydraulic Hoses and Fittings - Non-oscillating Axle

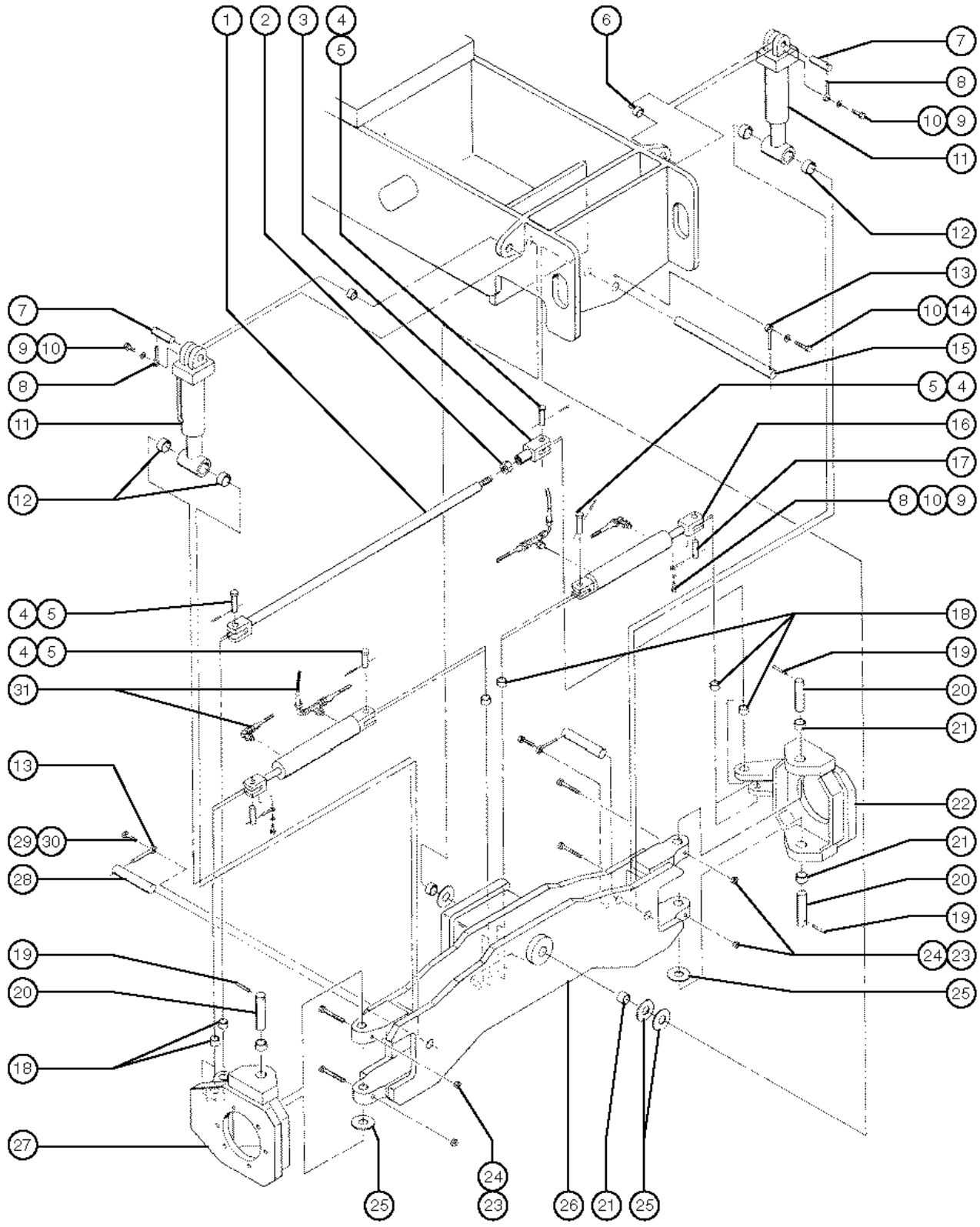
Item	Part No.	Description	Qty.
1	13120	ELBOW,070220-6-6.....	5
2	45705	TEE,BRANCH,070429-6-6.....	2
3	30849	HOSE ASSEMBLY,22.5".....	2
		<b>1</b>	
4	30850	HOSE ASSEMBLY,64.5".....	2
		<b>2</b>	
5	45703	CONNECTOR,070120-8-8.....	1
6	20324	HOSE END,BARBED,SWIVEL,-8-8.....	3
7	45350	ELBOW,070320-12-12.....	2
8	19687	CONNECTOR,070120-12-12.....	10
9	45170	HOSE END,BARBED,SWIVEL,-12-12.....	2
10	30847	HOSE ASSEMBLY,19".....	1
		<b>3</b>	
11	30955	HOSE ASSEMBLY,23".....	1
		<b>4</b>	
12	30845	HOSE ASSEMBLY,75".....	1
		<b>5</b>	
13	30843	HOSE ASSEMBLY,25".....	1
		<b>5</b>	
14	20925	ELBOW,070220-12-12.....	2
15	30957	HOSE ASSEMBLY,61".....	1
		<b>6</b>	
16	30956	HOSE ASSEMBLY,57".....	1
		<b>6</b>	
17	30954	HOSE ASSEMBLY,66".....	1
		<b>7</b>	
18	23802	TEE,RUN,070428-4-4.....	1
19	30846	HOSE ASSEMBLY,61".....	1
		<b>8</b>	
20	13921	ELBOW,070220-4-4.....	1
21	28597	HOSE END,BARBED,SWIVEL,90DEG-8....	1
22	30841	HOSE ASSEMBLY,34.5".....	1
		<b>8</b>	
23	22665	CONNECTOR,070120-8-10.....	2
24	30848	HOSE ASSEMBLY,43".....	1
		<b>8</b>	

Item	Part No.	Description	Qty.
25	21252	TEE,RUN,070432-8.....	1
26	30842	HOSE ASSEMBLY,40.5".....	1
		<b>8</b>	

**Footnotes**

- 1:** Hose End - Female JIC Swivel, 6-6 (Synflex 3903-06546), Hose End - Female JIC Swivel, 6-6 (Synflex 3903-06546) & Hose - 3/8" Thermoplastic Medium Pressure (Synflex 3130-06)
- 2:** Hose End - Female JIC Swivel, 6-6 (Synflex 3903-06546), Hose End - 90o Female JIC Swivel, 6-6 (Synflex 3903-06646) & Hose - 3/8" Thermoplastic Medium Pressure (Synflex 3130-06)
- 3:** Hose - 3/4" Push On (Weatherhead H20112)
- 4:** Hose End - Female JIC Swivel, 12-12 (Weatherhead 43012E-612), Hose End - Female JIC Swivel, 12-12 (Weatherhead 43012E-612) & Hose - 3/4" 4 Spiral High Pressure (Weatherhead H43012)
- 5:** Hose End - 90o Female JIC Swivel, 4-4 JIC (Synflex 3903-04644), Hose End - Female JIC Swivel, 6-4 (Synflex 3903-06544) & Hose - 1/4" Thermoplastic Medium Pressure (Synflex 3130-04)
- 6:** Hose End - Female JIC Swivel, 12-12 (Weatherhead 43012E-612), Hose End - 90o Female JIC Swivel, 12-12 (Weatherhead 43012E-672) & Hose - 3/4" 4 Spiral High Pressure (Weatherhead H43012)
- 7:** Hose - 1/2" Push On (Weatherhead H20108)
- 8:** Hose End - Female JIC Swivel, 4-4 (Synflex 3903-04544), Hose End - Female JIC Swivel, 4-4 (Synflex 3903-04544) & Hose - 1/4" Thermoplastic Medium Pressure (Synflex 3130-04)

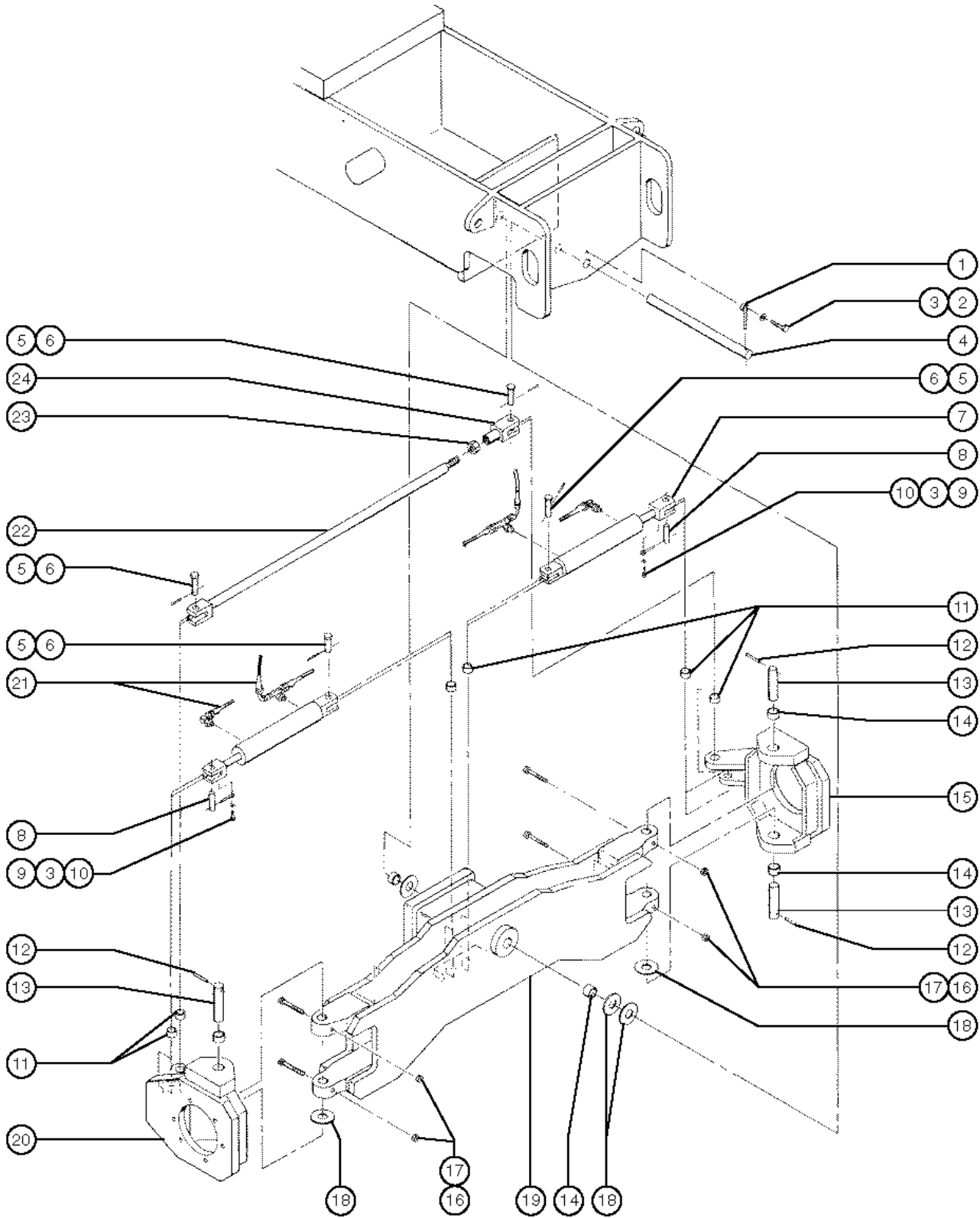
301.1 4WD Steer Axle Linkage - Oscillating



301.1 4WD Steer Axle Linkage - Oscillating

Item	Part No.	Description	Qty.	Item	Part No.	Description	Qty.
1	30747-S	TIE ROD, WELDMENT.....	1	26	102192-S	WELDMENT,FRT AXLE OSC,ASSY.....	1 <i>includes 2 each index numbers 18 and 21</i>
2	28352	NUT,HEX,JAM,1-8.....	1	27	32284	YOKE ASSY,4WD,R.S.,S40.....	1 <i>includes 2 each index numbers 18 and 21</i>
3	23154-S	WELDMENT,ROD END.....	1	28	30190	PIN,1.25DIAX7.25LG,1HOLE.....	2
4	19440	PIN,CLEVIS,1 X 2.5 LG.....	4	29	5224	SCREW,HHC,3/8-16 X 2.....	2
5	5361	PIN,COTTER,,125 X 1.5.....	4	30	4828	NUT,NYLOCK,3/8-16.....	2
6	30370	BEARING,1.25IDX1.5ODX1.00L....	2	31		Ref. Hydraulic Hoses & Fittings (refer to figure 3-G, page 3-18).....	2
7	30737	PIN,1.25DIAX3.00LG,1HOLE.....	2				
8	25284	ROD END,,375 X 2.25***.....	4				
9	6175	SCREW,HHC,3/8-16 X 1.....	4				
10	6021	WASHER,LOCK,,375.....	5				
11	89099	OSCILLATE,CYLINDER S40/45.....	2 <i>includes 2 each index number 12</i>				
--	31078	SEAL KIT,HYDRAULIC CYLINDER***.....	2				
--	31106	VALVE,CNTERBAL,CBBB-LHN@3000**.	2				
--	89100	SEAL KIT,OSC.CYL.....	2				
12	59266	BEARING, POLYGON P2055 (59105).....	4				
--	25683	BEARING,POLYGON,20DU12.....	4				
13	45226	ROD END,,375 X 3.69.....	3				
14	6019	SCREW,HHC,3/8-16 X 1.25 GRD 5.....	1				
15	30735	PIN,1.50DIAX17.25LG,1HOLE.....	1				
16	58116	UPDATE KIT STEERING S40/45.....	2 <i>must use for first time replacement of hydraulic cylinder number 30585</i>				
--	32673	SEAL KIT (CYL PN 30585).....	2				
--	89065	CYLINDER,STEER***.....	2				
--	89066	SEAL KIT,STEER CYL (89065).....	2				
17	30734	PIN,1.00DIAX2.88LG,1HOLE.....	2				
18	25817	BEARING,1.00IDX1.25ODX1.00L....	6				
19	14815	PIN,ROLL,SST,,25 X 2.25.....	4				
20	30736	PIN,1.50 DIA X 4.76 LG.GES1360..	4				
21	119619	BEARING,1.5IDX1.75ODX1.5L,PTFE.	6				
22	32285	YOKE ASSY,4WD,L.S.,S40.....	1 <i>includes 2 each index numbers 18 and 21</i>				
23	6086	NUT,LP NYLOCK,1/2-13.....	4				
24	8220	SCREW,HHC,1/2-13 X 4.....	4				
25	45074	WASHER,THRUST,1.5 X 3.5 X .187.....	5				

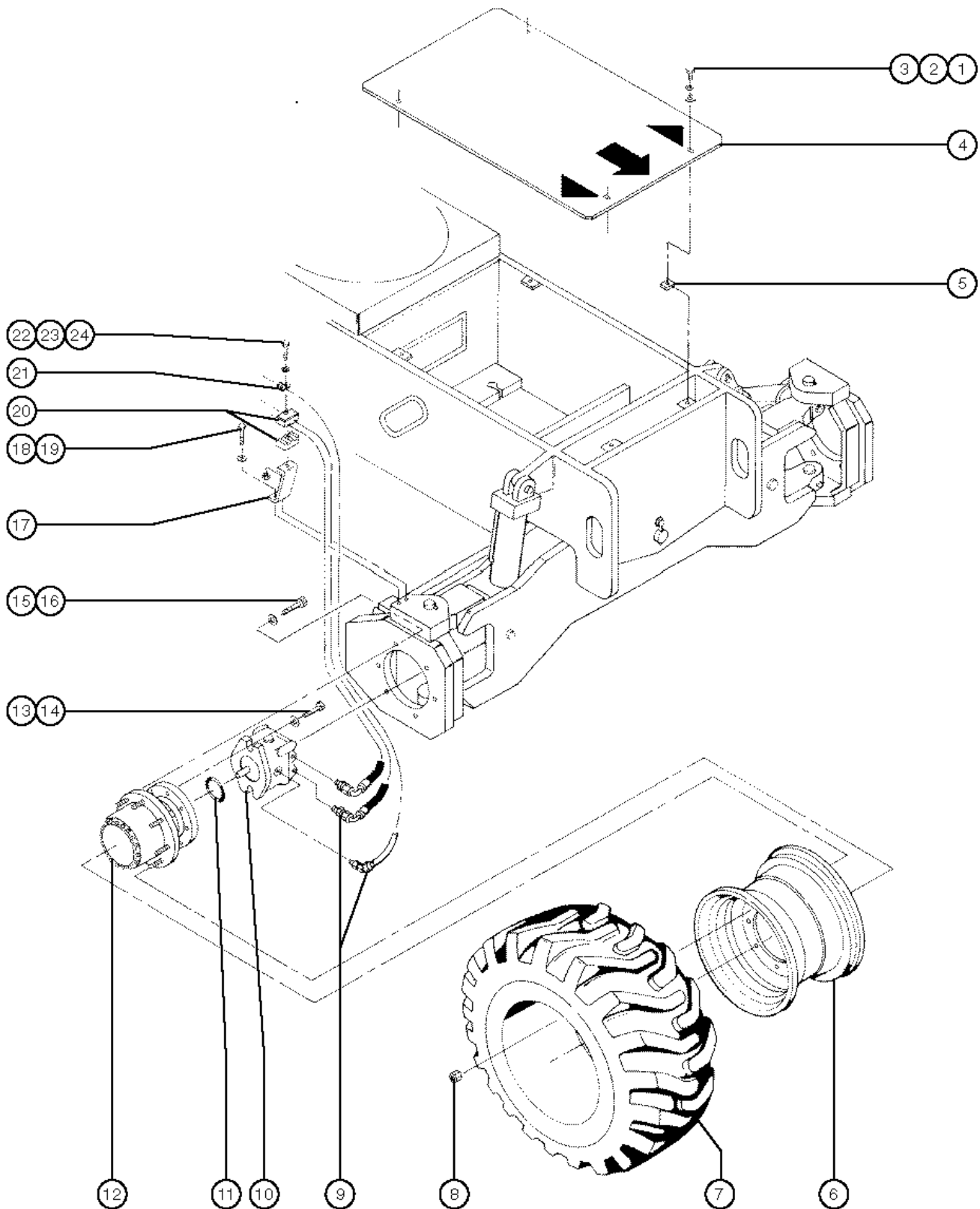
302.1 4WD Steer Axle Linkage - Non-oscillaging



## 302.1 4WD Steer Axle Linkage - Non-oscillaging

Item	Part No.	Description	Qty.
1	45226	ROD END,.375 X 3.69.....	1
2	6019	SCREW,HHC,3/8-16 X 1.25 GRD 5.....	1
3	6021	WASHER,LOCK,.375.....	3
4	30735	PIN,1.50DIAX17.25LG,1HOLE.....	1
5	19440	PIN,CLEVIS,1 X 2.5 LG.....	4
6	5361	PIN,COTTER,.125 X 1.5.....	4
7	58116	UPDATE KIT STEERING S40/45..... <i>must use for first time replacement of hydraulic cylinder number 30585</i>	2
--	32673	SEAL KIT (CYL PN 30585).....	2
--	89065	CYLINDER,STEER*** .....	2
--	89066	SEAL KIT,STEER CYL (89065).....	2
8	30734	PIN,1.00DIAX2.88LG,1HOLE.....	2
9	6175	SCREW,HHC,3/8-16 X 1.....	2
10	25284	ROD END,.375 X 2.25***.....	2
11	25817	BEARING,1.00IDX1.25ODX1.00L....	6
12	14815	PIN,ROLL,SST,.25 X 2.25.....	4
13	30736	PIN,1.50 DIA X 4.76 LG.GES1360...4	4
14	119619	BEARING,1.5IDX1.75ODX1.5L,PTFE.6	6
15	32285	YOKE ASSY,4WD,L.S.,S40..... <i>includes 2 each index numbers 11 and 14</i>	1
16	6086	NUT,LP NYLOCK,1/2-13.....	4
17	8220	SCREW,HHC,1/2-13 X 4.....	4
18	45074	WASHER,THRUST,1.5 X 3.5 X .187.....	5
19	32652	NON-OSCILATING STEER AXLE ASSY..... <i>includes 2 each index numbers 11 and 14</i>	1
20	32284	YOKE ASSY,4WD,R.S.,S40..... <i>includes 2 each index numbers 11 and 14</i>	1
21		Ref. Hydraulic Hoses & Fittings (refer to figure 3-H, page 3-22).....	1
22	30747	TIE ROD, WELDMENT.....	1
23	28352	NUT,HEX,JAM,1-8.....	1
24	23154-S	WELDMENT,ROD END.....	1

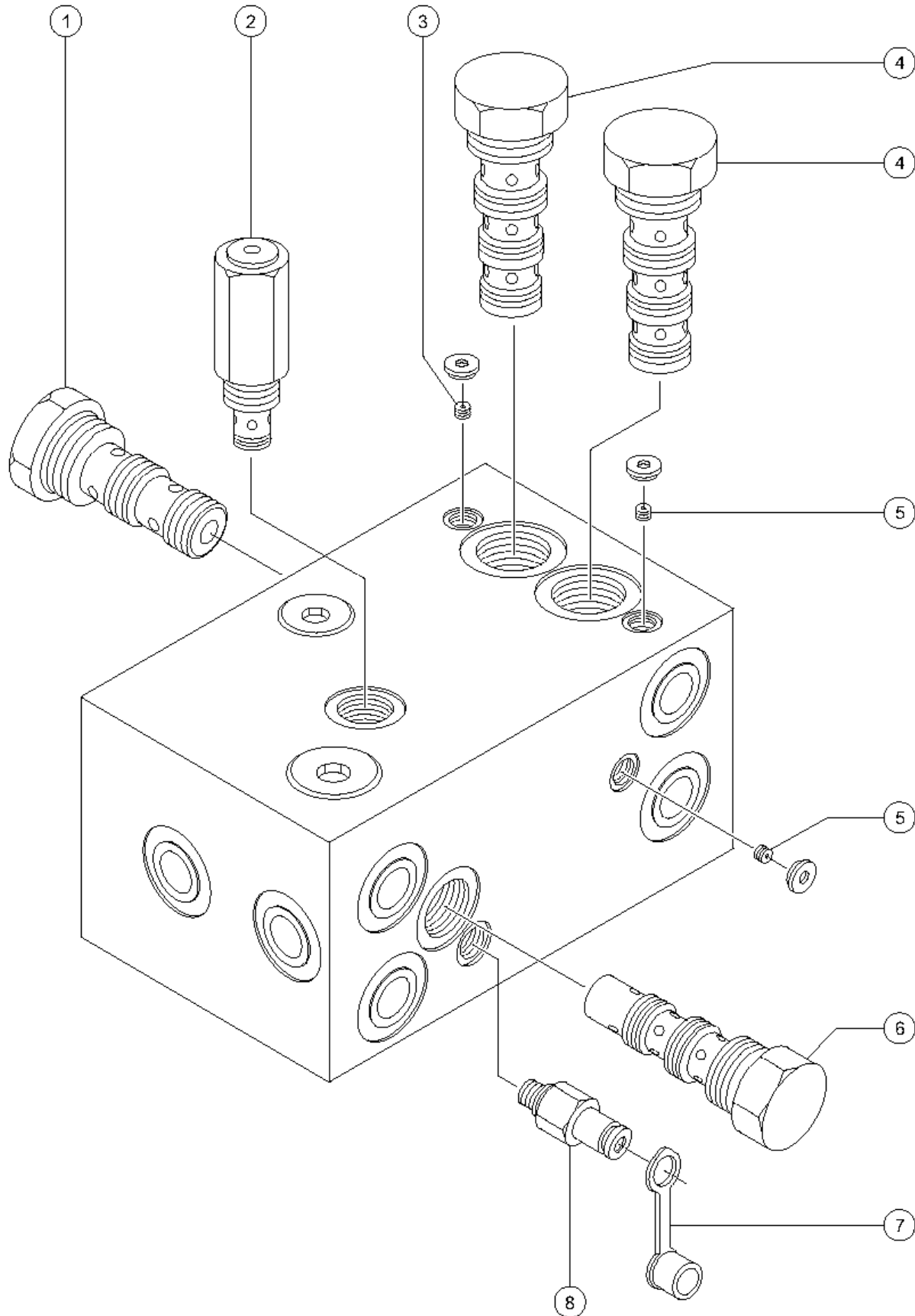
303.1 4WD Steer Axle Wheel Drive



303.1 4WD Steer Axle Wheel Drive

Item	Part No.	Description	Qty.	Item	Part No.	Description	Qty.
1	6090	SCREW,HHC,1/4-20 X .75.....	4	14	13066	WASHER,FLAT,.5 HARDENED.....	4
2	6356	WASHER,LOCK,.25.....	4	15	45066	SCREW,SHC,5/8-11 X 2.25.....	12
3	6638	WASHER,FLAT,USS,1/4"Y.....	4	16	13064	WASHER,FLAT,.625 HARDENED.....	12
4	32676	COVR W/DECLS,DR.CHAS.STR.END.....	1	17	30889P	BRACKET,YOKE HOSE MNT,PAINTD.....	2
5	56912	SPRING CLIP,1/4-20,.025-.15X.5.....	4	18	8255	SCREW,HHC,3/8-16 X .75.....	4
6	122348	WHEEL, 16.5 X 9.75 S40.....	2	19	6021	WASHER,LOCK,.375.....	4
7	30667	TIRE,12 X 16.5 8 PLY SGL.....	2	20	25964	CLAMP,DUAL HOSE.....	2
--	30548	TIRE & WHEEL ASSY,AIR,RIGHT.....	2	21	45454	CLAMP,RUB CUSH,0.75,#12 X 3/8*.....	2
--	30549	TIRE & WHEEL ASSY,AIR,LEFT....	2	22	18505	5/16-18 X 2.25 LG.FLG.LCK.SCRW.....	2
--	30814	TIRE & WHEEL ASSY.RIGHT,FOAM.....	2	23	5397	WASHER,FLAT,USS,5/16",Y.....	2
--	30815	TIRE & WHEEL ASSY.LEFT,FOAM.....	2	24	6782	NUT,NYLOCK,5/16-18.....	2
8	54627	NUT,LUG,5/8-18 X 90 DEGREE,Z45.....	18				
9		Ref. Hydraulic Hoses & Fittings (refer to figures 307.1 or 308.1, pages)....	18				
10	33432	MOTOR,HYD,25CC FIXED***.....	2				
--	32675	SEAL KIT,SUNSTRAND.....	2				
11	52087	O-RING,2-044 BUNA***.....	2				
--	22811	O-RING,MOTOR TO BRAKE***.....	2				
12	45553	TORQUE HUB SERIES 1-18.25:1...2	2				
--	21142	SEAL KIT (W1B) TORQUE HUBS...2	2				
--	21143	BEARING KIT (45553) TORQUE HUB.....	2				
--	21144	CAP,DISENGAGE-45553 TORQUE HUB.....	2				
--	21145	DISCONNECT ROD-45553 TQ.HUB.....	2				
--	21146	COVER CAP,TORQUE HUB***.....	2				
--	21148	WASHER,THRUST,TORQUE HUB.....	2				
--	21149	LUG,WHEEL STUD,5/8-18,W1/4HB**.....	2				
--	37097	O-RING, TORQUE HUB.....	2				
--	58438	KIT,COVER,TORQUE HUB,45553***.....	2				
--	58448	KIT,TORQUE HUB COVER (45553)**.....	2				
13	111389	SCREW,HHC,1/2-13 X 1, GR 8.....	4				

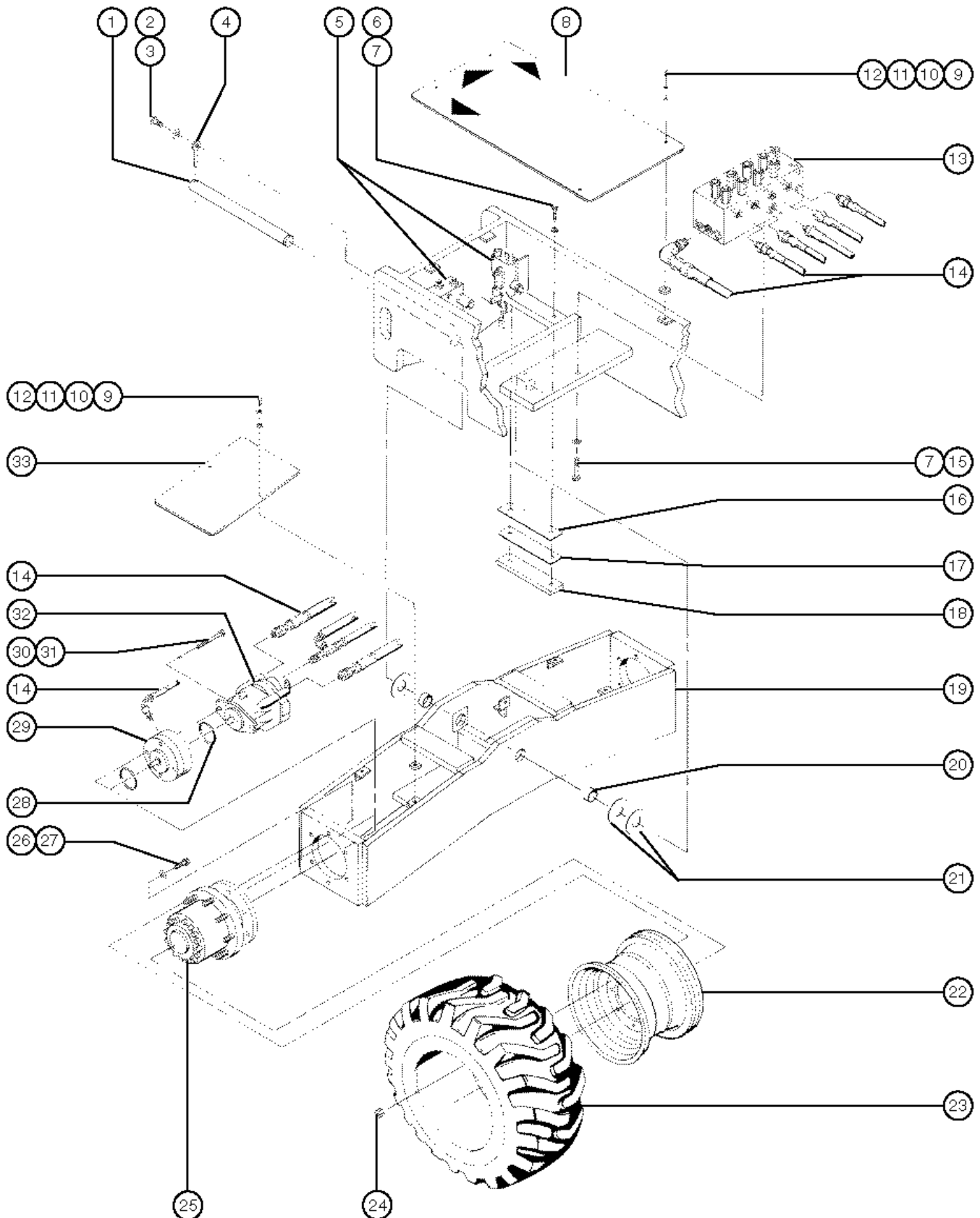
304.1 4WD Drive Manifold





Item	Part No.	Description	Qty.
--	28750	O-RING KIT,FIELD SVC,ALL PROD*	
--	33994	PLUG AND CAP KIT-SERVICE,37ø**	
--	34447	MANIFOLD,TRACTN,4WD,(S)SERIES* <i>includes index numbers 1 through 6</i>	
--	49612	O-RING KIT (ORFS FITTINGS)	
--	49613	PLUG AND CAP KIT-SERVICE,ORFS*	
1	33521	VALVE,FLOW DIVIDER/COMBINER.....	1
2	31406	VALVE,RELIEF 250 PSI*** .....	1
3	29737	PLUG,ORIFICE,0.052 INCH.....	1
4	52726	VALVE,FLOW DIVIDER/COMBINER.....	2
5	33520	PLUG,ORIFICE,0.070.....	2
6	27761	VALVE,SHUTTLE.....	1
7	48880	CAP,DIAGNOSTIC NIPPLE.....	1
8	48997	NIPPLE,DIAGNOSTIC,#4 PORT*** .....	1
--	20224	DIAGNOSTIC FEMALE Q-DSCNT.....	1

305.1 4WD Non-steer Axle



305.1 4WD Non-steer Axle

Item	Part No.	Description	Qty.	Item	Part No.	Description	Qty.
1	30735	PIN,1.50DIAX17.25LG,1HOLE.....	1	--	30815	TIRE & WHEEL ASSY.LEFT,FOAM.....	2
2	6019	SCREW,HHC,3/8-16 X 1.25 GRD 5.....	1	24	54627	NUT,LUG,5/8-18 X 90 DEGREE,Z45.....	18
3	6021	WASHER,LOCK,,.375.....	1	25	20193	TORQUE HUB,35:1***.....	2
4	45226	ROD END,,.375 X 3.69.....	1	--	21142	SEAL KIT (W1B) TORQUE HUBS....	2
5		Ref. Oscillate Manifolds (refer to figure 3-F, page 3-16).....	1	--	21143	BEARING KIT (45553) TORQUE HUB.....	2
6	8177	SCREW,HHC,1/2-13 X 1.5.....	4	--	21144	CAP,DISENGAGE-45553 TORQUE HUB.....	2
7	6033	WASHER,LOCK,0.5".....	7	--	21145	DISCONNECT ROD-45553 TQ.HUB.....	2
8	32682	COVR W/DECL,DR.CHAS.NONSTEER....	1	--	21146	COVER CAP,TORQUE HUB***.....	2
9	6090	SCREW,HHC,1/4-20 X .75.....	8	--	21148	WASHER,THRUST,TORQUE HUB.....	2
10	6356	WASHER,LOCK,,.25.....	8	--	21149	LUG,WHEEL STUD,5/8-18,W1/4HB**.....	2
11	6638	WASHER,FLAT,USS,1/4"Y.....	8	--	37097	O-RING, TORQUE HUB.....	2
12	56912	SPRING CLIP,1/4-20,.025-.15X.5....	8	--	58438	KIT,COVER,TORQUE HUB,45553***.....	2
13		Ref. 2WD Drive Manifold (refer to figure 304.1).....	1	26	45066	SCREW,SHC,5/8-11 X 2.25.....	12
14		Ref. Hydraulic Hoses & Fittings (refer to figure 307.1 or 308.1).....	1	27	13064	WASHER,FLAT,.625 HARDENED.....	12
15	10597	SCREW,HHC,1/2-13 X 1.25 GR5....	3	28	52087	O-RING,2-044 BUNA***.....	4
16	30808	SHIM,AXLE ROTATION STOP.....	3	29	41912	BRAKE,MICO,1200 IN/LB***.....	2
17	30809	SHIM,AXLE ROTATION STOP,22 GA.....	4	--	29291	SEAL KIT,MICO.....	2
18	30690	BAR,AXLE ROTATION STOP,OSC.....	2	--	29292	BRAKE,LINING KIT,MICO.....	2
--	30691	BAR,AXLE ROTATION STOP,NON-OSC.....	2	--	29293	BEARING KIT,MICO.....	2
19	32653	NON-STEER AXLE ASSY,S40.....	1	--	41918	LINING KIT,MICO BRAKE.....	2
20	18396	BEARING,1.5IDX1.75ODX1.0L.....	2	--	41921	SEAL KIT,BRAKE,MICO.....	2
21	45074	WASHER,THRUST,1.5 X 3.5 X .187.....	3	--	41922	BEARING KIT,BRAKE,MICO.....	2
22	122348	WHEEL, 16.5 X 9.75 S40.....	2	--	72319	SPRING (RED) MICO for 72319; 8 required per brake	
23	30667	TIRE,12 X 16.5 8 PLY SGL.....	2	30	7261	SCREW,HHC,1/2-13 X 5 BLACK....	4
--	30548	TIRE & WHEEL ASSY,AIR,RIGHT.....	2	31	13066	WASHER,FLAT,.5 HARDENED.....	4
--	30549	TIRE & WHEEL ASSY,AIR,LEFT....	2	32	41398	MOTOR,HYDRAULIC,AXIAL PORTS***.....	2
--	30814	TIRE & WHEEL ASSY.RIGHT,FOAM.....	2	--	22811	O-RING,MOTOR TO BRAKE***.....	2
				--	32680	SEAL KIT,SUNSTRAND.....	2

305.1 4WD Non-steer Axle  
(continued)

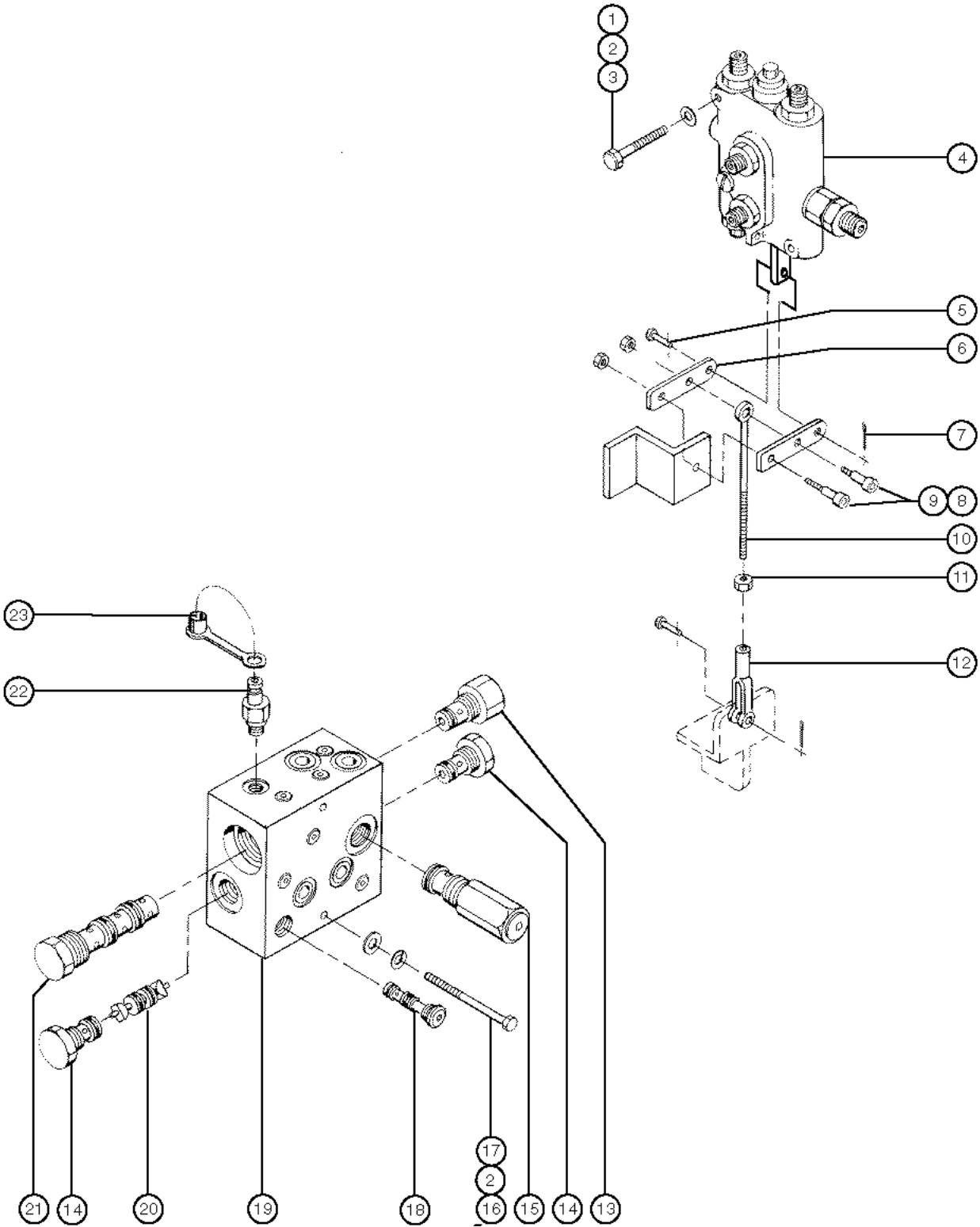
Item	Part No.	Description	Qty.
33	30802P	COVER, NON-STEER AXLE "BLUE" .....	2

**Footnotes**

1: Quantity listed for this item is approximate.  
Refer to Genie S-40 Service Manual for  
details.

*This Page Intentionally Left Blank*

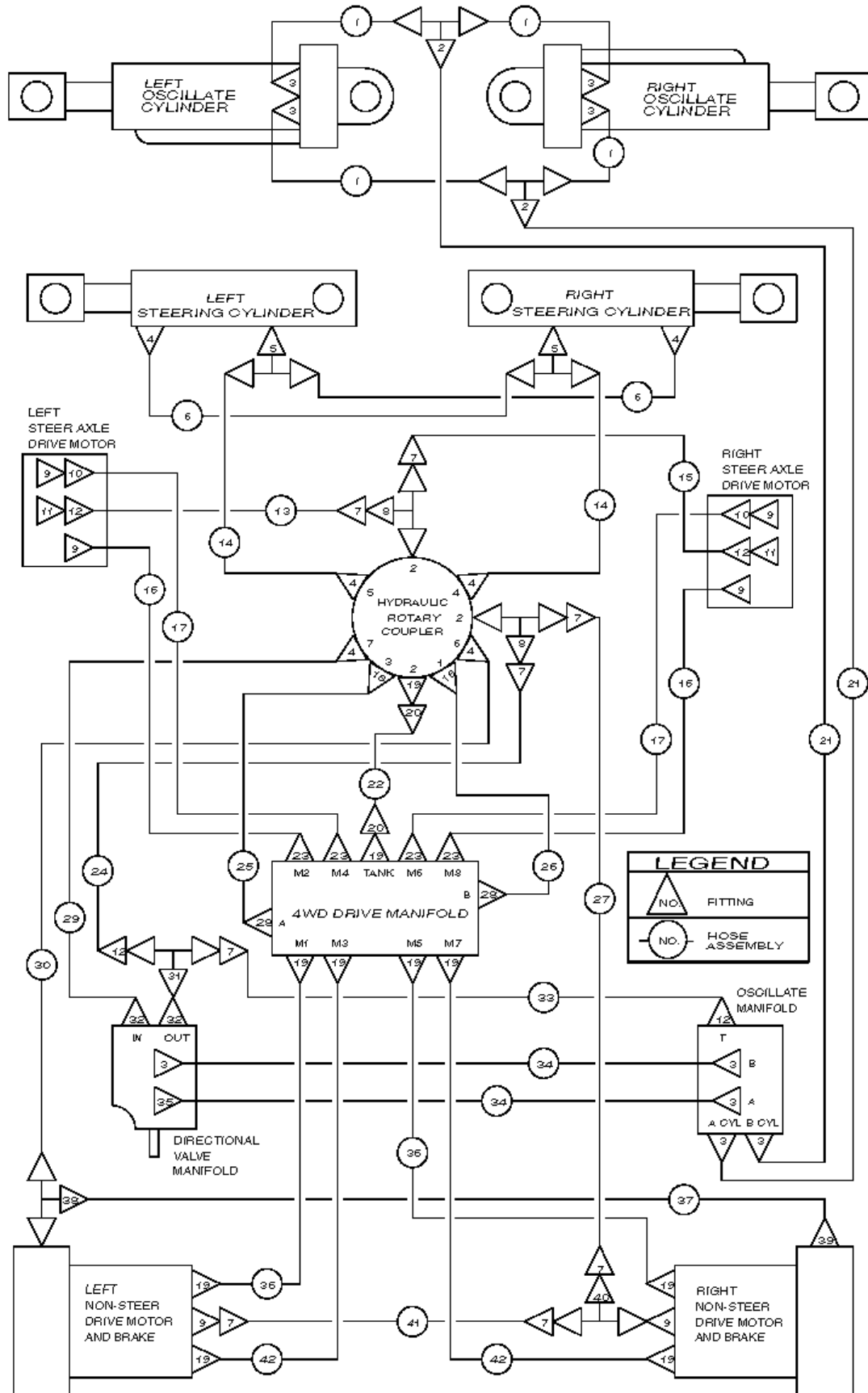
306.1 Oscillate Manifolds



## 306.1 Oscillate Manifolds

Item	Part No.	Description	Qty.
1	6884	SCREW,HHC,1/4-20 X 2.5.....	2
2	6638	WASHER,FLAT,USS,1/4"Y.....	4
3	6091	NUT,NYLOCK,1/4-20.....	4
4	30558	VLV,MAN,3 POS/4 WAY,OPEN CTR.....	1
--	32681	SEAL KIT,CONTROL VALVE.....	1
5	6584	SCREW,SHS,10-24 X .625.....	1
6	30884	OSCILLATE VALVE LINKAGE.....	2
7	2161	PIN,COTTER,.063 X 1.....	1
8	6584	SCREW,SHS,10-24 X .625.....	2
9	5365	NUT,NYLOCK,10-24.....	1
10	30885	LINKAGE ROD.....	1
11	21496	NUT,HEX,1/4-28.....	1
12	21130	CLEVIS YOKE-1/4-28,PLTD W/PIN..... <i>includes clevis pin</i>	1
13	27532	VALVE,DIFFERENTIAL SENSING.....	1
14	32725	VALVE,CHECK (30797).....	2
15	27531	VALVE,PILOT OPERATED.....	1
16	12343	SCREW,HHC,1/4-20 X 3.....	2
17	6356	WASHER,LOCK,.25.....	2
18	45483	VALVE,SHUTTLE***.....	1
19	30797	MANIFOLD,OSCILLATION..... <i>includes index numbers 12-14, 17-20</i>	1
--	25375	SEAL KIT (ALL MANIFOLDS).....	1
20	32724	PISTON (30797).....	1
21	32723	VALVE,SHUTTLE (30797).....	1
22	48997	NIPPLE,DIAGNOSTIC,#4 PORT***.....	1
--	48880	CAP,DIAGNOSTIC NIPPLE.....	1
23	48880	CAP,DIAGNOSTIC NIPPLE.....	1

307.1 4WD Hydraulic Hoses and Fittings - Oscillating Axle





307.1 4WD Hydraulic Hoses and Fittings - Oscillating Axle

Item	Part No.	Description	Qty.	Item	Part No.	Description	Qty.
1	30837	HOSE ASSEMBLY,25"..... 1	4	26	30843	HOSE ASSEMBLY,25"..... 7	1
2	34727	TEE,UNION,070401-6.....	2	27	30954	HOSE ASSEMBLY,66"..... 7	1
3	45412	CONNECTOR,070120-6-6.....	9	28	20925	ELBOW,070220-12-12.....	2
4	13120	ELBOW,070220-6-6.....	6	29	30835	HOSE ASSEMBLY,56"..... 7	1
5	45705	TEE,BRANCH,070429-6-6.....	2	30	30845	HOSE ASSEMBLY,75"..... 8	1
6	30849	HOSE ASSEMBLY,22.5"..... 1	2	31	20328	TEE,BRANCH,070433-8.....	1
7	20324	HOSE END,BARBED,SWIVEL,-8-8.....	8	32	20923	CONNECTOR,070120-8-6.....	2
8	20334	TEE,RUN,070428-8.....	2	33	30836	HOSE ASSEMBLY,10.5"..... 8	1
9	22665	CONNECTOR,070120-8-10.....	6	34	30839	HOSE ASSEMBLY,15"..... 8	2
10	30970	ELBOW,90DEG.SWIV.SWEEP-8-8..	2	35	45411	ELBOW,070320-6-6.....	1
11	45349	ELBOW,070320-8-8.....	2	36	30841	HOSE ASSEMBLY,34.5"..... 8	2
12	28597	HOSE END,BARBED,SWIVEL,90DEG-8....	4	37	30846	HOSE ASSEMBLY,61"..... 9	1
13	30827	HOSE ASSEMBLY,80"..... 2	1	38	23802	TEE,RUN,070428-4-4.....	1
14	30850	HOSE ASSEMBLY,64.5"..... 3	2	39	13921	ELBOW,070220-4-4.....	1
15	30828	HOSE ASSEMBLY,85.5"..... 3	1	40	21252	TEE,RUN,070432-8.....	1
16	30826	HOSE ASSEMBLY,98"..... 4	2	41	30848	HOSE ASSEMBLY,43"..... 9	1
17	30825	HOSE ASSEMBLY,98"..... 5	2	42	30842	HOSE ASSEMBLY,40.5"..... 9	2
18	45350	ELBOW,070320-12-12.....	2				
19	19687	CONNECTOR,070120-12-12.....	10				
20	45170	HOSE END,BARBED,SWIVEL,-12-12.....	2				
21	30838	HOSE ASSEMBLY,108"..... 5	2				
22	30847	HOSE ASSEMBLY,19"..... 6	1				
23	27431	CONNECTOR,070120-8-12.....	4				
24	30834	HOSE ASSEMBLY,55"..... 6	1				
25	30844	HOSE ASSEMBLY,35"..... 7	1				

### 307.1 4WD Hydraulic Hoses and Fittings - Oscillating Axle (continued)

Item	Part No.	Description	Qty.
------	----------	-------------	------

#### Footnotes

**1:** Hose End - Female JIC Swivel, 6-6 (Synflex 3903-06546), Hose End - Female JIC Swivel, 6-6 (Synflex 3903-06546) & Hose - 3/8" Thermoplastic Medium Pressure (Synflex 3130-06)

**2:** Hose - 1/2" Push On (Weatherhead H20108)

**3:** Hose End - Female JIC Swivel, 6-6 (Synflex 3903-06546), Hose End - 90o Female JIC Swivel, 6-6 (Synflex 3903-06646) & Hose - 3/8" Thermoplastic Medium Pressure (Synflex 3130-06)

**4:** Hose End - Female JIC Swivel, 8-8 (Synflex 3903-08548), Hose End - 90o Female JIC Swivel, Long, 8 JIC (Synflex 3903-08848) & Hose - 1/2" Thermoplastic High Pressure (Synflex 3800-08)

**5:** Hose End - Female JIC Swivel, 8-8 (Synflex 3903-08548), Hose End - 45o Female JIC Swivel, 8-8 (Synflex 3903-08608) & Hose - 1/2" Thermoplastic High Pressure (Synflex 3800-08)

**6:** Hose - 3/4" Push On (Weatherhead H20112)

**7:** Hose End - Female JIC Swivel, 12-12 (Weatherhead 43012E-612), Hose End - Female JIC Swivel, 12-12 (Weatherhead 43012E-612) & Hose - 3/4" 4 Spiral High Pressure (Weatherhead H43012)

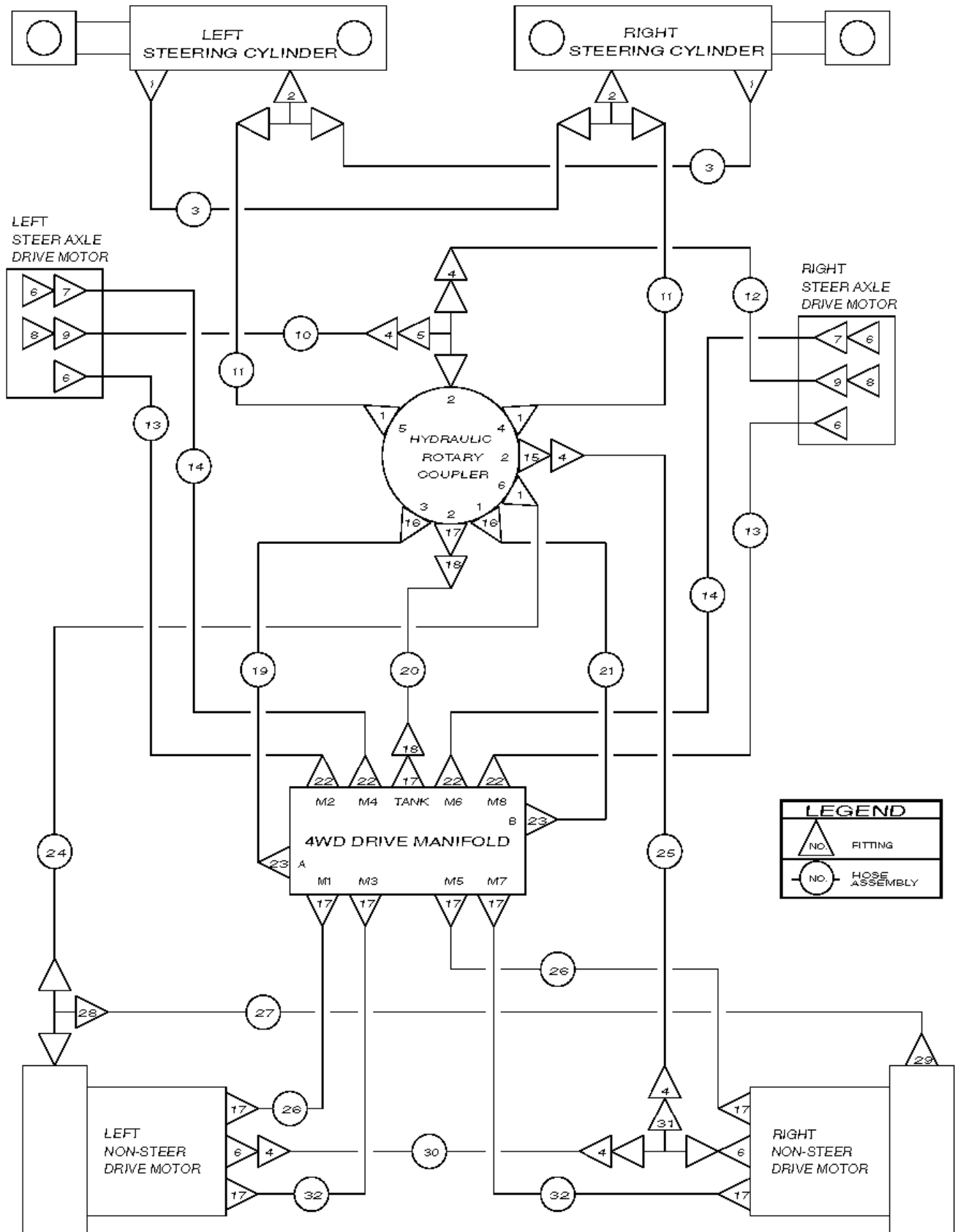
**8:** Hose End - 90o Female JIC Swivel, 4-4 JIC (Synflex 3903-04644), Hose End - Female JIC Swivel, 6-4 (Synflex 3903-06544) & Hose - 1/4" Thermoplastic Medium Pressure (Synflex 3130-04)

**9:** Hose End - Female JIC Swivel, 4-4 (Synflex 3903-04544), Hose End - Female JIC Swivel, 4-4 (Synflex 3903-04544) & Hose - 1/4" Thermoplastic Medium Pressure (Synflex 3130-04)

307.1 4WD Hydraulic Hoses and Fittings - Oscillating Axle  
(continued)

***This Page Intentionally Left Blank***

308.1 4WD Hydraulic Hoses and Fittings - Non-oscillating Axle



308.1 4WD Hydraulic Hoses and Fittings - Non-oscillating Axle

Item	Part No.	Description	Qty.	Item	Part No.	Description	Qty.
1	13120	ELBOW,070220-6-6.....	5	26	30841	HOSE ASSEMBLY,34.5".....	2
2	45705	TEE,BRANCH,070429-6-6.....	2	8			
3	30849	HOSE ASSEMBLY,22.5".....	2	27	30846	HOSE ASSEMBLY,61".....	1
		1		9			
4	20324	HOSE END,BARBED,SWIVEL,-8-8.....	6	28	23802	TEE,RUN,070428-4-4.....	1
5	20334	TEE,RUN,070428-8.....	1	29	13921	ELBOW,070220-4-4.....	1
6	22665	CONNECTOR,070120-8-10.....	6	30	30848	HOSE ASSEMBLY,43".....	1
7	30970	ELBOW,90DEG.SWIV.SWEEP-8-8..	2	9			
8	45349	ELBOW,070320-8-8.....	2	31	21252	TEE,RUN,070432-8.....	1
9	28597	HOSE END,BARBED,SWIVEL,90DEG-8....	2	32	30842	HOSE ASSEMBLY,40.5".....	2
				9			
10	30827	HOSE ASSEMBLY,80".....	1				
		2					
11	30850	HOSE ASSEMBLY,64.5".....	2				
		3					
12	30828	HOSE ASSEMBLY,85.5".....	1				
		3					
13	30826	HOSE ASSEMBLY,98".....	2				
		4					
14	30825	HOSE ASSEMBLY,98".....	2				
		5					
15	45703	CONNECTOR,070120-8-8.....	1				
16	45350	ELBOW,070320-12-12.....	2				
17	19687	CONNECTOR,070120-12-12.....	10				
18	45170	HOSE END,BARBED,SWIVEL,-12-12.....	2				
19	30844	HOSE ASSEMBLY,35".....	1				
		6					
20	30847	HOSE ASSEMBLY,19".....	1				
		7					
21	30843	HOSE ASSEMBLY,25".....	1				
		7					
22	27431	CONNECTOR,070120-8-12.....	4				
23	20925	ELBOW,070220-12-12.....	2				
24	30845	HOSE ASSEMBLY,75".....	1				
		8					
25	30954	HOSE ASSEMBLY,66".....	1				
		8					

### 308.1 4WD Hydraulic Hoses and Fittings - Non-oscillating Axle (continued)

Item	Part No.	Description	Qty.
------	----------	-------------	------

#### Footnotes

**1:** Hose End - Female JIC Swivel, 6-6 (Synflex 3903-06546), Hose End - Female JIC Swivel, 6-6 (Synflex 3903-06546) & Hose - 3/8" Thermoplastic Medium Pressure (Synflex 3130-06)

**2:** Hose - 1/2" Push On (Weatherhead H20108)

**3:** Hose End - Female JIC Swivel, 6-6 (Synflex 3903-06546), Hose End - 90o Female JIC Swivel, 6-6 (Synflex 3903-06646) & Hose - 3/8" Thermoplastic Medium Pressure (Synflex 3130-06)

**4:** Hose End - Female JIC Swivel, 8-8 (Synflex 3903-08548), Hose End - 90o Female JIC Swivel, Long, 8 JIC (Synflex 3903-08848) & Hose - 1/2" Thermoplastic High Pressure (Synflex 3800-08)

**5:** Hose End - Female JIC Swivel, 8-8 (Synflex 3903-08548), Hose End - 45o Female JIC Swivel, 8-8 (Synflex 3903-08608) & Hose - 1/2" Thermoplastic High Pressure (Synflex 3800-08)

**6:** Hose End - Female JIC Swivel, 12-12 (Weatherhead 43012E-612), Hose End - Female JIC Swivel, 12-12 (Weatherhead 43012E-612) & Hose - 3/4" 4 Spiral High Pressure (Weatherhead H43012)

**7:** Hose - 3/4" Push On (Weatherhead H20112)

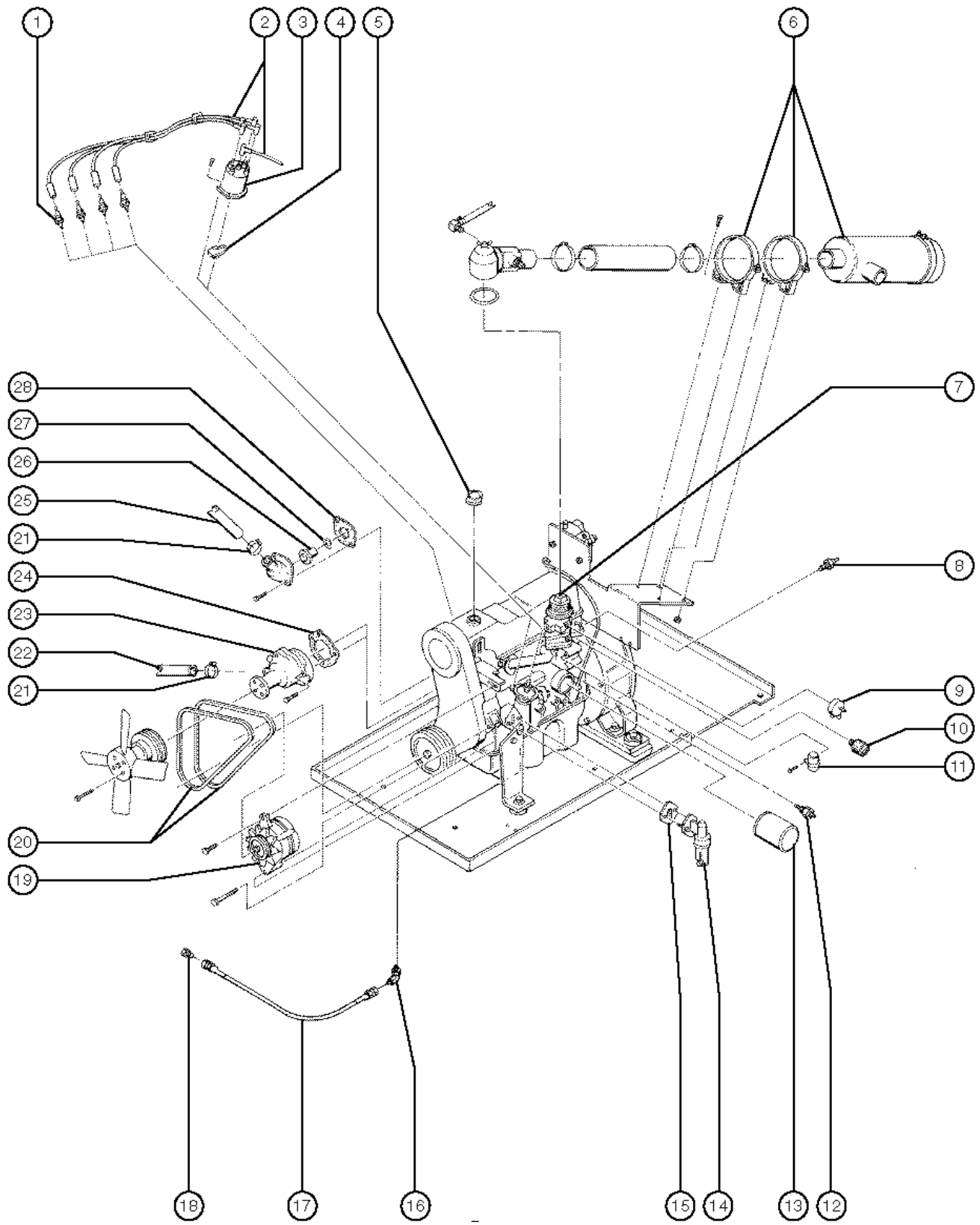
**8:** Hose End - 90o Female JIC Swivel, 4-4 JIC (Synflex 3903-04644), Hose End - Female JIC Swivel, 6-4 (Synflex 3903-06544) & Hose - 1/4" Thermoplastic Medium Pressure (Synflex 3130-04)

**9:** Hose End - Female JIC Swivel, 4-4 (Synflex 3903-04544), Hose End - Female JIC Swivel, 4-4 (Synflex 3903-04544) & Hose - 1/4" Thermoplastic Medium Pressure (Synflex 3130-04)

308.1 4WD Hydraulic Hoses and Fittings - Non-oscillating Axle  
(continued)

*This Page Intentionally Left Blank*

401.1 Ford Gasoline/LPG Engine - View 1

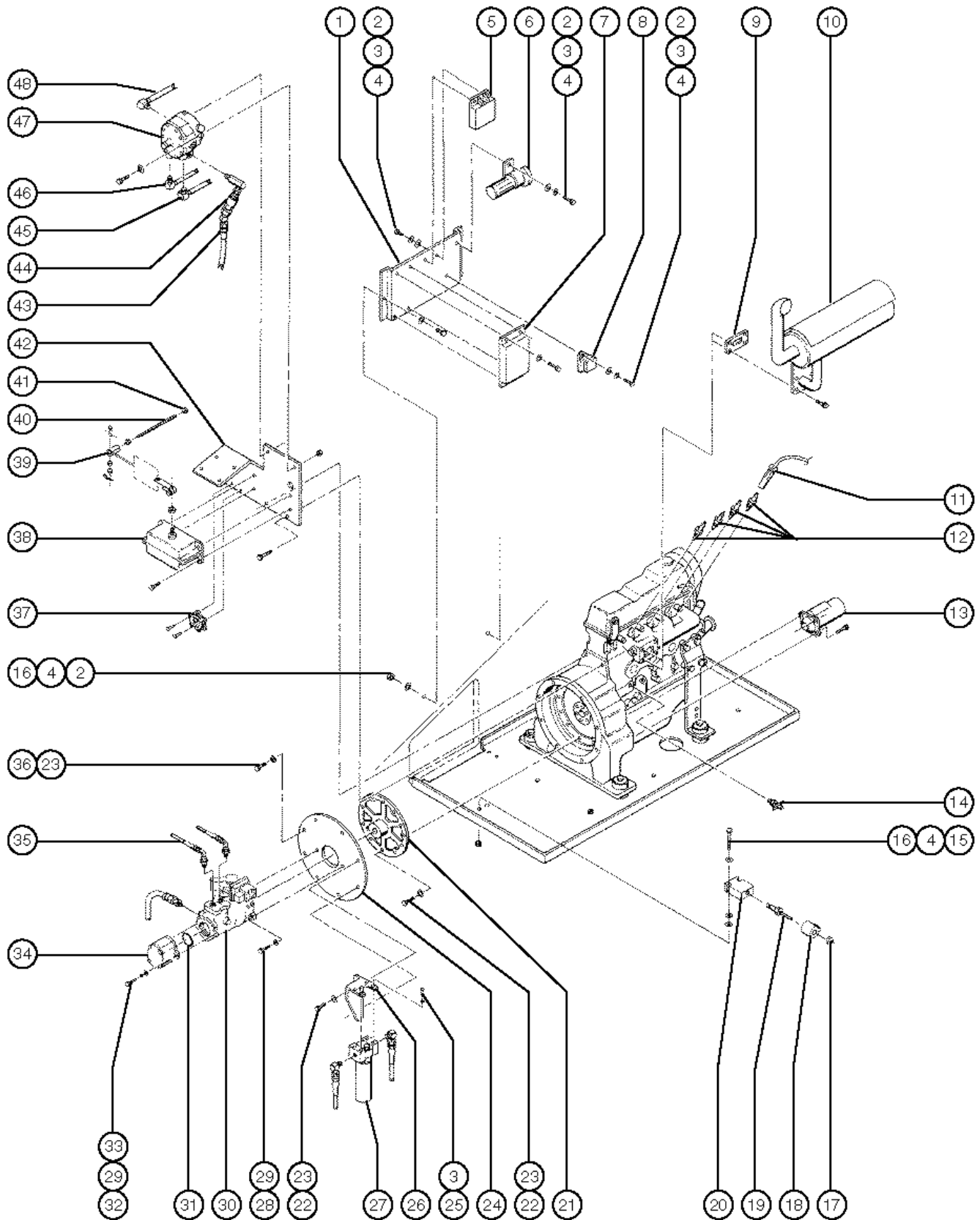




401.1 Ford Gasoline/LPG Engine - View 1

Item	Part No.	Description	Qty.	Item	Part No.	Description	Qty.
1	28647	SPARK PLUG,FORD.....	4	--	38922	ELBOW,90DEG.1/8MPT-5/16	
2	28648	SPARK PLUG WIRE SET, LSG				BARB.....	1
		423.....	1	--	46160	FUEL PUMP,ELECTRONIC.....	1
		<i>Genie genuine part</i>		15	28659	GASKET,FUEL PUMP,FORD.....	1
--	1259056	SPARK PLUG WIRE SET, LSG 423		16	27210	ELBOW,90DEG.6 X 14.....	1
		<i>Genie aftermarket</i>		17	28020	HOSE ASSY,MOTOR OIL DRAIN....	1
3	28650	CAP,DISTRIBUTOR,FORD.....	1	18	19141	PLUG,MALE,070109-6.....	1
4	28649	ROTOR,DISTRIBUTOR,FORD.....	1	19	28716	ALTERNATOR,FORD LSG-423*** ....	1
5	28658	CAP, OIL FILLER, FORD LSG423...	1	20	28652	BELT,V, FAN/ALT,FORD LSG423....	2
6	27915	AIR CLEANER.....	1	21	45171	CLAMP,HOSE,1.75,LINED.....	2
		<i>does NOT include mounting bands</i>		22	28769	HOSE,BOTTOM	
--	27916	FILTER,AIR,ELEMENT*** .....	1			RADIATOR,FORD.....	1
--	33931	MOUNTING BAND (27915).....	2	23	28666	PUMP,WATER,FORD.....	1
--	53952	BRKT,AIR CLEANER		24	28660	GASKET,WATER PUMP,FORD.....	1
		ORIENTATION**		25	28770	HOSE, TOP RADIATOR,FORD.....	1
--	65815	CLAMP, AIR CLEANER (27915)** ....	1	26		THERMOSTAT & SEAL,FORD.....	1
		<i>clamp that holds the end cap on</i>				<i>no longer available from supplier</i>	
7	28714	CARB REPAIR KIT,		27	28654	SEAL,THERMOSTAT,FORD.....	1
		LSG/LRG-423.....	1	28	28653	GASKET,WATER OUTLET,FORD....	1
--	29439	COIL, AUTOMATIC CHOKE,.....	1				
--	33958	CARBURETOR,FORD-LRG					
		423,AUTO** .....	1				
		<i>main jets will need to be swapped with</i>					
		<i>original carburetor.</i>					
--	37494	CARBURETOR FLOAT-ZENITH.....	1				
8	28651	SOLENOID, ANTI-DIESELING.....	1				
9	29439	COIL, AUTOMATIC CHOKE,.....	1				
10	30810	SENDING UNIT,OIL					
		PRESSURE*** .....	1				
		<i>dual-terminal sender</i>					
11	28662	FILTER,FUEL,LRG-423,SCREW-IN.1					
12	34058	SENDING					
		UNIT,TMP,FRD,GM,PRK704.....	1				
13	28656	FILTER,OIL,FORD.....	1				
		<i>Genie genuine part</i>					
--	1259054	FILTER, OIL, FORD					
		<i>Genie aftermarket</i>					
14	46164	FUEL PUMP KIT,FORD LRG					
		423*** .....	1				
		<i>includes fuel pump, filter, hose end</i>					
		<i>and two different elbows</i>					
--	22585	ELBOW,130239-2-2.....	1				
--	27087	HOSE END,MALE					
		PIPE,WH#1551.....	1				
--	28662	FILTER,FUEL,LRG-423,SCREW-IN.1					

402.1 Ford Gasoline/LPG Engine - View 2



402.1 Ford Gasoline/LPG Engine - View 2

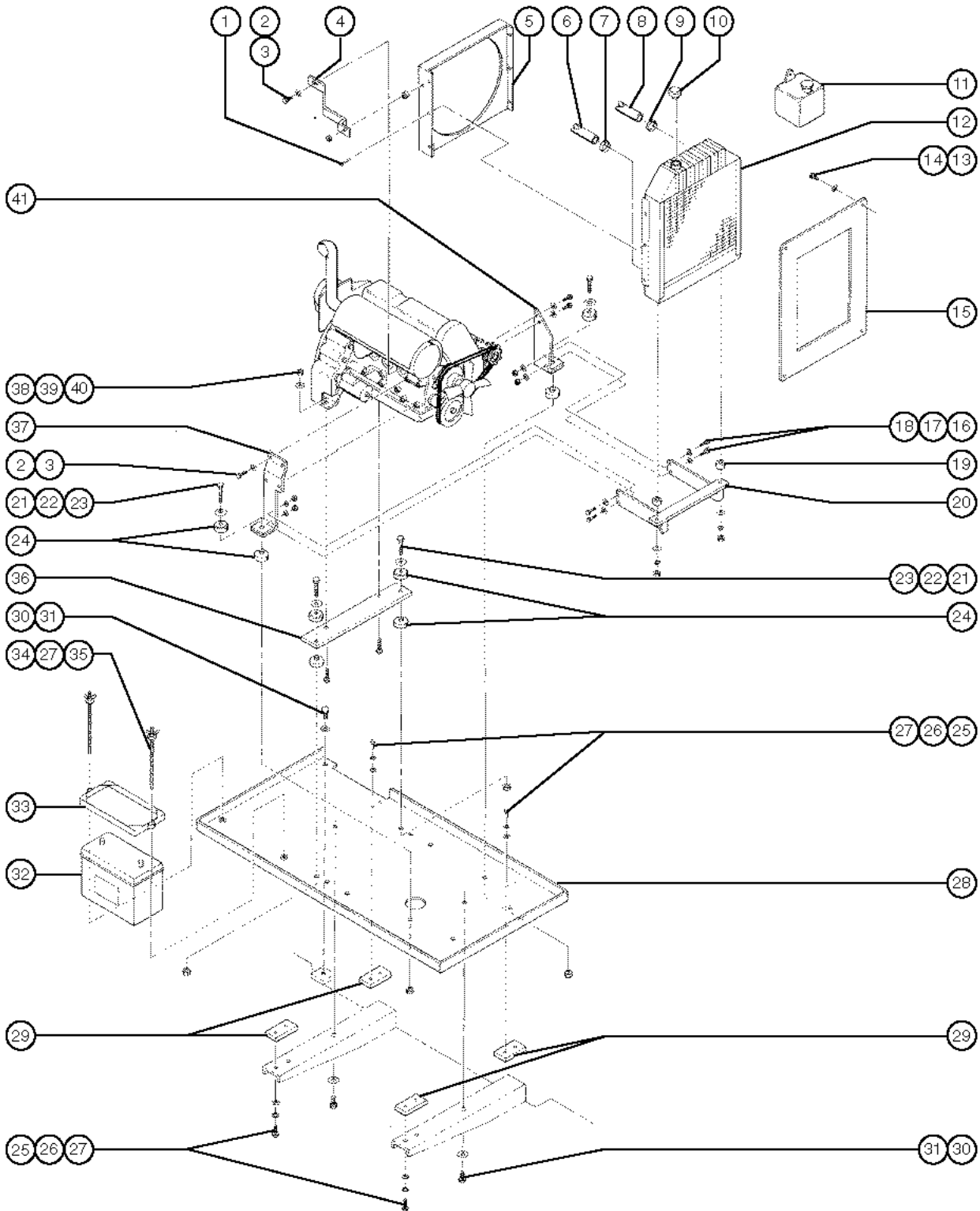
Item	Part No.	Description	Qty.	Item	Part No.	Description	Qty.
--	28718	BELT,TIMING,FORD LSG-423**		24	25571P-S	PLATE,PUMP MOUNT,FORD,PAINTED.....	1
1	31250	IGNITION MODULE MTG.PLATE ASSY.....	1	25	7339	SCREW,HHC,1/4-20 X .5.....	4
2	8914	SCREW,HHC,1/4-20 X .625.....	13	26	30230P	FILTER MOUNT BRACKET.....	1
3	6356	WASHER,LOCK,.25.....	15	27	77139	FILTER ASY,M PRESS,SAE8,WOIND*.....	1
4	6638	WASHER,FLAT,USS,1/4"Y.....	14	--	20880	FILTER ELEMENT-10 MIC.*** ..... <i>component of filter assy p/n 20879 (no longer sold)</i>	1
5	27922	IGNITION, ELECTRONIC, FORD....	1	--	60857	FILTER,ELEMENT,BETA(5)=1000 <i>component of filter assy p/n 77139</i>	
6	28664	COIL, IGNITION,FORD.....	1	28	8177	SCREW,HHC,1/2-13 X 1.5.....	2
7	27908	GOVERNOR,CNTRLR,FORD,LSG 423.....	1	29	6033	WASHER,LOCK,0.5".....	4
8	27919	REGULATOR, VOLTAGE, Z45GP91.....	1	30	46674	PUMP,VAR.PISTON M46 2.8 CIQVP*.....	1
9	27142	GASKET,EXHAUST.....	1	--	29739	SEAL KIT,SAUER-DANFOSS M46***.....	1
10	48439	MUFFLER,EXH,FORD,BIG BOOMS***.....	1	31	29436	O-RING***.....	1
11	28648	SPARK PLUG WIRE SET, LSG 423.....	1	32	10597	SCREW,HHC,1/2-13 X 1.25 GR5.....	2
--	1259056	SPARK PLUG WIRE SET, LSG 423 <i>Genie aftermarket</i>		33	13066	WASHER,FLAT,.5 HARDENED.....	2
12	28647	SPARK PLUG,FORD.....	4	34	53961	PUMP,LIFT 1.025 C.I.***..... <i>use in place of previous pump 31248</i>	1
13	29606	RING GEAR,FORD*** <i>FITS LSG-LRG 423, AND LRG425</i>		--	31249	SEAL KIT,LIFT PUMP**..... <i>use with pump 31248</i>	1
13	29616	STARTER,ENGINE,FORD LSG/LRG***.....	1	--	53962	SEAL KIT,LIFT PUMP (53961)*** <i>use with pump 53961</i>	
14	28717	VALVE,DRAIN,FORD,BLOCK,RAD..	1	35		Ref. Hydraulic Hoses & Fittings (refer to figure 5-H, page 5-28).....	1
15	8179	SCREW,HHC,1/4-20 X 2.25.....	2	36	6175	SCREW,HHC,3/8-16 X 1.....	2
16	6091	NUT,NYLOCK,1/4-20.....	4	37	22278	SWITCH,VACUUM.....	1
17	52943	NUT,SOLENOID VALVE.....	1	38	27917	GOVERNOR,MECHNCL,FORD LSG423.....	1
18	29744	COIL,10V.....	1	39	21130	CLEVIS YOKE-1/4-28,PLTD W/PIN.....	1
19	29066	VALVE,SOLENOID,10V,2POS 3WAY**..... <i>includes index number 17 and 18</i>	1	40	30785-1000	THREADED ROD,1/4-28 X 10 IN***.....	1
20	30369	SOLENOID VALVE,N.C. 2POS. 3WAY..... <i>includes index number 17 - 19</i>	1	41	21496	NUT,HEX,1/4-28.....	2
--	48877	CONN,520120-4-6,.025 ORI.....	1	42	30224P	BRACKET,LP REG/AIR FILTER,PNTD.....	1
21	28836	COUPLING,FLYWHEEL,FL 15T 12.5".....	1	43	25967	HOSE ASSEMBLY,LP GAS-86" LNG**.....	1
--	37002	COUPLER,HUB,15 TOOTH 7/16BOLT*.....	1	44	27010	VALVE,LOCK OFF,BEAM #FL-418.....	1
22	6019	SCREW,HHC,3/8-16 X 1.25 GRD 5.....	8	--	27042	ELBOW,90DEG.1/4MPT,1/4SW,NPTF.1	
23	6021	WASHER,LOCK,.375.....	14				

402.1 Ford Gasoline/LPG Engine - View 2  
(continued)

Item	Part No.	Description	Qty.
45		Ref. Hose -3/8 x 19.5 inches (50 cm), Regulator to Water Pump.....	1
46		Ref. Hose -3/8 x 25 inches (63.5 cm), Regulator to Intake Manifold.....	1
47	24551	REGULATOR,LPG,BEAM #120A.....	1
--	32768	REGULATOR DIAPH.KIT BEAM 120A.....	1
48		Ref. Hose -5/8 x 9.5 inches (24 cm), Regulator to Carburetor Venturi.....	1

***This Page Intentionally Left Blank***

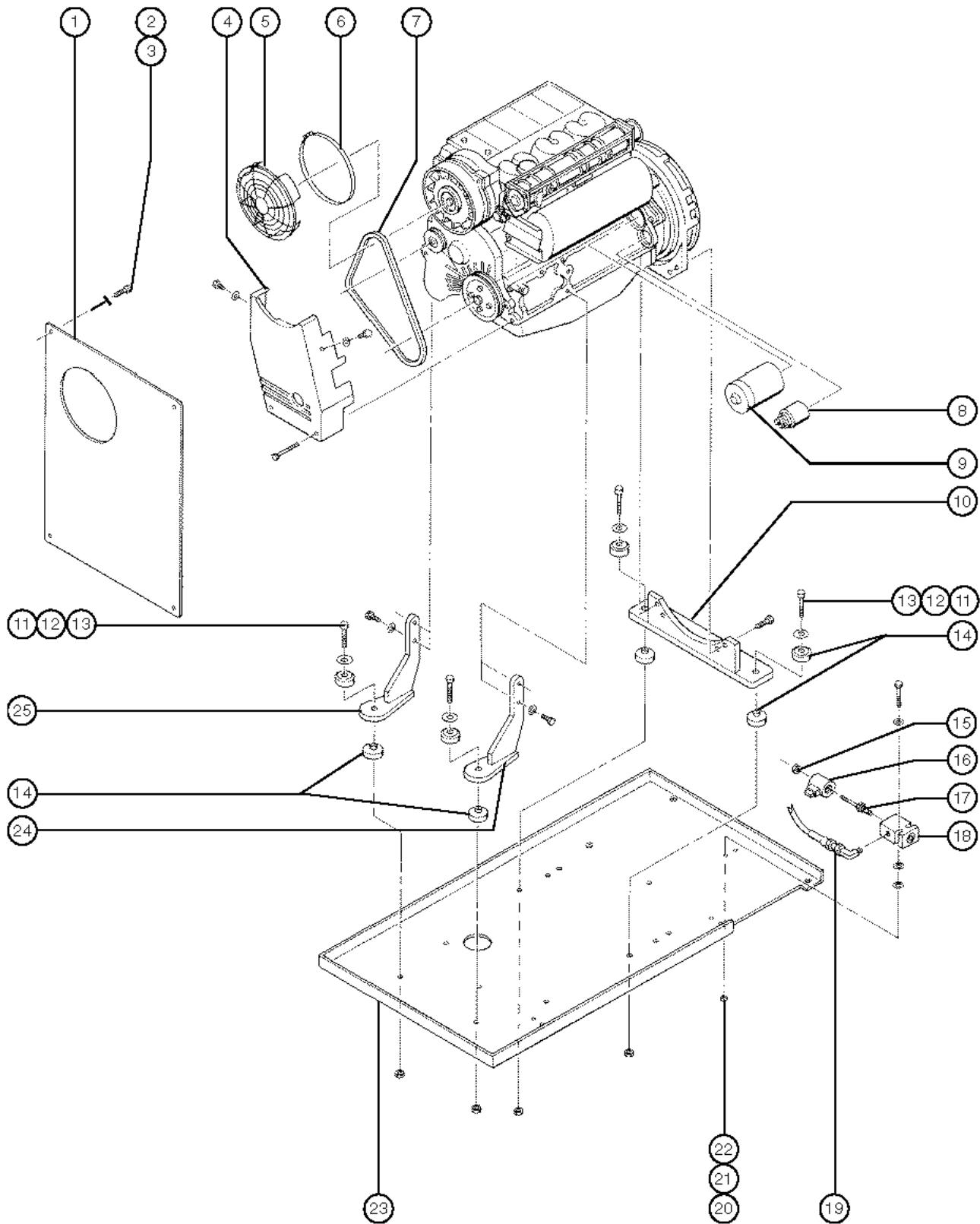
403.1 Ford Gasoline/LPG Engine - View 3



403.1 Ford Gasoline/LPG Engine - View 3

Item	Part No.	Description	Qty.	Item	Part No.	Description	Qty.
1	21018	SCREW,PHIL,PHM,10-24 X.38,SEMS.....	6	33	30144	BATTERY HOLD DOWN,GROUP 31.....	1
2	27034	SCREW,HHC,M10 X 25MM,GR 8.8.....	7	34	30784-975	THREADED ROD,(1/4-20),9.75.....	2
3	22700	WASHER,LOCK,M10.....	7	35	8170	NUT,WING,1/4-20.....	2
4	27022P	MOUNT,RAD.SUPPT.,RH,PAINTED.	1	36	28234P-S	PLATE,ENGINE MOUNT,PAINTED.....	1
5	27639P	RADIATOR SHROUD,PAINTED.....	1	37	29296	WELDMENT,FORD ENG.MNT,OUTBOARD.....	1
6	28769	HOSE,BOTTOM RADIATOR,FORD.....	1	38	6198	NUT,NYLOCK,1/2-13.....	2
7	13014	CLAMP,HOSE,2.25" DIA.....	1	39	6095	WASHER,FLAT,USS,1/2",Y.....	2
8	28770	HOSE,TOP RADIATOR,FORD.....	1	40	10598	SCREW,HHC,1/2-13 X 3.....	2
9	45171	CLAMP,HOSE,1.75,LINED.....	1	41	29297	WELDMENT,FORD ENG.MNT,INBOARD.....	1
10	27943	CAP,RADIATOR,FORD***.....	1				
11	54071	COOLANT RETURN SYSTEM,Z45***.....	1				
--	72327	CAP, COOLANT RET SYS(54071).....	1				
12	27942	RADIATOR,FORD (LSG).....	1				
--	28717	VALVE,DRAIN,FORD,BLOCK,RAD..	1				
13	6175	SCREW,HHC,3/8-16 X 1.....	4				
14	6021	WASHER,LOCK,.375.....	4				
15	30720P	BAFFLE,AIR,FORD,PAINTED.....	1				
16	8516	SCREW,HHC,3/8-16 X 1.50,GR5....	4				
17	6097	WASHER,FLAT,USS,3/8",Y.....	8				
18	4828	NUT,NYLOCK,3/8-16.....	4				
19	24038	SHOCK MOUNT,SMALL.....	2				
20	27640	WELDMENT,RADIATOR MOUNT....	1				
21	6023	SCREW,HHC,5/8-11 X 3.5.....	4				
22	6035	WASHER,FLAT,USS,5/8",Y.....	4				
23	6024	NUT,NYLOCK,5/8-11.....	4				
24	28076	ISOLATOR,VIBRATION,LG,RD&WH***.	4				
25	6090	SCREW,HHC,1/4-20 X .75.....	8				
26	6356	WASHER,LOCK,.25.....	8				
27	6638	WASHER,FLAT,USS,1/4"Y.....	8				
28	30679-S	WELDMENT, ENGINE MODULE PLATE.....	1				
29	45209	WEAR PAD,4X2X.5 W/INSERT***....	4				
30	29883	SCREW,HHC,5/8-11 X 1.75 GRD.8.....	3				
31	13064	WASHER,FLAT,.625 HARDENED....	3				
32	30143	BATTERY,12V,1000 CCA GRP 31.....	1				

404.1 Deutz Diesel Engine - View 1

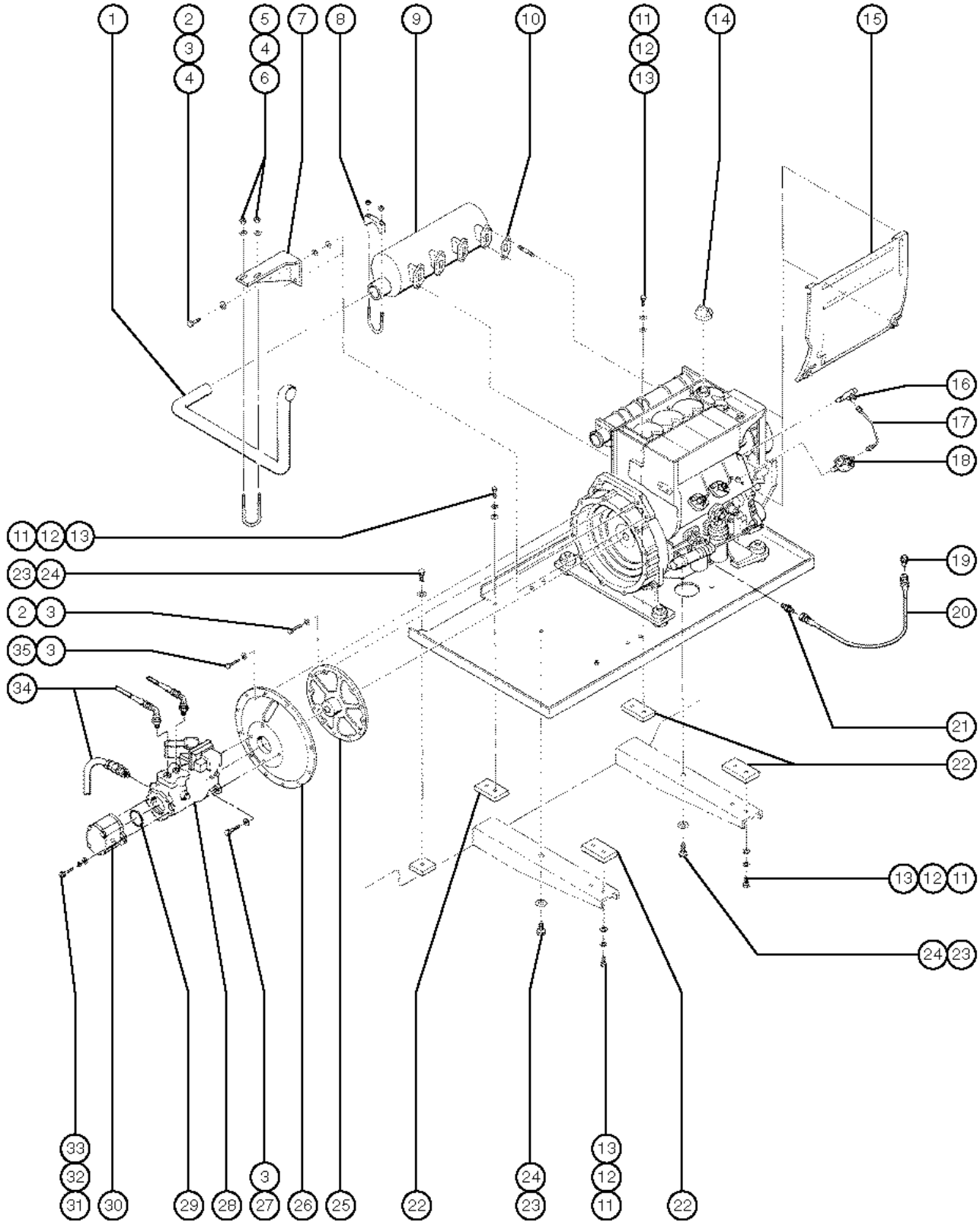




## 404.1 Deutz Diesel Engine - View 1

Item	Part No.	Description	Qty.
--	58274	ENGINE, DEUTZ D2011L03I (SERV) <i>F3L1011 AND F3L1011F Engines only</i>	
1	30721P	BAFFLE,AIR,DEUTZ,PAINTED.....	1
2	6175	SCREW,HHC,3/8-16 X 1.....	4
3	6021	WASHER,LOCK,.375.....	4
4	29555	COVER,FRONT DEUTZ ENGINE.... <i>four 8mm bolts are used to fasten the cover, two 1/2" long, two 4" long.</i>	1
5	31522	GUARD,FAN,DEUTZ F4L1011.....	1
6	31523	CLAMP,HOSE,8.50 DIA*** .....	1
7	32698	BELT,V, DEUTZ DIESEL ENGINE....	1
8	29552	STARTER SOLENOID, DEUTZ 25484.....	1
9	29551	STARTER ASSY - PRE 8/14/95..... <i>includes index number 8</i>	1
10	29550	WELDMENT,DEUTZ ENGINE MOUNT.....	1
11	21175	SCREW,SHC,5/8-11 X 4,A574.....	4
12	6035	WASHER,FLAT,USS,5/8",Y.....	4
13	6024	NUT,NYLOCK,5/8-11.....	4
14	28076	ISOLATOR,VIBRATION,LG,RD&WH***.	4
15	52943	NUT,SOLENOID VALVE.....	1
16	29744	COIL,10V.....	1
17	29066	VALVE,SOLENOID,10V,2POS 3WAY**..... <i>includes index numbers 15 and 16</i>	1
18	30369	SOLENOID VALVE,N.C. 2POS. 3WAY..... <i>includes index numbers 15 through 17</i>	1
19		Ref. Hydraulic Hoses & Fittings (refer to figure 5-H, page 5-28).....	1
20	6091	NUT,NYLOCK,1/4-20.....	2
21	6638	WASHER,FLAT,USS,1/4"Y.....	6
22	8179	SCREW,HHC,1/4-20 X 2.25.....	2
23	30679-S	WELDMENT, ENGINE MODULE PLATE.....	1
24	32748	WELMENT,DEUTZ ENGINE MOUNT.....	1
25	32749	WELDMENT,DEUTZ ENGINE MOUNT.....	1

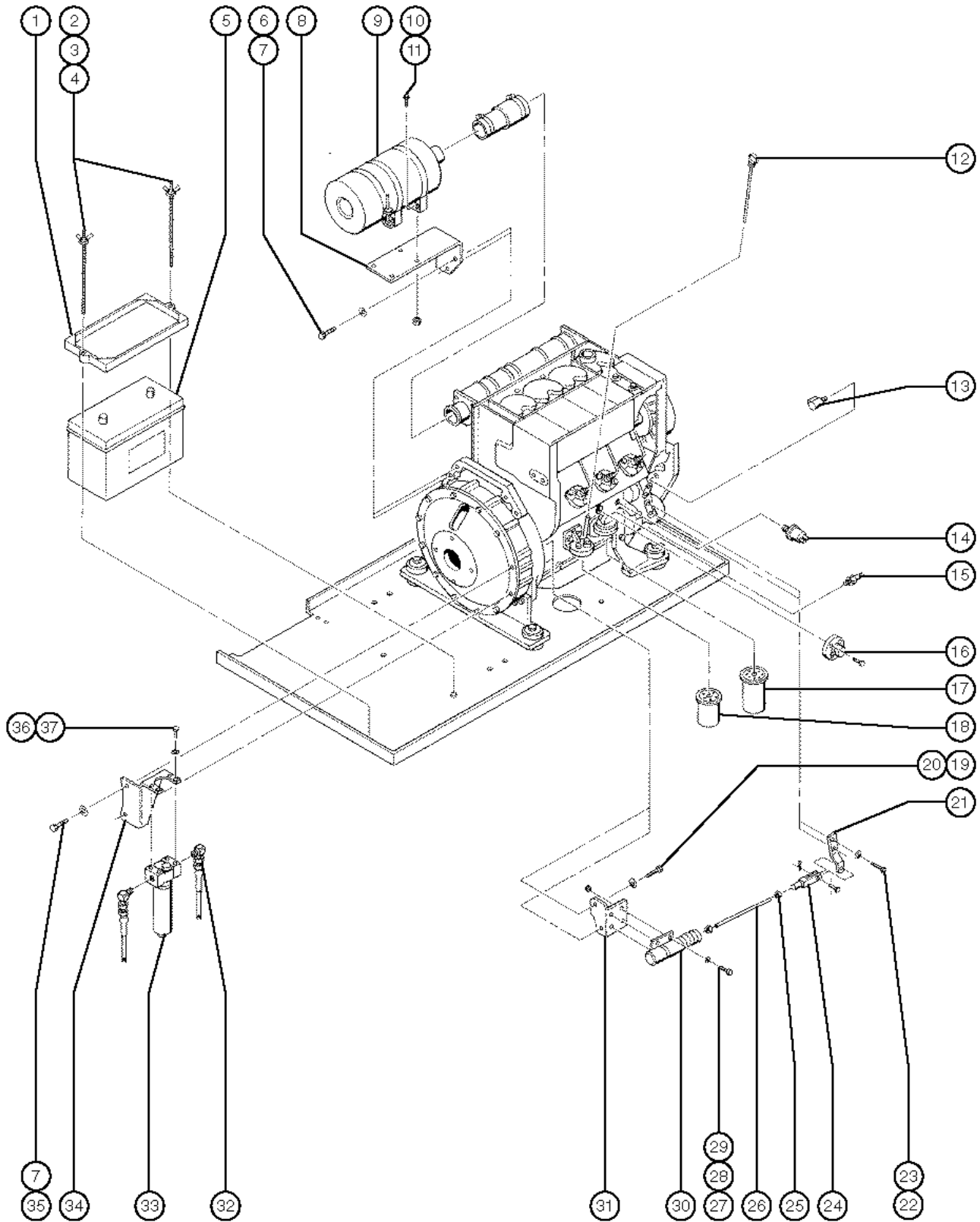
405.1 Deutz Diesel Engine - View 2



405.1 Deutz Diesel Engine - View 2

Item	Part No.	Description	Qty.	Item	Part No.	Description	Qty.
--	33729	RING GEAR,DEUTZ F3 & F4L1011.....1 <i>(please verify ring gear thickness) 0.365 inches</i>	1	--	37002	COUPLER,HUB,15 TOOTH 7/16BOLT*.....1	1
--	49917	RING GEAR,DEUTZ F3 & F4L1011F.....1 <i>(please verify ring gear thickness) 0.46 inches</i>	1	26	30806	FLYWHEEL COVER,CASTING*** ....1	1
--	89785	RING GEAR,DEUTZ F3L2011F.....1 <i>(please verify ring gear thickness) 0.6 inches</i>	1	27	6605	SCREW,HHC,3/8-16 X 3.5,GR5.....2	2
1	30660	EXHAUST,TAIPIPE,DEUTZ,S40....1	1	28	46674	PUMP,VAR.PISTON M46 2.8 CIQVP*.....1	1
2	6019	SCREW,HHC,3/8-16 X 1.25 GRD 5.....14	14	--	29739	SEAL KIT,SAUER-DANFOSS M46*** .....1	1
3	6021	WASHER,LOCK, .375.....25	25	29	29436	O-RING***.....1	1
4	6097	WASHER,FLAT,USS,3/8",Y.....4	4	30	53961	PUMP,LIFT 1.025 C.I.*** .....1 <i>use in place of previous pump 31248</i>	1
5	6002	NUT,LP NYLOCK,5/16-18.....2	2	--	31249	SEAL KIT,LIFT PUMP** <i>use with pump 31248</i>	
6	16584	U-BOLT, KIT 5/16-18 X 2.5.....1	1	--	53962	SEAL KIT,LIFT PUMP (53961)*** .....1 <i>use with pump 53961</i>	1
7	30674	WELDMENT,EXHAUST SUPPORT.....1	1	31	10597	SCREW,HHC,1/2-13 X 1.25 GR5.....2	2
8	30438	CLAMP,MUFFLER,2 1/4" ID.....1	1	32	6033	WASHER,LOCK,0.5".....2	2
9	32695	MUFFLER,DEUTZ.....1	1	33	13066	WASHER,FLAT,.5 HARDENED.....2	2
10	29559	GASKET,EXHAUST.....4	4	34		Ref. Hydraulic Hoses & Fittings (refer to figure 5-H, page 5-28).....2	2
11	6090	SCREW,HHC,1/4-20 X .75.....8	8	35	6175	SCREW,HHC,3/8-16 X 1.....12	12
12	6356	WASHER,LOCK,.25.....8	8				
13	6638	WASHER,FLAT,USS,1/4"Y.....8	8				
14	29557	CAP,OIL FILLER,DEUTZ,DIESEL*** .....1	1				
15	32696	COVER,DEUTZ ENGINE.....1	1				
16	32697	INJECTOR,DEUTZ.....3	3				
17	29564	INJECTOR, FUEL LINE DEUTZ DSL.....3	3				
18	32699	INJECTION PUMP,DEUTZ DIESEL.....3	3				
19	19141	PLUG,MALE,070109-6.....1	1				
20	30964	HOSE ASSEMBLY, 33".....1	1				
21	30963	CONNECTOR,M18 X 8 JIC.....1	1				
22	45209	WEAR PAD,4X2X.5 W/INSERT*** ....4	4				
23	29883	SCREW,HHC,5/8-11 X 1.75 GRD.8.....3	3				
24	13064	WASHER,FLAT,.625 HARDENED...3	3				
25	28836	COUPLING,FLYWHEEL,FL 15T 12.5".....1	1				

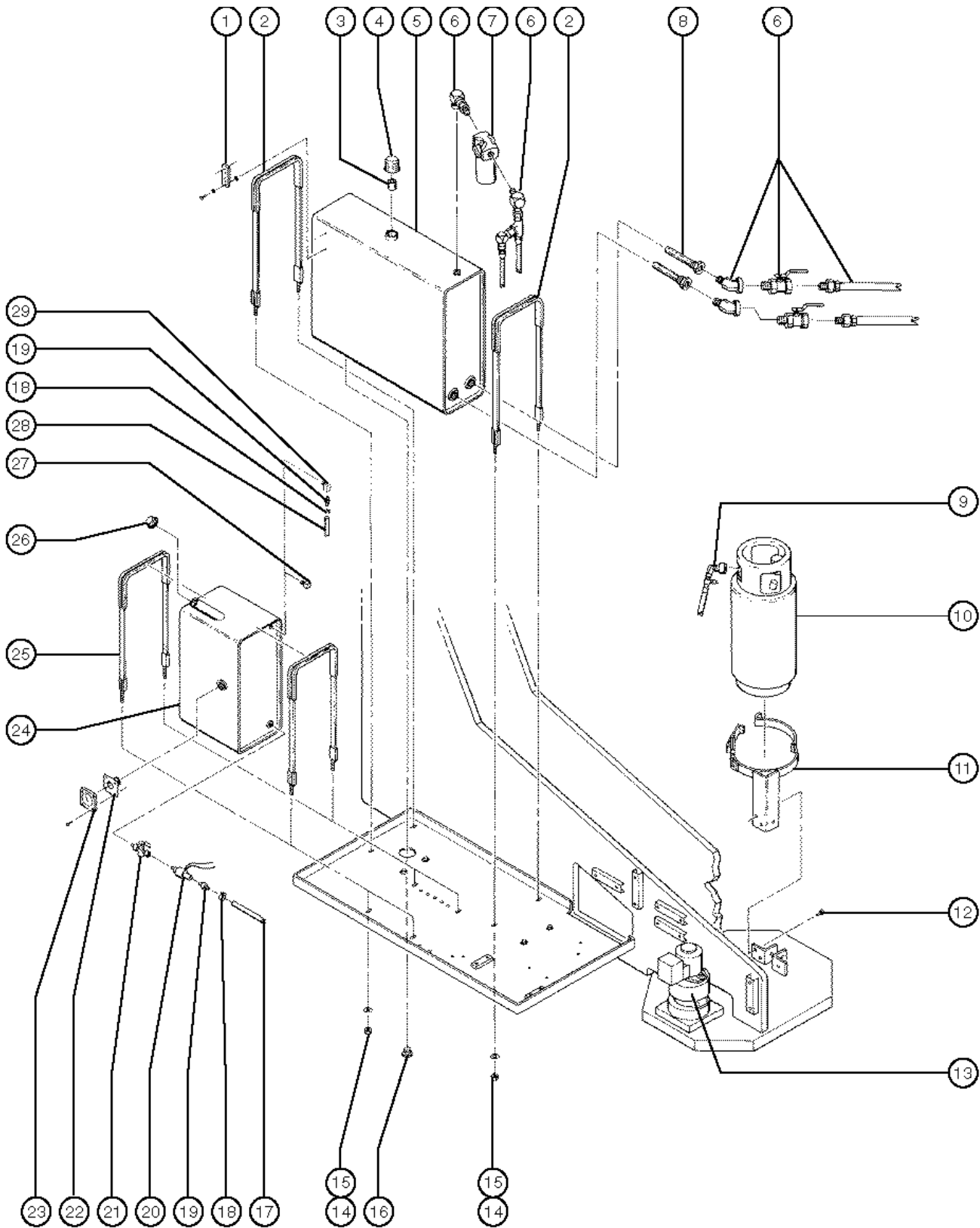
406.1 Deutz Diesel Engine - View 3



406.1 Deutz Diesel Engine - View 3

Item	Part No.	Description	Qty.	Item	Part No.	Description	Qty.
1	30144	BATTERY HOLD DOWN, GROUP 31.....	1	18	29560	FILTER, FUEL/WTR SEP, DTZ 1008.....	1
2	30784-975	THREADED ROD, (1/4-20), 9.75.....	2			<i>Genie Genuine Part. See PN 1254826 for compatible aftermarket replacement.</i>	
3	6638	WASHER, FLAT, USS, 1/4"Y.....	2	--	1254826	FUEL FILTER W/SEP, DEUTZ, 1008.....	1
4	8170	NUT, WING, 1/4-20.....	4			<i>Genie Aftermarket Part. Filter for Deutz F3L 1011F Engine.</i>	
5	30143	BATTERY, 12V, 1000 CCA GRP 31.....	1	19	23057	SCREW, HHC, M8 X 20MM.....	2
6	6019	SCREW, HHC, 3/8-16 X 1.25 GRD 5.....	2	20	6886	WASHER, LOCK, .313.....	2
7	6021	WASHER, LOCK, .375.....	4	21	30796P	BRACKET, ACTUATOR ARM, PAINTED.....	1
8	30769P	BRACKET, AIR CLEANER MTG. PAINT.....	1	22	22578	SCREW, HHC, M6 X 20MM, GR8.8....	2
9	27915	AIR CLEANER.....	1	23	6356	WASHER, LOCK, .25.....	2
		<i>does NOT include mounting bands</i>		24	21130	CLEVIS YOKE-1/4-28, PLTD W/PIN.....	1
--	27916	FILTER, AIR, ELEMENT***.....	1			<i>includes clevis pin</i>	
--	33931	MOUNTING BAND (27915).....	2	25	21496	NUT, HEX, 1/4-28.....	2
--	53952	BRKT, AIR CLEANER ORIENTATION**.....		26	30785-1000	THREADED ROD, 1/4-28 X 10 IN***.....	1
--	65815	CLAMP, AIR CLEANER (27915)**.....	1			<i>clamp that holds the end cap on</i>	
10	18506	5/16-18 X .75 LG. FLG. LCK. SCREW.....	4	27	6090	SCREW, HHC, 1/4-20 X .75.....	4
11	6002	NUT, LP NYLOCK, 5/16-18.....	4	28	6638	WASHER, FLAT, USS, 1/4"Y.....	4
12	32750	DIPSTICK.....	1	29	6091	NUT, NYLOCK, 1/4-20.....	4
13	T114678	SHUTDOWN SOLENOID, 12V, DEUTZ.....	1	30	29073	SOLENOID, THROTTLE,.....	1
		<i>(replaced 32752) (must order cable assembly, 58256, if replacing 32752) (does not include o-ring)</i>		31	30795P	BRACKET, SOLENOID MTG. PAINTED.....	1
--	45782	DIODE, 6 AMP, 200 PIV, BULK.....		32		Ref. Hydraulic Hoses & Fittings (refer to figure 5-H, page 5-28).....	1
--	58256	SOLENOID CABLE ASSY***.....		33	20880	FILTER ELEMENT-10 MIC.***.....	1
--	72255	CONNECTOR, DEUTZ FUEL SHUTOFF*.....		33	77139	FILTER ASY, M PRESS, SAE8, WOIND*.....	1
		<i>(does not include diode, 45782)</i>		34	30230P	FILTER MOUNT BRACKET.....	1
14	30805	SENDING UNIT, OIL PRESS., DEUTZ.....	1	35	6019	SCREW, HHC, 3/8-16 X 1.25 GRD 5.....	2
--	29565	SWITCH/SENDER, OIL TEMPERATURE.....	1	36	7339	SCREW, HHC, 1/4-20 X .5.....	4
15	34059	SENDING UNIT, OIL TEMP.....	1	37	6356	WASHER, LOCK, .25.....	4
--	37033	SENDING UNIT, OIL PRESS., DEUTZ*.....					
		<i>for F41011 F style engine</i>					
16	29562	PUMP ASSY, FUEL, DEUTZ DIESEL.....	1				
17	29561	FILTER, OIL.....	1				

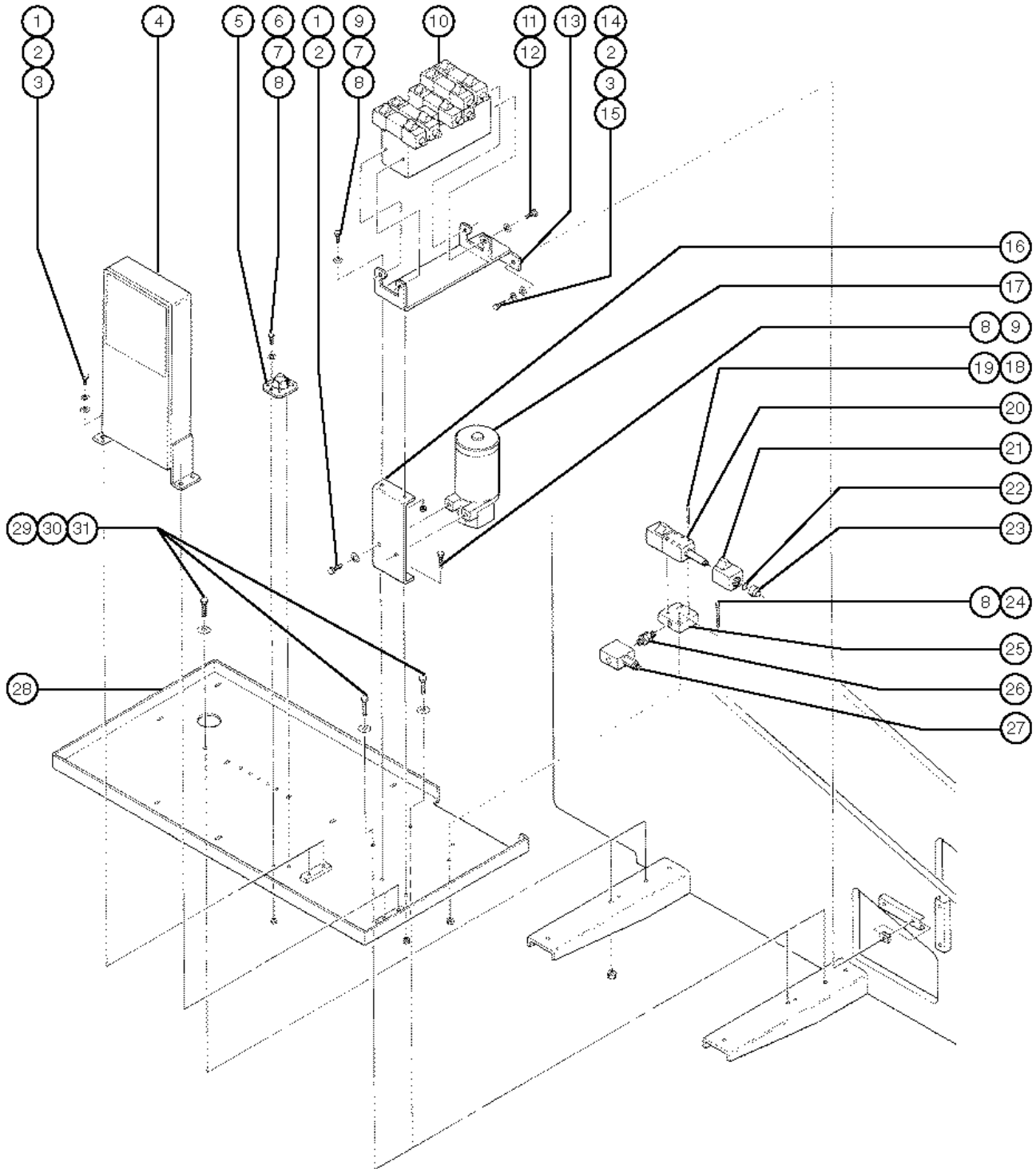
501.1 Hydraulic and Fuel Tanks



501.1 Hydraulic and Fuel Tanks

Item	Part No.	Description	Qty.	Item	Part No.	Description	Qty.
--	34980-S	OIL COOLER KIT,S60,S80 PARKER <i>for units prior to 1998 with synflex hoses order part number 46990</i>		22	30652P	ADAPTER FLANGE,FUEL GAUGE PTD.....	1
1	21141	GAUGE-SIGHT,LHA-LGTB*** .....1 <i>includes mounting fasteners</i>	1	23	30584	GAUGE,FUEL,SIDE MOUNT.....1 <i>gauge with arm and float (dial only is part 49893)</i>	1
2	31524	STRAP ASSY,TANK, 66 INCH.....	2	24	30546P-S	TANK,30 GALLON,PAINTED**.....1 <i>includes index number 27</i>	1
3	31506	STRAINER,FILLER NECK.....	1	25	30179	TANK STRAP,BOLT STYLE,62".....	2
4	53534	FILTER SCREEN,TANK BREATHER.....	1	26	25567	CAP,FUEL,GREEN*.....1 <i>Deutz Diesel models</i>	1
5	58211	HYDRAULIC TANK ASSY,S40/80*** .....1 <i>includes index number 1, 3, 4, 8 and 16</i>	1	--	28829	CAP,FUEL,RED*** .....1 <i>Gasoline/LPG models</i>	1
6		Ref. Hydraulic Hoses & Fittings (refer to figure 5-H, page 5-28).....	1	27	18218	PLUG,PIPE,HEX HEAD,STL,1/4NPT.....1 <i>Gasoline/LPG models</i>	1
7	29908	FILTER ASSY W/INDICATOR LH.....	1	28	30490	HOSE,1/4 FUEL LINE,SAE 30R7 <i>Deutz Diesel models</i>	
--	20293	FILTER ELEMENT-10MICRON.....	1	29	19363	ELBOW,130239-4-4.....1 <i>Deutz Diesel models</i>	1
8	45161P	STRAINER ASSEMBLY,PAINTED.....	2				
9	25967	HOSE ASSEMBLY,LP GAS-86" LNG** .....1	1				
10	53605	TANK, LP, 7 GAL.....	1				
11	30711	LP.TANK BRKT WLDMT.,TALL.....1 <i>Gasoline/LPG models</i>	1				
12	8255	SCREW,HHC,3/8-16 X .75.....	3				
13		Ref. Turntable Rotator (refer to figure 5-D, page 5-14).....	3				
14	4828	NUT,NYLOCK,3/8-16.....	7				
15	6097	WASHER,FLAT,USS,3/8",Y.....	4				
16	31507	PLUG,SQUARE HEAD,3/4 MPT.....	1				
17	27089	HOSE,5/16 FUEL,SAE 30R7 <i>Deutz Diesel models</i>					
--	27089	HOSE,5/16 FUEL,SAE 30R7 <i>Gasoline/LPG models</i>					
18	21465	CLAMP,HOSE,SIZE .25 TO .63.....2 <i>Deutz Diesel models</i>	2				
--	21465	CLAMP,HOSE,SIZE .25 TO .63.....1 <i>Gasoline/LPG models</i>	1				
19	29137	HOSE END,MALE.25 X .25 MPT.....2 <i>Deutz Diesel models</i>	2				
--	29137	HOSE END,MALE.25 X .25 MPT.....1 <i>Gasoline/LPG models</i>	1				
20	139898	SOLENOID-GASOLINE FUEL.....1 <i>Gasoline/LPG models</i>	1				
21	19487	VALVE,FUEL LOCK.....	1				

502.1 Function Manifold and Auxilliary Power Unit Installation

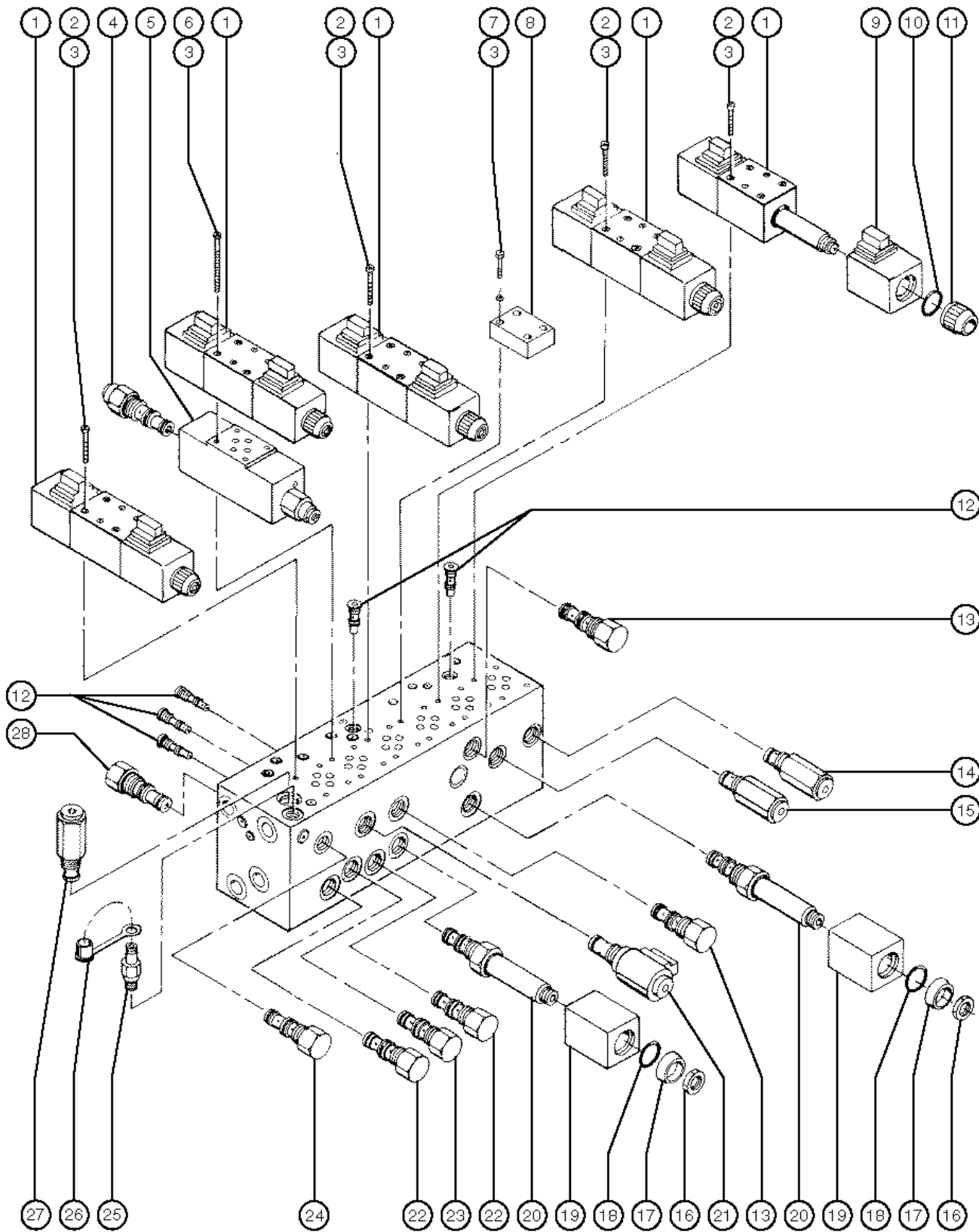




502.1 Function Manifold and Auxilliary Power Unit Installation

Item	Part No.	Description	Qty.	Item	Part No.	Description	Qty.
1	8255	SCREW,HHC,3/8-16 X .75.....	6	21	27813	COIL,D01,10V***.....	2
2	6021	WASHER,LOCK,.375.....	8			<i>to SN 611</i>	
3	6097	WASHER,FLAT,USS,3/8",Y.....	6	--	233763	COIL, WITH DE CONNECTOR.....	2
4		Ref. Ground Controls (refer to figures 5-E and 5-F, pages 5-18 and 5-22).....	6			<i>non-oscillating models; from SN 612</i>	
5	94077	SENSOR,LEVEL,4.5 DEG.....	1	22	45914	O-RING, DO1 VALVE.....	2
6	6888	SCREW,HHC,1/4-20 X 1.....	2			<i>to SN 611</i>	
7	6638	WASHER,FLAT,USS,1/4"Y.....	4	--	48648	O-RING, D03 COIL.....	2
8	6091	NUT,NYLOCK,1/4-20.....	6			<i>non-oscillating models; from SN 612</i>	
9	6090	SCREW,HHC,1/4-20 X .75.....	4	23	45913	NUT,DO1 VALVE.....	2
10	30668	MANIFOLD,FUNCTN S40,S60,S80.....	1			<i>to SN 611</i>	
		<i>to SN 547</i>		--	48649	NUT-D03 COIL.....	2
--	146167	MANIFOLD,FUNCTION S40.....	1			<i>non-oscillating models; from SN 612</i>	
		<i>from SN 548</i>		24	30444	SCREW,SHC,1/4-20 X 2.....	2
11	13002	SCREW,HHC,5/16-18 X 1 GR5.....	4	25	24675	SUB PLATE (SPOOL VALVE).....	1
12	6886	WASHER,LOCK,.313.....	4	26		Ref. Hydraulic Hoses & Fittings (refer to figure 5-H, page 5-28).....	1
13	30703	WLDMT.FUNCTION MAN. MNT. S40.....	1	27	30666	VALVE,FLOW REGULATOR 2.0 GPM.....	1
14	6175	SCREW,HHC,3/8-16 X 1.....	2			<i>oscillating models only</i>	
15	29868	SPRING CLIP,3/8-16.....	6	28	30677	WELDMENT,HYD TANK MODULE.....	1
16	30718P	BRACKET,AUX.PUMP MNT.PAINTED.....	1	29	8177	SCREW,HHC,1/2-13 X 1.5.....	3
17	27648	POWER UNIT,AUXILLARY DC1003.....	1	30	6095	WASHER,FLAT,USS,1/2",Y.....	3
		<i>3 port</i>		31	6198	NUT,NYLOCK,1/2-13.....	3
--	27914	MOTOR,12V DC (24573).....	1				
--	29417	PUMP ASSY,(27648).....	1				
--	29418	COUPLER - 27648 POWER UNIT...1					
--	29428	VALVE,CHECK.....	1				
--	29429	VALVE,RELIEF.....	1				
17A	32811	POWER UNIT,AUX PUMP 12VDC.....	1				
		<i>2 port, motor only is 32949</i>					
18	45916	SCREW,SHC,10-24 X 1.250 (D01).....	4				
19	6607	WASHER,LOCK,#10 PLTD.....	4				
20	146160	VALVE KIT,D03.....	1				
		<i>includes index numbers 21 through 23</i>					
--	41774	BOLT KIT,D03.....	1				
--	Ref.	<i>previous valve part 27446 is no longer available, order valve 146160, to SN 611</i>					

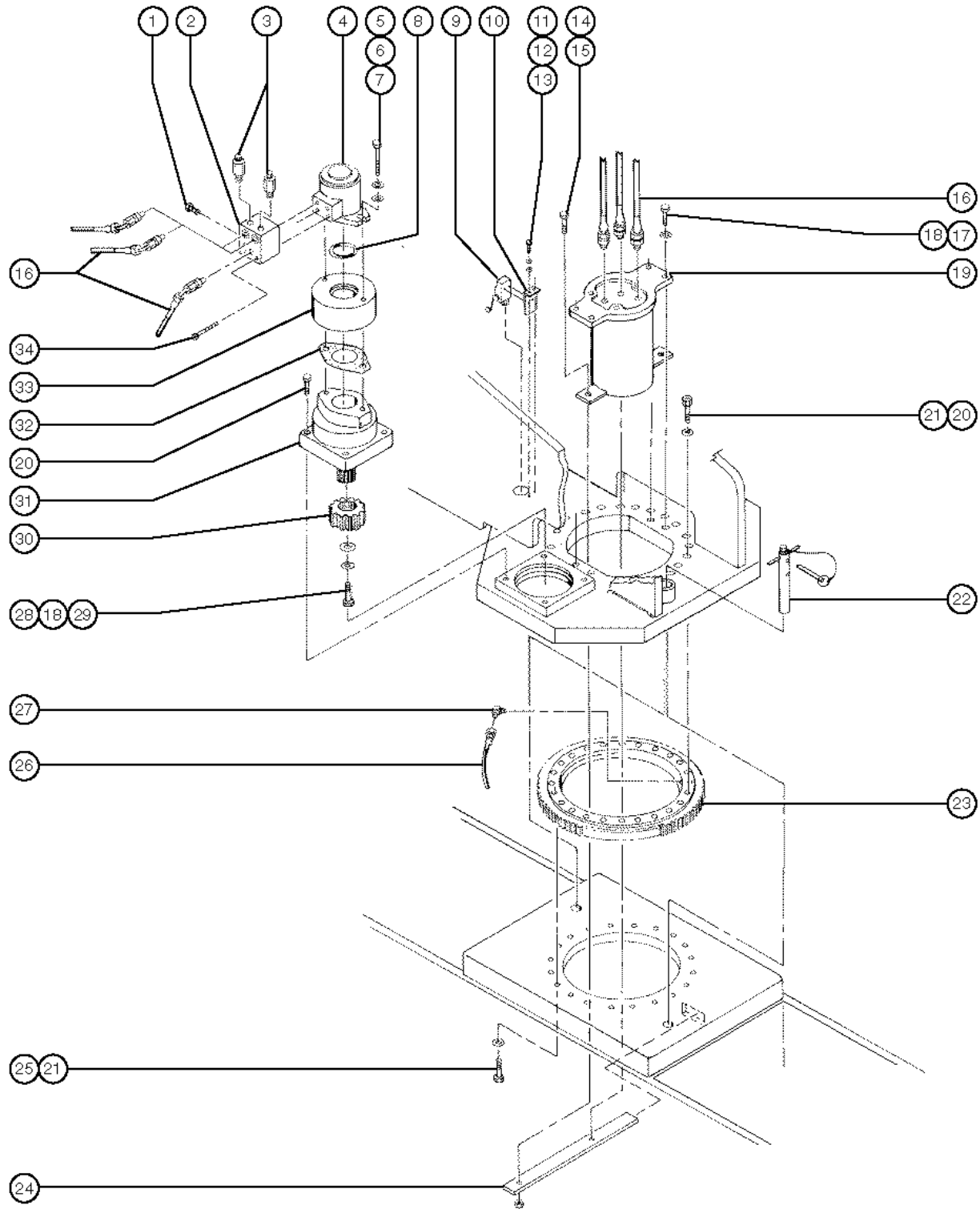
503.1 Function Manifold



503.1 Function Manifold

Item	Part No.	Description	Qty.	Item	Part No.	Description	Qty.
--	146167	MANIFOLD,FUNCTION S40.....1 <i>pervious manifold part 30668 and 40676 are no longer available. For a complete manifold replacement, customers must contact Genie service department.</i>	1	13	27802	VALVE,DIFFERENTIAL SENSING***.....2	2
--	25375	SEAL KIT (ALL MANIFOLDS)		14	32765	VALVE,RELIEF.....1	1
--	33512	VALVE,REGEN.SANDWICH from SN 548		15	52415	VALVE,RELIEF,2200 PSI***.....1	1
1	Ref.	VALVE,DO1.....5 <i>pervious DO1 valve 27811 is no longer available. For replacement must order DO3 valve 146165 and service bolt kit 41774</i>	5	16	45921	RETAINER-N.C.PROPOR.SOLENOID.2	2
--	146165	VALVE KIT,D03.....5 <i>from SN 612, kit comes with two inch screws, if customer needs four inch screws refer to 40617.</i>	5	17	45921	RETAINER-N.C.PROPOR.SOLENOID.2	2
--	41774	BOLT KIT,D03.....5 <i>use with DO3</i>	5	18	45914	O-RING, DO1 VALVE.....2	2
2	45916	SCREW,SHC,10-24 X 1.250 (D01).....20 <i>use with DO1</i>	20	19	21935	COIL, 12V, 19972/21623/29069.....2	2
--	43255	SCREW,SHC,10-24 X 2.....20 <i>use with DO3</i>	20	20	27801	VALVE,PROPORTIONAL SOLENOID***.....2 <i>includes 1 each index numbers 16-19</i>	2
3	6607	WASHER,LOCK,#10 PLTD.....24	24	21	27803	VALVE,SOLENOID.....1	1
4	31262	VALVE,COUNTERBALANCE.....2	2	--	27814	COIL,SOLENOID,10V.....1	1
5	31261	VALVE,COUNTERBALANCE SANDWICH.....1 <i>includes index number 3</i>	1	--	52943	NUT,SOLENOID VALVE.....1	1
6	27812	SCREW,SHC,10-24 X 3.....4	4	22	31100	VALVE,FLOW REGULATOR 0.6GPM.....2	2
7	32661	SCREW,SHC,10-24 X 1 (D01).....4	4	23	27804	VALVE,DIFFERENTIAL SENSING***.....1	1
8	32662	COVER PLATE (30668).....1	1	24	31099	VALVE,FLOW REGULATOR.....1	1
9	27813	COIL,D01,10V***.....12 <i>use with DO1; to SN 611</i>	12	25	48997	NIPPLE,DIAGNOSTIC,#4 PORT***.....1	1
--	29744	COIL,10V.....12 <i>use with DO3; from SN 612</i>	12	--	20224	DIAGNOSTIC FEMALE Q-DSCNT.....1	1
10	45914	O-RING, DO1 VALVE.....12 <i>use with DO1; to SN 611</i>	12	26	48880	CAP,DIAGNOSTIC NIPPLE.....1	1
--	48648	O-RING, D03 COIL.....12 <i>use with DO3; from SN 612</i>	12	27	32663	VALVE,RELIEF 2600 PSI.....1	1
11	45913	NUT,DO1 VALVE.....12 <i>use with DO1; to SN 611</i>	12	28	111705	VALVE,FLOW REGULATOR 3.5 GPM**.....1 <i>oscillating models only</i>	1
--	48649	NUT-D03 COIL.....12 <i>use with DO3; from SN 612</i>	12	--	30968	VALVE,FLOW REGULATOR 2.0 GPM.....1 <i>non-oscillating models only</i>	1
12	27807	VALVE,CHECK***.....5	5				

504.1 Turntable Rotation and Hydraulic Rotary Coupler Installation



504.1 Turntable Rotation and Hydraulic Rotary Coupler Installation

Item	Part No.	Description	Qty.	Item	Part No.	Description	Qty.
1	45483	VALVE,SHUTTLE*** <i>for manifold 31494</i>	1	21	13064	WASHER,FLAT,.625 HARDENED	40
2	102680	MANIFOLD,TURNTABLE ROTATION***	1	22	32731	PIN ASSEMBLY,TURNTBLE ROTATION	1
--	31519	O-RING (2-114) <i>for manifold 31494</i>	1	--	11637	PIN ASSY, RETAINER, SS I & II	1
3	31082	VALVE,COUNTERBALANCE 2500 PSI*	2	23	111648	BEARING,SERIES 3000	1
4	58958	MOTOR,SWING DRIVE (53147) <i>for manifold 31494 and 53147</i>		24	44341P	BAR,HYD.SWIVEL MOUNT PAINTED	1
--	62081	SEAL KIT, 58958 SWING MOTOR		25	21175	SCREW,SHC,5/8-11 X 4,A574	20
--	75684	MOTOR,TURNTABLE ROTATION*** <i>for TT swing drive 89885</i>		26	30886	HOSE ASSEMBLY,19"	1
--	75685	SEAL KIT,MOTOR TURNTABLE*** <i>for motor 75684</i>		27	20630	ELBOW,070202-4-4	1
5	7261	SCREW,HHC,1/2-13 X 5 BLACK	2	28	6175	SCREW,HHC,3/8-16 X 1	1
6	6033	WASHER,LOCK,0.5"	3	29	24039	WASHER,3/8 PLATE (3/8X2X3/16TK)	1
7	13066	WASHER,FLAT,.5 HARDENED	3	30	75677	SHAFT,OUTPUT,PINION,TURNTABLE. <i>for TT swing drive 89885</i>	1
8	22811	O-RING,MOTOR TO BRAKE*** <i>for TT swing drive 34425</i>	1	--	31493	PINION GEAR <i>for torque hub 94920</i>	
9	34961	SWITCH,LIMIT,W/ROLLER ARM	1	31	89885	SWING DRIVE ASSEMBLY,S40/Z60	1
--	19491	CONTACTOR,LIMIT SWITCH	1	--	58916	SEAL,SHAFT <i>for torque hub 94920</i>	1
--	27643	ROLLER ARM-LIMIT SWITCH	1	--	94920	TORQUE HUB-SWING*** <i>not part of 89885; to SN 6029</i>	1
10	30783P	LIMIT SWITCH BRKT,DRIVE,PAIN	1	32	43683	O-RING,2-042 N674-70*** <i>for TT swing drive 89885</i>	1
11	6090	SCREW,HHC,1/4-20 X .75	2	--	52087	O-RING,2-044 BUNA*** <i>for TT swing drive 34425</i>	1
12	6356	WASHER,LOCK,.25	2	33	75686	BRAKE ASSEMBLY,TURNTABLE ROT	1
13	6638	WASHER,FLAT,USS,1/4"Y	2	--	29291	SEAL KIT,MICO <i>for brake Mico 41915</i>	1
14	8177	SCREW,HHC,1/2-13 X 1.5	2	--	31500	BEARING KIT,MICO <i>for brake Mico 41915</i>	1
15	6198	NUT,NYLOCK,1/2-13	2	--	31502	SPRING KIT,MICO <i>for brake Mico 41915</i>	1
16		Ref. Hydraulic Hoses & Fittings (refer to figure 508.1)	2	--	58915	LINING REPAIR KIT (41915)	1
17	6019	SCREW,HHC,3/8-16 X 1.25 GRD 5	4	--	62466	SEAL KIT,BRAKE,TURNTABLE ROT	1
18	6021	WASHER,LOCK,.375	5	--	65608	BEARING KIT, AUSCO*** <i>for brake 73918</i>	1
19	44367	HYD SWIVEL,7 PORT,S40/60 <i>check stamping on part then verify with Genie Parts for correct seal kit.</i>	1	--	73918	BRAKE,SWING,2800 IN/LB	1
--	44341P	BAR,HYD.SWIVEL MOUNT PAINTED	2	--	75658	LINING KIT,AUSCO (73918)***	1
--	44611	SEAL KIT,SWIVEL (44367)	2				
20	19418	SCREW,SHC,5/8-11 X 1.75	20				

504.1 Turntable Rotation and Hydraulic Rotary Coupler Installation  
(continued)

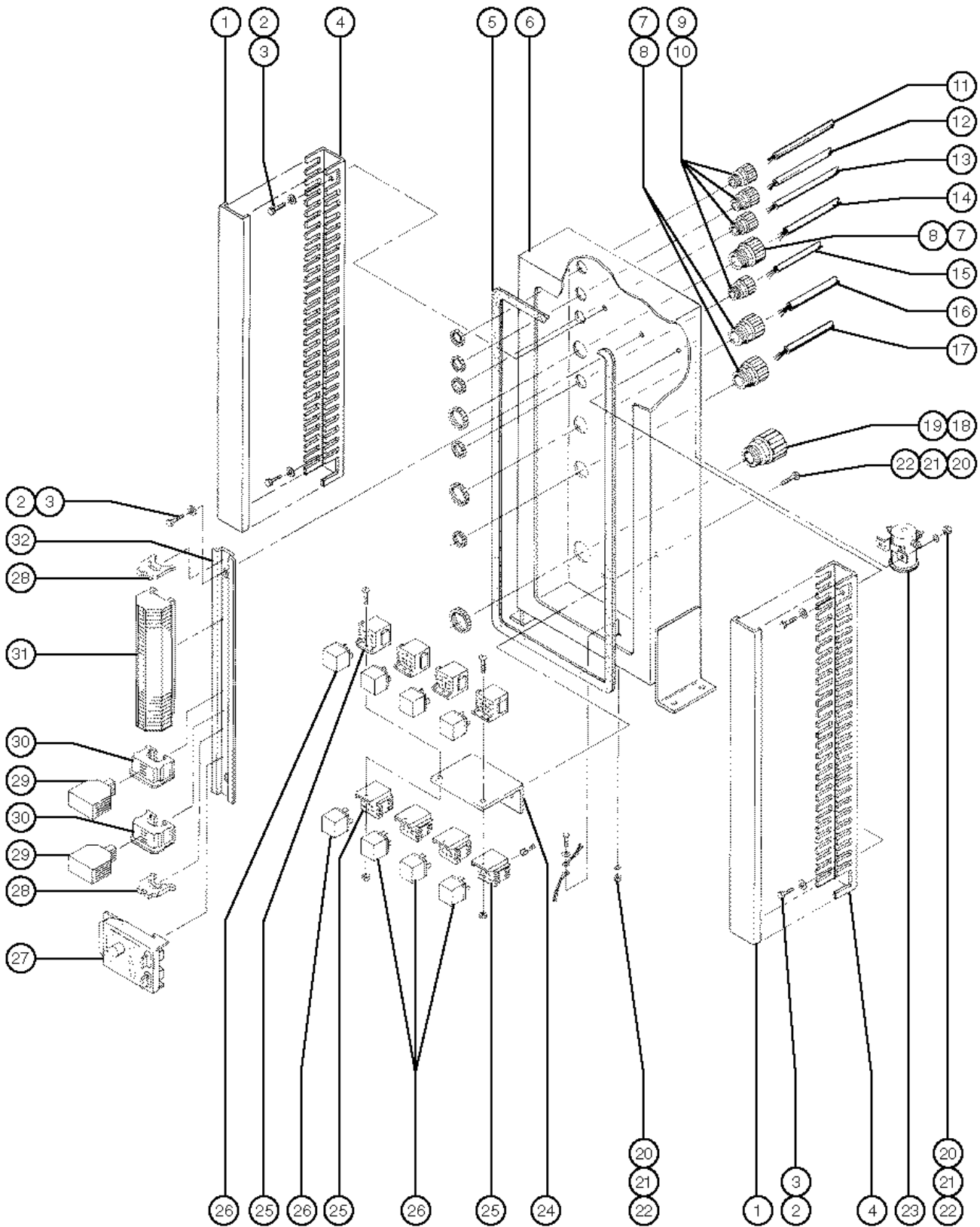
Item	Part No.	Description	Qty.
--	75659	SEAL KIT, AUSCO (73918).....	1
--	75682	DISC KIT DRIVE TURNTABLE Z-60*.....	1
		<i>for brake 75686</i>	
--	75683	SPRING,DRIVE TURNTABLE.....	1
		<i>for brake 75686</i>	
34		Ref. Screw - SHC, 5/16 -18 x 3 inches.....	4
		<i>for torque hub 19585</i>	

---

504.1 Turntable Rotation and Hydraulic Rotary Coupler Installation  
(continued)

***This Page Intentionally Left Blank***

505.1 Ground Controls - View 1

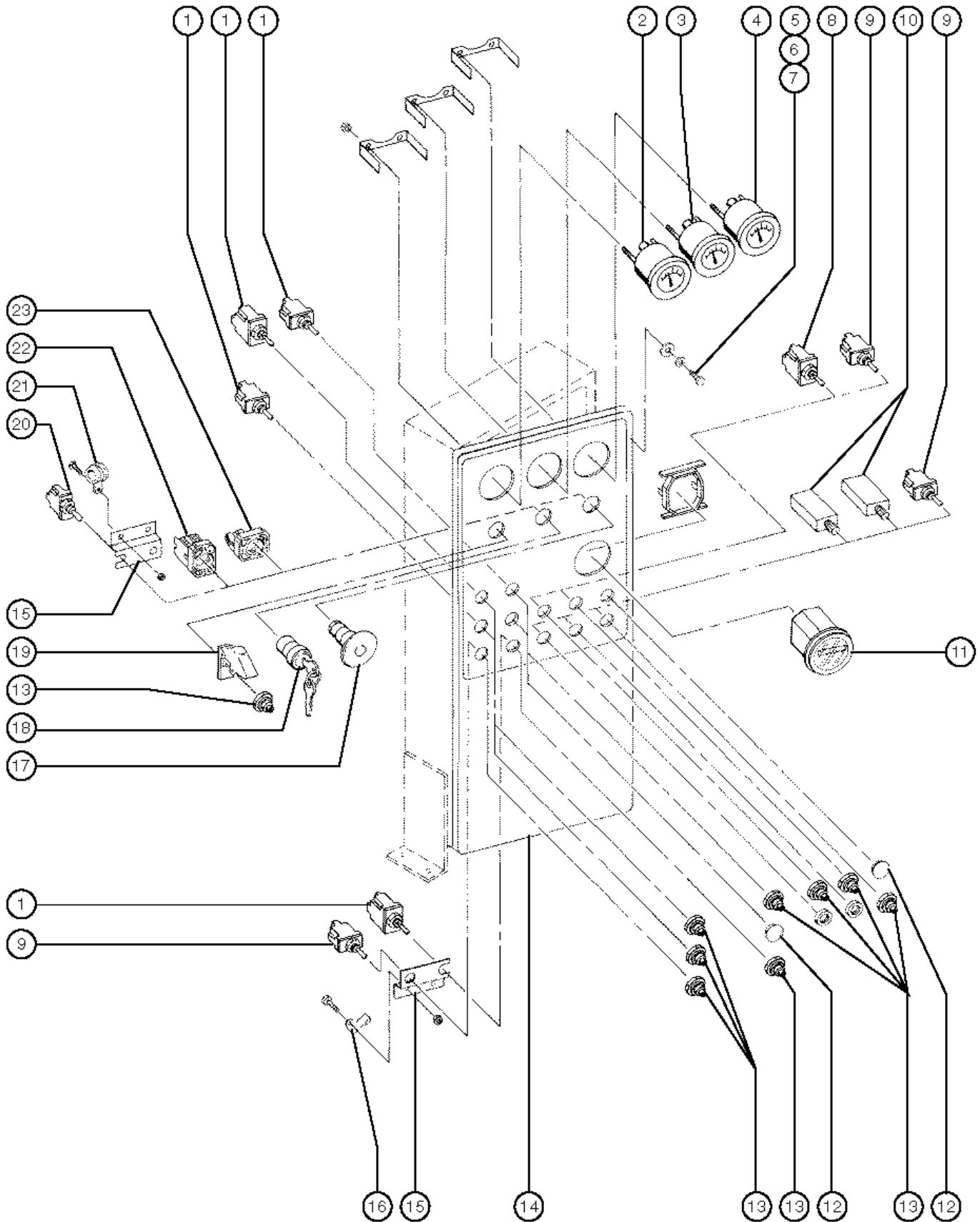




505.1 Ground Controls - View 1

Item	Part No.	Description	Qty.	Item	Part No.	Description	Qty.
1	29607	WIRING DUCT/COVER, 1 X 72 IN**		--	34503	COVER,PROTECTIVE,SLAVE W/JIB.....	5
2	6090	SCREW,HHC,1/4-20 X .75.....	7			<i>Deutz Diesel models; terminals not included</i>	
3	6356	WASHER,LOCK,..25.....	6				
4	29607	WIRING DUCT/COVER, 1 X 72 IN**		--	34504	Terminal - Relay Socket, 10 - 12 Gauge.....	5
5	121599	GASKET,GBOX,S80/85 2008.....	1				
6	32659	CONTROL BOX W/DECAL,GROUND.....	1	26	34052	RELAY,SPDT,12V(AUTO) PLUG IN**.....	8
		<i>includes index number 5</i>				<i>Gasoline/LPG models</i>	
7	12960	CABLE SQUEEZE CONN.,XTRA LRG.....	3	--	30452	HOSE ASSY,18".....	5
						<i>Deutz Diesel models</i>	
8	14041	LOCKNUT,ELECTRIC,3/4".....	3	27	56057	MODULE,IGNITION/START,12/24V.1	
9	7056	CONN,SQUEEZE,1/2NPT .38-.50,SM.....	4	28	25974	PLASTIC END STOP.....	2
10	6935	LOCKNUT,ELEC,1/2".....	4	29	25807	DIODE BLOCK SUPPRESSION....	2
11	1505	WIRE CABLE,16/2 SJO,BULK.....	220-inches	30	25808	CARRIER TERMINAL(5 PER BLOCK).....	2
12	6918	WIRE CABLE,16/3 SJO,BULK.....	145-inches	31	25836	TERMINAL BLOCK(SINGLE),WAGO***.....	50
13	6562	WIRE CABLE,16/4 SJO,BULK.....	95-inches	32	28310	DIN RAIL,23.75".....	1
14	35934	WIRE CABLE,18/19 CON.TPRJKT.....	720-inches				
15	30794	WIRE,12/3 SJEOW,BULK,BLK-WHT-G.720-inches					
16	35934	WIRE CABLE,18/19 CON.TPRJKT.....	720-inches				
17	35934	WIRE CABLE,18/19 CON.TPRJKT.....	60-inches				
18	20776	CABLE SQUEEZE CONN.....	1				
19	18665	LOCKNUT,ELECTRIC,1" NPT.....	1				
20	6888	SCREW,HHC,1/4-20 X 1.....	5				
21	6638	WASHER,FLAT,USS,1/4"Y.....	5				
22	6091	NUT,NYLOCK,1/4-20.....	5				
23	27155	SOLENOID,12V CONTINUOUS***.....	1				
24	34057P	ANGLE,RELAY MOUNTING,PAINTED.....	1				
25	34053	ASSY,RELAY SOCKET, AUTO.....	8			<i>Gasoline/LPG models; terminals not included</i>	
--	34055	TERM RELAY,N-INSULATE 14-16 GA.....	5				
--	34056	TERM,RELAY,N-INSULATE 18-20 GA.....	5				

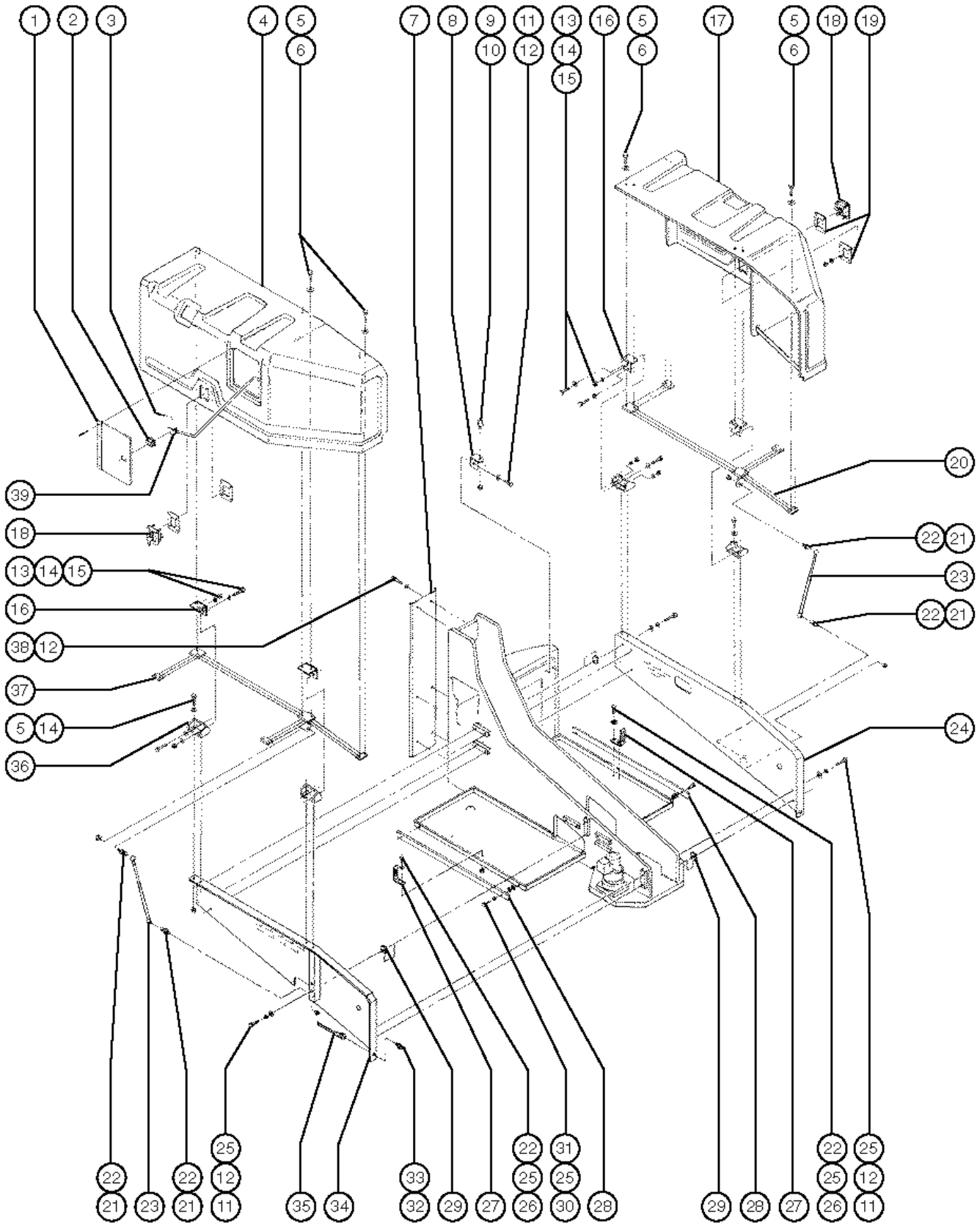
506.1 Ground Controls - View 2



506.1 Ground Controls - View 2

Item	Part No.	Description	Qty.	Item	Part No.	Description	Qty.
1	128202	SWITCH TOGGLE ASSY DPDT 3P MOM.....4 <i>includes mounting fasteners</i>	4	19	13471	COVER, AUXILIARY POWER SWITCH.....1	1
2	53759-S	GAUGE,WATER TEMP.....1 <i>includes mounting bracket</i>	1	20	128201	SWITCH TOGGLE ASSY DPDT 2P MOM.....1 <i>includes mounting fasteners</i>	1
3	53758-S	GAUGE,OIL PRESSURE W/O SENDER.....1 <i>includes mounting bracket</i>	1	21	13268	CLAMP,0.75,#12 X 1/4,RUB CUSH.....1	1
4	53761-S	GAUGE,VOLTAGE.....1 <i>includes mounting bracket</i>	1	22	66821	BASE,WITHOUT CONTACTS.....1	1
5	6090	SCREW,HHC,1/4-20 X .75.....3	3	--	66816	CONTACT,N.O.....1	1
6	6356	WASHER,LOCK,.25.....3	3	23	122514	KIT,ESTOP SVC BB&SM BOOM.....1 <i>includes item 17</i>	1
7	6638	WASHER,FLAT,USS,1/4"Y.....3	3	--	66818	CONTACT,NC.....1	1
8	128205	SWITCH TOGGLE ASSY DPDT 2P MNT.....1 <i>includes mounting fasteners</i>	1	--	66821	BASE,WITHOUT CONTACTS	
9	128200	SWITCH TOGGLE ASSY SPDT 3P MOM.....3 <i>includes mounting fasteners</i>	3				
10	147094	ASSY, CIRCUIT BREAKER 15A.....2 <i>includes mounting fasteners</i>	2				
11	19506	HOUR METER,10-80 VOLTS*** .....1 <i>includes mounting bracket</i>	1				
12	229567	PLUG, SANTOPRENE .5 BLACK DOME.....2	2				
13	27246	BOOT,TOGGLE SWITCH,SHORT*.....9	9				
14	32659	CONTROL BOX W/DECAL,GROUND.....1	1				
--	121599	GASKET,GBOX,S80/85 2008.....1	1				
15	54525	BRACKET-PANEL-WIRE MOUNTING 99.....2	2				
16	27287	RESISTOR,10 OHM,25 WATT.....1	1				
17	66812	BUTTON,PUSH,RED MUSHROOM HEAD.....1	1				
--	146478	BOOT(BELLOWS),E-STOP,BLACK					
18	122512	KIT,KEYSWITCH SVC BB & SM BOOM.....1 <i>includes item 22</i>	1				
--	122366	KEYSWITCH,CONTACTS LOCK.....1	1				
--	21982	KEY,SINGLE*** .....1	1				
--	37947	KEYS,10 PACK*** .....1	1				
--	66811	KEYSWITCH,3POS.MNTND.DR WKEY** .....1 <i>includes keyswitch and two keys, not included: base or contacts.</i>	1				

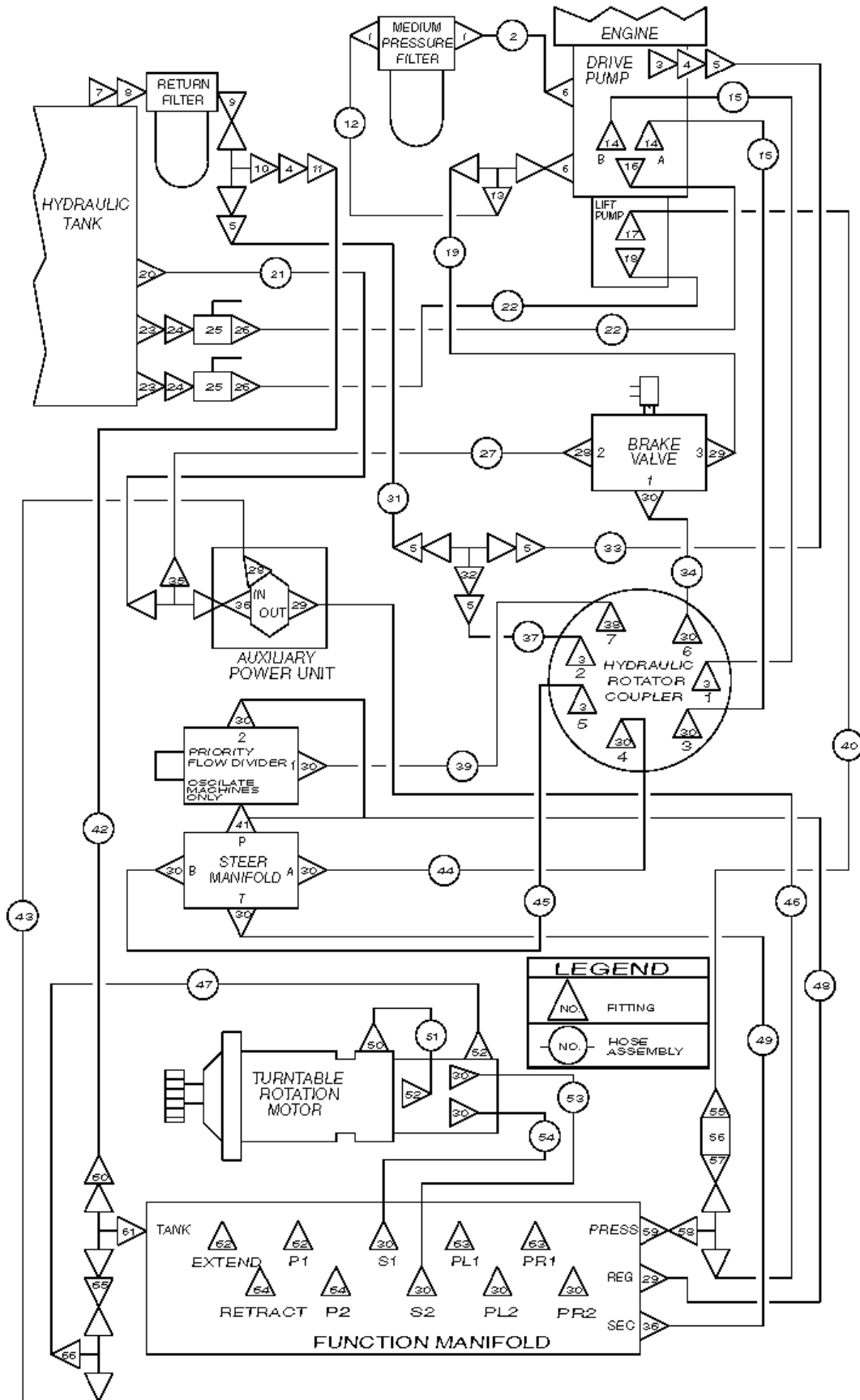
507.1 Turntable Covers



507.1 Turntable Covers

Item	Part No.	Description	Qty.	Item	Part No.	Description	Qty.
1	30751P	COVER,LOWER CONT. BOX PAINTD.....	1	24	30744	COVER SUPPORT WELDMENT RH.....	1
2	30468	LATCH,SLIDE, FLUSH MOUNT STYLE.....	1	25	6097	WASHER,FLAT,USS,3/8",Y.....	24
3	8920	RIVET,ALUM,ALUM,P, 156 X .375.....	7	26	6019	SCREW,HHC,3/8-16 X 1.25 GRD 5.....	4
4	32756	COVER ASSY,TANK SIDE,T.TABLE.....	1	27	30277P	COVER LATCH ANGLE,PAINTED.....	2
		<i>includes index numbers 1, 2, 3, 18, 19 and 39</i>		28	30961	BAR,TURNTABLE COVER STOP...2	
--	34619	BUMPER,RUBBER*** .....	4	29	29868	SPRING CLIP,3/8-16.....	20
5	8915	SCREW,HHC,1/4-20 X 1.25.....	24	30	16439	SCREW,FHS,3/8-16 X 1.....	6
6	12906	WASHER,FENDER,.25 X 1.25 X.062.....	20	31	7713	NUT,LP NYLOCK,3/8-16.....	6
7	32757	COVER ASSY,REAR,TURNTABLE.....	1	32	30430	BULKHEAD,FEMALE X 4.....	1
8	53033P-S	BRKT,TRNTBL,COV ADJ,RH,PAINTED.....	1	33	28646	ZERK,GREASE,1/8 NPT.....	1
--	30965P	BRACKET,T.T.COVER ADJ.LH,PNTD.....	1	34	30743	COVER SUPPORT WELDMENT LH.....	1
9	30973	BUMPER,RUBBER-1 X 1.25.....	2	35	30886	HOSE ASSEMBLY,19".....	1
10	18504	NUT,LOCKING-LG.FLANGE,1/4-20.2		36	35949P-S	BRACKET,COVER HINGE,BLUE....	4
11	6175	SCREW,HHC,3/8-16 X 1.....	20	37	30759	COVER SUPPORT WELDMENT LH.....	1
12	6021	WASHER,LOCK,.375.....	20	38	8255	SCREW,HHC,3/8-16 X .75.....	6
13	6888	SCREW,HHC,1/4-20 X 1.....	12	39	30486	DOOR CATCH,BASE CONTROL BOX.....	1
14	6638	WASHER,FLAT,USS,1/4"Y.....	24				
15	6091	NUT,NYLOCK,1/4-20.....	12				
16	75073	HINGE,.375X.120THK.,SLOTTED...4					
17	32758	COVER ASSY,ENGINE,GAS/LPG...1					
		<i>includes index numbers 18 and 19</i>					
--	34619	BUMPER,RUBBER*** .....	4				
18	28125	LATCH,FLUSH CUP*** .....	2				
--	29314	KEY,LATCH, 1 PAIR (28125).....	2				
19	28471	PLATE,SWING COVER LATCH.....	4				
20	30760	COVER SUPPORT WELDMENT RH.....	1				
21	27114	BALL STUD,1/2" BALL,3/8-16X1.2.....	4				
22	4828	NUT,NYLOCK,3/8-16.....	8				
23	83151	GAS STRUT*** .....	2				
		<i>strut includes sockets</i>					
--	27114	BALL STUD,1/2" BALL,3/8-16X1.2.....	2				
--	27377	RETAINER,GAS SPRING*** .....	2				

508.1 Hydraulic Hoses and Fittings



508.1 Hydraulic Hoses and Fittings

Item	Part No.	Description	Qty.	Item	Part No.	Description	Qty.
1	25951	ELBOW,070220-8-12.....	2	30	45412	CONNECTOR,070120-6-6.....	15
2	30861	HOSE ASSEMBLY,36.50".....	1	31	30858	HOSE ASSEMBLY,42.25".....	1
		<b>1</b>				<b>8</b>	
3	19687	CONNECTOR,070120-12-12.....	4	32	28445	TEE,UNION,070401-12.....	1
4	20022	ELBOW,070221-12-12.....	2	33	30859	HOSE ASSEMBLY,35.25".....	1
5	45170	HOSE END,BARBED,SWIVEL,-12-12.....	5			<b>8</b>	
6	22665	CONNECTOR,070120-8-10.....	2	34	30959	HOSE ASSEMBLY,41".....	1
7	30342	ELBOW,140238-16-16.....	1			<b>8</b>	
8	30343	NIPPLE,HEX,140137-16.....	1	35	13119	TEE,RUN,070428-6-6.....	1
9	27202	ELBOW,070202-12-16.....	1	36	18687	CONNECTOR,070120-6-8.....	2
10	20326	TEE,RUN,070432-12.....	1	37	30857	HOSE ASSEMBLY,26.25".....	1
11	45359	HOSE END,BARBED,SWIVEL,-12-12.....	1			<b>8</b>	
12	30959	HOSE ASSEMBLY,41".....	1	38	45412	CONNECTOR,070120-6-6.....	1
		<b>2</b>		--	45395	PLUG,HEX HEAD,090109A-6.....	1
13	21252	TEE,RUN,070432-8.....	1			<i>non-oscillating models only</i>	
14	30831	ELBOW,070320-12-16.....	2	39	34038	HOSE ASSEMBLY,44".....	1
15	30860	HOSE ASSEMBLY,52".....	2			<b>8</b>	
		<b>3</b>		40	30855	HOSE ASSEMBLY,45.75".....	1
16	20709	CONNECTOR,070120-16-16.....	1			<b>9</b>	
17	24058	ELBOW,070320-8-10.....	1	41	30877	ADAPTER,STR.THRD.TO STR.THRD.....	1
18	20710	CONNECTOR,070120-16-12.....	1			<i>oscillating models only</i>	
19	30870	HOSE ASSEMBLY,41".....	1	--	45412	CONNECTOR,070120-6-6.....	1
		<b>4</b>				<i>non-oscillating models only</i>	
20	10355	CONNECTOR,070102-6-6.....	1	42	30854	HOSE ASSEMBLY,15".....	1
21	30869	HOSE ASSEMBLY,24.50".....	1			<b>9</b>	
		<b>5</b>		43	30863	HOSE ASSEMBLY,14.75".....	1
22	30862	HOSE ASSEMBLY,41".....	2			<b>10</b>	
		<b>6</b>		44	30871	HOSE ASSEMBLY,44.50".....	1
23	45161P	STRAINER ASSEMBLY,PAINTED.....	2			<b>10</b>	
24	27191	ELBOW,140339-16-16.....	2	45	30872	HOSE ASSEMBLY,41".....	1
25	30347	VALVE,BALL,1" MPT X FPT.....	2			<b>10</b>	
26	45166	HOSE END,BARBED RIGID-16-16.....	2	46	30868	HOSE ASSEMBLY,25".....	1
27	30873	HOSE ASSEMBLY,42".....	1			<b>10</b>	
		<b>7</b>		47	30864	HOSE ASSEMBLY,27".....	1
28	13756	CONNECTOR,070120-4-6.....	2			<b>11</b>	
29	13120	ELBOW,070220-6-6.....	3	48	30874	HOSE ASSEMBLY,37.75".....	1
						<b>12</b>	

508.1 Hydraulic Hoses and Fittings  
(continued)

Item	Part No.	Description	Qty.	Item	Part No.	Description	Qty.
49	34037	HOSE ASSEMBLY,32.0".....1 12	1				
50	13921	ELBOW,070220-4-4.....1	1				
51	30867	HOSE ASSEMBLY,16.75".....1 12	1				
52	13755	CONNECTOR,070120-4-4.....2	2				
53	30866	HOSE ASSEMBLY,19.25".....1 12	1				
54	30865	HOSE ASSEMBLY,21.38".....1 12	1				
55	45349	ELBOW,070320-8-8.....1	1				
56	31798	VALVE,CHECK,#8 O-RING PORTS.....1	1				
57	31797	ADAPTER,6402-8-8.....1	1				
58	22540	TEE,BRANCH,070429-8-8.....1	1				
59	27192	ADAPTER,O-RING,G6410-10-8.....1	1				
60	30591	PLATE,SIDE CHASSIS.....1	1				
61	30875	TEE,BRANCH,070429-10-10.....1	1				
62	32156	CONNECTOR,070122-8-8.....2	2				
63	45412	CONNECTOR,070120-6-6.....2	2				
64	45703	CONNECTOR,070120-8-8.....2	2				
65	30876	REDUCER,070123-10-4.....1	1				
66	13757	TEE,RUN,070432-4.....1	1				



508.1 Hydraulic Hoses and Fittings  
(continued)

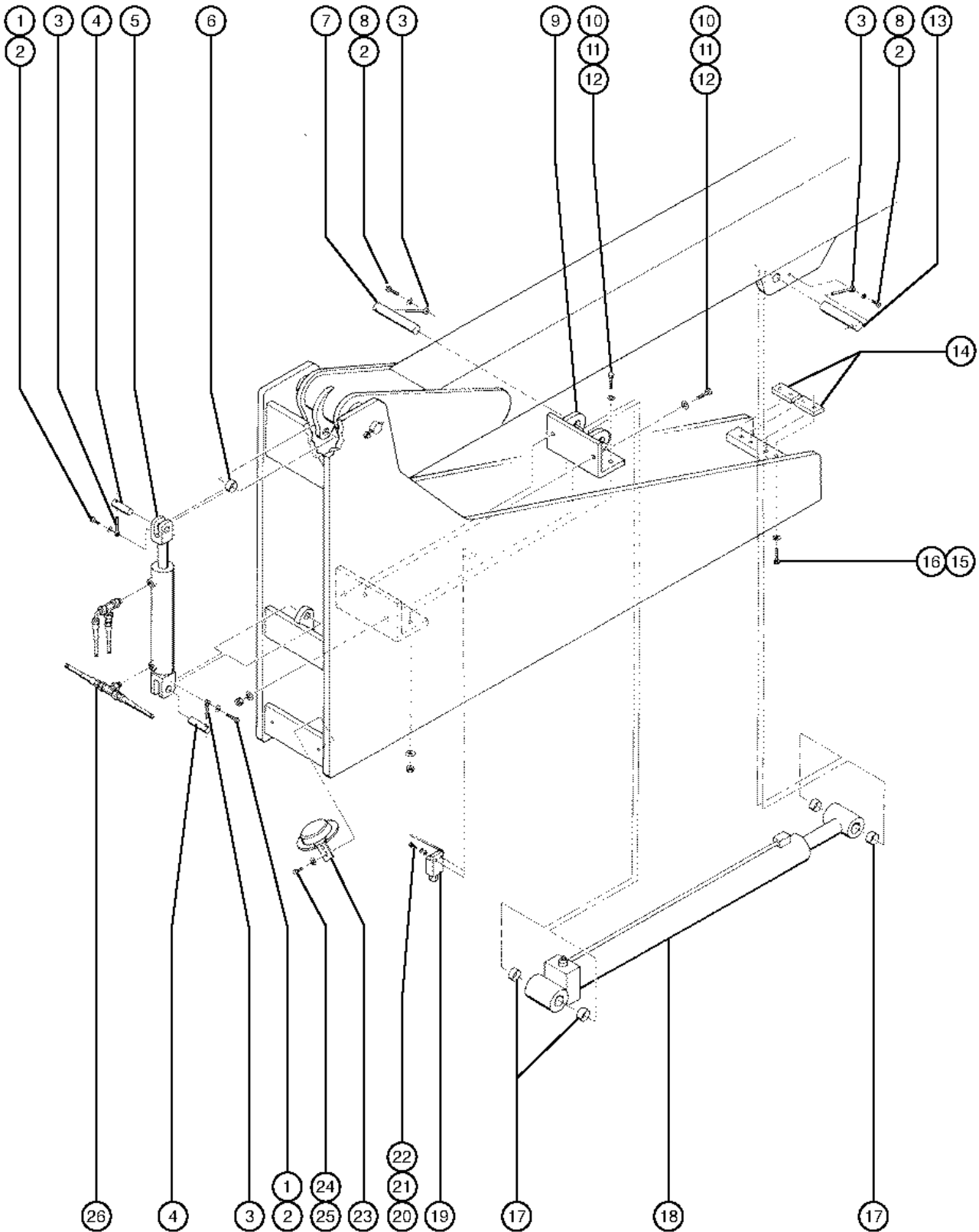
Item	Part No.	Description	Qty.	Item	Part No.	Description	Qty.
------	----------	-------------	------	------	----------	-------------	------

508.1 Hydraulic Hoses and Fittings  
(continued)

Item	Part No.	Description	Qty.	Item	Part No.	Description	Qty.
<b>Footnotes</b>							
<b>1:</b>		Hose End - 90o Female JIC Swivel, 8-8 (Synflex 3903-08648), Hose End - Female JIC Swivel, 8-8 (Synflex 3903-08548) & Hose - 1/2" Thermoplastic High Pressure (Synflex 3800-08)				- 1/4" Thermoplastic Medium Pressure (Synflex 3130-04)	
<b>2:</b>		Hose End - Female JIC Swivel, 6-4 (Synflex 3903-06544), Hose End - Female JIC Swivel, 6-4 (Synflex 3903-06544) & Hose - 1/4" Thermoplastic Medium Pressure (Synflex 3130-04)		<b>11:</b>		Hose End - Female JIC Swivel, 4-4 (Synflex 3903-04544), Hose End - Female JIC Swivel, 4-4 (Synflex 3903-04544) & Hose - 1/4" Thermoplastic Medium Pressure (Synflex 3130-04)	
<b>3:</b>		Hose End - Female JIC Swivel, 12-12 (Weatherhead 43012E-612), Hose End - 90o Female JIC Swivel, 12-12 (Weatherhead 43012E-672) & Hose - 3/4" 4 Spiral High Pressure (Weatherhead H43012)		<b>12:</b>		Hose End - Female JIC Swivel, 6-6 (Synflex 3903-06546), Hose End - Female JIC Swivel, 6-6 (Synflex 3903-06546) & Hose - 3/8" Thermoplastic Medium Pressure (Synflex 3130-06)	
<b>4:</b>		Hose End - Female JIC Swivel, 6-6 (Synflex 3903-06546), Hose End - 90o Female JIC Swivel, 8-6 (Synflex 3903-06648) & Hose - 3/8" Thermoplastic Medium Pressure (Synflex 3130-06)					
<b>5:</b>		Hose End - Female JIC Swivel, 6-6 (Synflex 3903-06546), Hose End - 90o Female JIC Swivel, 6-6 (Synflex 3903-06646) & Hose - 3/8" Thermoplastic Medium Pressure (Synflex 3130-06)					
<b>6:</b>		Hose End - 90o Female JIC Swivel, 16-16 (Weatherhead 16U-616) & Hose - 1.0" Suction (Weatherhead H03916)					
<b>7:</b>		Hose End - Female JIC Swivel, 4-4 (Synflex 3903-04544), Hose End - 90o Female JIC Swivel, 6-4 (Synflex 3903-06644) & Hose - 1/4" Thermoplastic Medium Pressure (Synflex 3130-04)					
<b>8:</b>		Hose - 3/4" Push On (Weatherhead H20112)					
<b>9:</b>		Hose End - Female JIC Swivel, 8-8 (Synflex 3903-08548), Hose End - 90o Female JIC Swivel, 8-8 (Synflex 3903-08648) & Hose - 1/2" Thermoplastic High Pressure (Synflex 3800-08)					
<b>10:</b>		Hose End - Female JIC Swivel, 4-4 (Synflex 3903-04544), Hose End - 90o Female JIC Swivel, 4-4 (Synflex 3903-04644) & Hose					

*This Page Intentionally Left Blank*

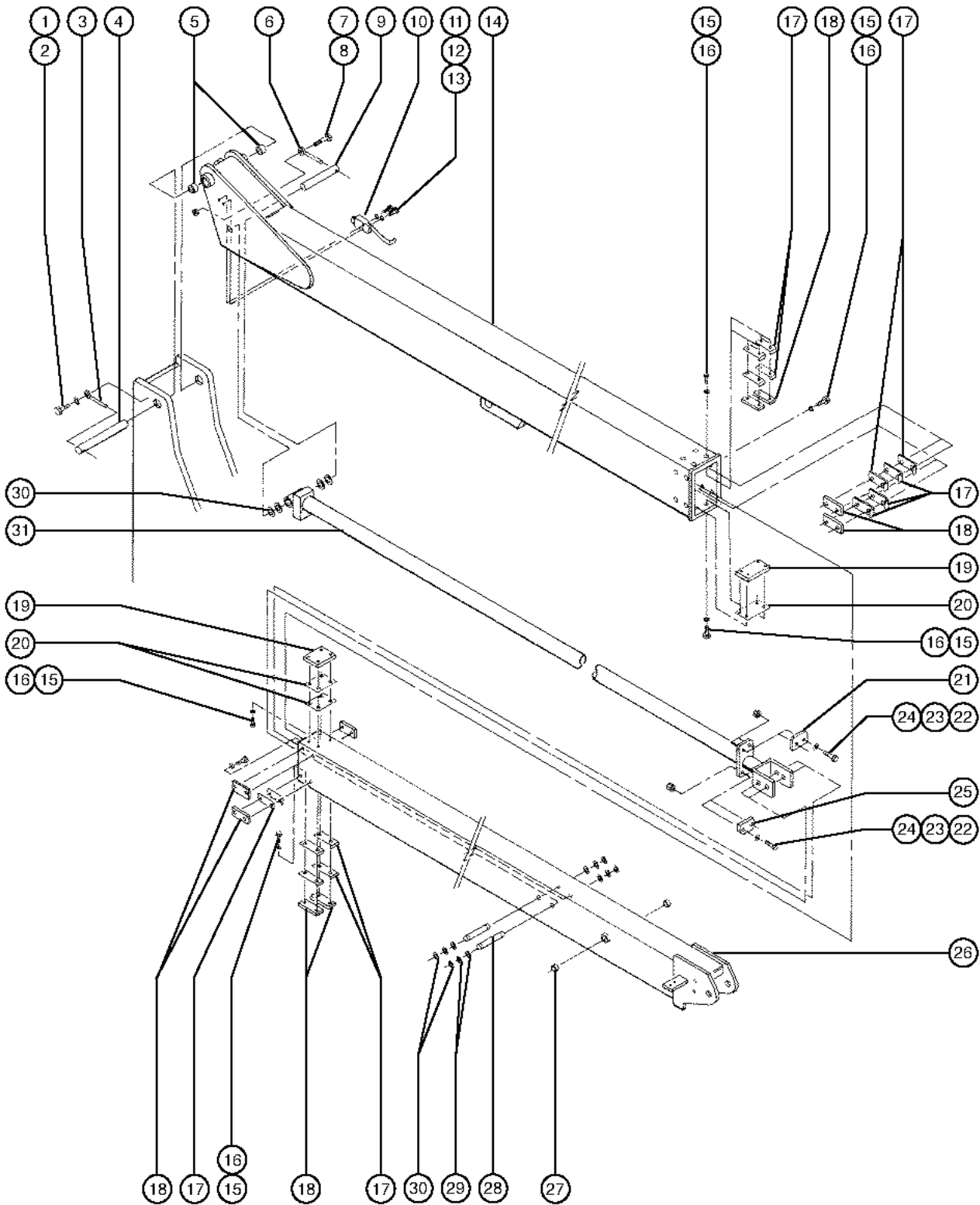
601.1 Boom Lift and Master Cylinder Installation



601.1 Boom Lift and Master Cylinder Installation

Item	Part No.	Description	Qty.	Item	Part No.	Description	Qty.
1	6175	SCREW,HHC,3/8-16 X 1.....	2	24	8255	SCREW,HHC,3/8-16 X .75.....	1
2	6021	WASHER,LOCK,.375.....	4	25	6097	WASHER,FLAT,USS,3/8",Y.....	1
3	45226	ROD END,.375 X 3.69.....	3	26		Ref. Hydraulic Hoses & Fittings (refer to figure 6-E, page 6-12).....	1
4	30734	PIN,1.00DIAX2.88LG,1HOLE.....	2				
5	81692	CYLINDER, MASTER, S40..... <i>always check stamped numbers on cylinder and verify with Genie Parts before ordering seal kits</i>	1				
--	31078	SEAL KIT,HYDRAULIC CYLINDER*** .....	1				
6	53452	BEARING,1.00IDX1.50ODX1.00L....	1				
7	30733	PIN,1.50DIAX7.75LG,1HOLE.....	1				
8	6019	SCREW,HHC,3/8-16 X 1.25 GRD 5.....	2				
9	30662	MACH.,PRIMARY CYLINDER MNT.....	1				
10	13003	SCREW,HHC,5/8-11 X 3.5 GRD.8...4					
11	13064	WASHER,FLAT,.625 HARDENED...8					
12	6024	NUT,NYLOCK,5/8-11.....	4				
13	30732	PIN,1.50DIAX6.38LG,1HOLE.....	1				
14	45209	WEAR PAD,4X2X.5 W/INSERT*** ...2					
15	6090	SCREW,HHC,1/4-20 X .75.....	4				
16	6886	WASHER,LOCK,.313.....	4				
17	45072	BEARING,GARLOCK,24DU24.....	4				
18	31106	VALVE,CNTERBAL,CBBB-LHN@3000** CYL PN 30529					
18	32713	SEAL KIT (CYL PN 30529) CYL PN 30529					
18	63206	CYLINDER,LIFT,S40..... <i>includes 4 each index number 17</i>	1				
--	63346	SEAL KIT CYL,S40 (63206) CYL PN 63206					
--	73806	VALVE,CNTERBALANCE-SUN@3000 CYL PN 63206					
19	88356-127J5	SWITCH,LIMIT,W/6.25"SPRING ARM.....	1				
--	106433	LS SPRING WAND (ZCY91)					
--	19491	CONTACTOR,LIMIT SWITCH					
20	16486	SCREW,RHM,10-32 X 1.75.....	2				
21	6607	WASHER,LOCK,#10 PLTD.....	2				
22	6146	WASHER,FLAT,MS,#10,Y.....	2				
23	56264	HORN,12V SCREW TERMINAL *** .....	1				

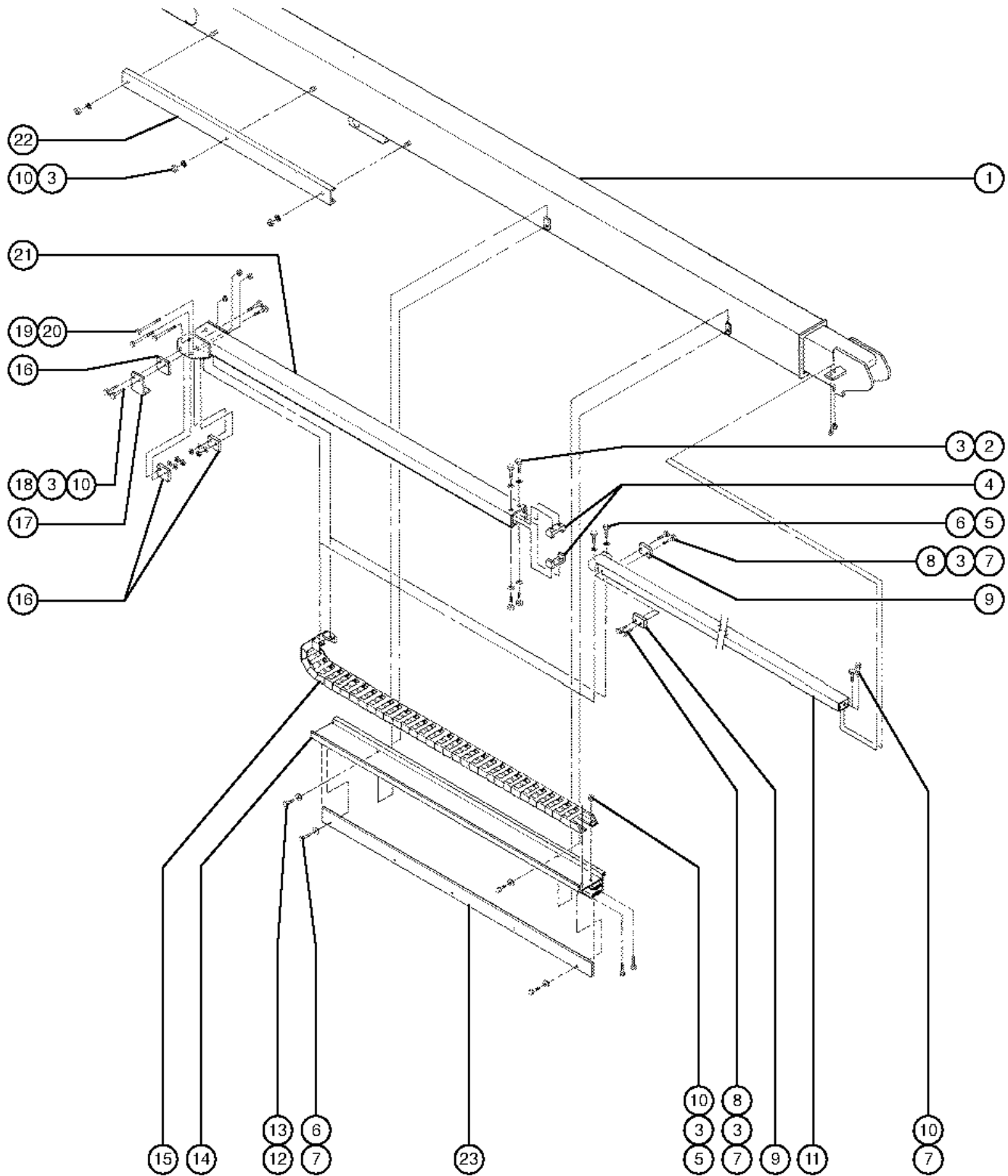
602.1 Boom Installation



602.1 Boom Installation

Item	Part No.	Description	Qty.	Item	Part No.	Description	Qty.
1	10597	SCREW,HHC,1/2-13 X 1.25 GR5.....1		26	73969	PRIMARY BOOM EXT ASSY,S-40***.....1 <i>(includes item number 27) (customer must also order part number 102143, for first time replacement)</i>	
2	6033	WASHER,LOCK,0.5".....1		27	30220	BEARING,1.25ID X 1.5OD X 0.69L.....2	
3	30418	ROD END,.50 X 4.....1		28	30729	PIN,1.00DIAX6.67LG,2RING.....2	
4	30731	PIN,PRIM.Boom,16.0 X 1.5 INCH.....1		29	30748	WASHER,SHIM,1.01 X 1.63 X.062.....12	
5	30738	BEARING,1.50IDX2.00ODX1.50LG.2		30	1253843	SNAP RING,EXTERNAL,1.00,ZAG.....4	
6	45226	ROD END,.375 X 3.69.....1		31	63202	CYLINDER,EXT.2.5" X 163.5".....1 <i>check stamped numbers on side of cylinder and verify with Genie Parts before ordering to ensure correct replacement</i>	
7	13918	SCREW,HHC,3/8-16 X 1.75,GRD.8.....1		--	32683	SEAL KIT (CYL PN 30528).....1	
8	4828	NUT,NYLOCK,3/8-16.....1		--	32712	VALVE,COUNTERBALCBBBLHN@2600.2	
9	30730	PIN,1.00DIAX9.46LG,2RING.....1		<b>Footnotes</b>			
10	34961	SWITCH,LIMIT,W/ROLLER ARM.....1		<b>1:</b> Quantity listed for this item is approximate. Actual quantity may vary, to ensure proper fit.			
--	19491	CONTACTOR,LIMIT SWITCH.....1					
--	30692	ARM, LIMIT SWITCH.....1					
11	16486	SCREW,RHM,10-32 X 1.75.....2					
12	6607	WASHER,LOCK,#10 PLTD.....2					
13	6178	NUT,NYLOCK,10-32.....2					
14	102143	PRIMARY BOOM ASSY,S40.....1 <i>(includes item 5 and PN 53452, refer to 601.1, item 6) (customer must also order part number 73969, for first time replacement)</i>					
15	8255	SCREW,HHC,3/8-16 X .75.....32					
16	6021	WASHER,LOCK,.375.....32					
17	29080	SHIM,WEAR PAD,5X 1.5 16GA.....24 <b>1</b>					
18	30138	WEAR PAD,5 X 1.5 X .625 W/NUTS.....12					
19	30741	WEAR PAD,6.5 X 5 X .75 W/INSER.....2					
20	30472	SHIM,PRIMARY BOOM,.064 THK.....4 <b>1</b>					
21	30581	PAD,EXTENSION CYLINDER, TOP.....1					
22	6637	SCREW,HHC,1/4-20 X 1.75.....6					
23	6638	WASHER,FLAT,USS,1/4"Y.....6					
24	6091	NUT,NYLOCK,1/4-20.....4					
25	30582	PAD,EXTENSION CYLINDER,BOTTOM.....1					

603.1 Cable Track Installation

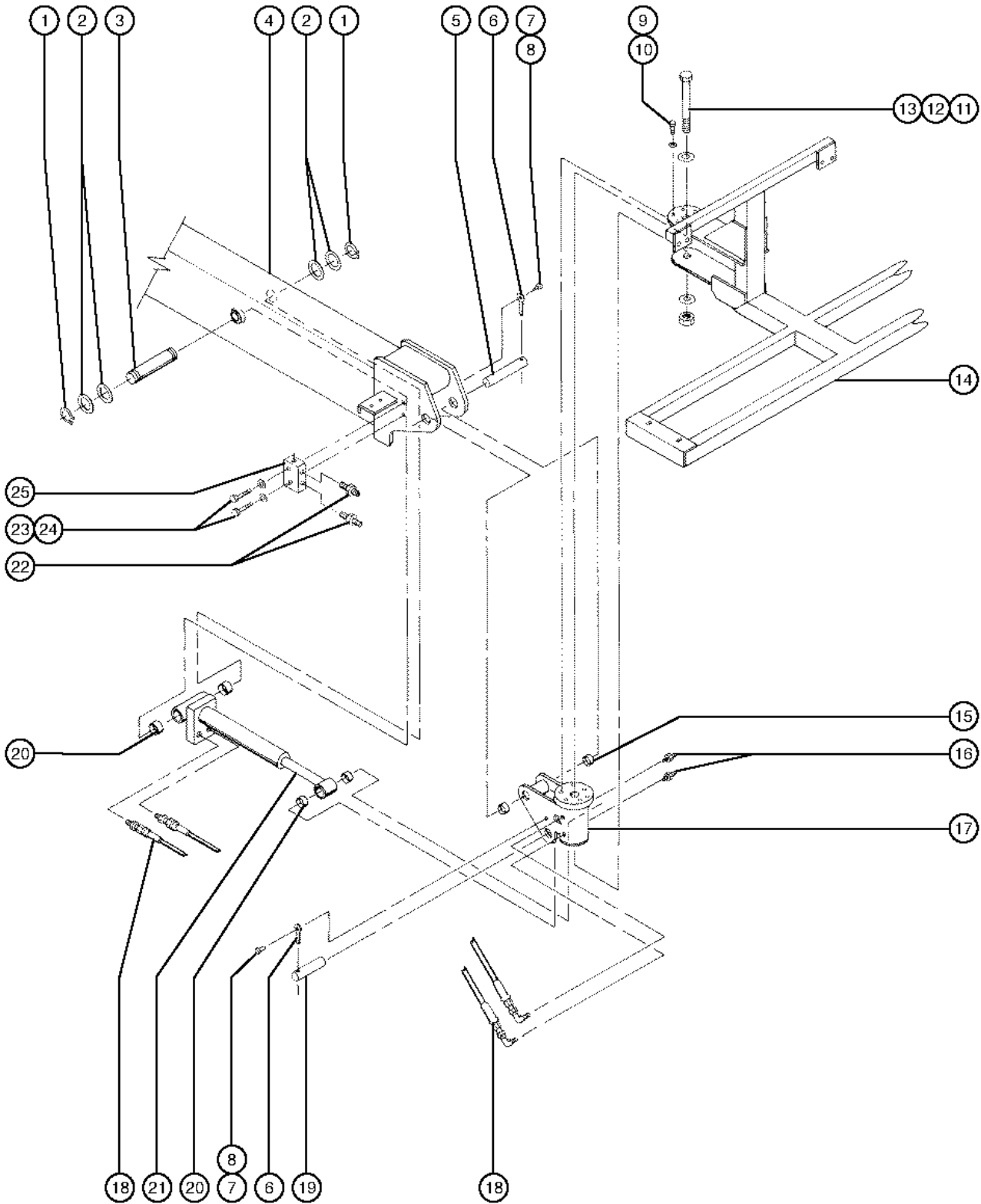




## 603.1 Cable Track Installation

Item	Part No.	Description	Qty.
1		Ref. Boom Installation (refer to figure 6-B, page 6-4)	
2	6888	SCREW,HHC,1/4-20 X 1.....	4
3	6638	WASHER,FLAT,USS,1/4"Y.....	17
4	30750	WEAR PAD,CABLE TRACK TUBE.....	2
5	8914	SCREW,HHC,1/4-20 X .625.....	4
6	6356	WASHER,LOCK,.25.....	7
7	6090	SCREW,HHC,1/4-20 X .75.....	11
8	6889	NUT,LP NYLOCK,1/4-20.....	4
9	31411	WEAR PAD,CABLE TRACK.....	2
10	6091	NUT,NYLOCK,1/4-20.....	11
11	30670-S	WLDMT.CABLE TRACK SUPP.TUBE.....	1
12	8255	SCREW,HHC,3/8-16 X .75.....	2
13	6021	WASHER,LOCK,.375.....	2
14	32684	CABLE TRACK TRAY ASSY S40.....	1
15	73994	CABLETRACK,PLATED, 41 LINK....	1
--	29480	TRACK REPAIR,7 LINK (25706)....	1
--	29481	PLASTIC TRACK BRKT SET.....	1
16	30749	WEAR PAD,CABLE TRACK TUBE.....	3
17	32685	BRACKET,CABLE TRACK GUIDE.....	1
18	4266	SCREW,HHC,1/4-20 X 2.....	4
19	22832	SCREW,HHC,3/8-16 X 6.....	3
20	7713	NUT,LP NYLOCK,3/8-16.....	3
21	30671-S	WLDMT.CABLE TRACK TUBE S40.....	1
22	25072P	HOSE COVER,LWR CABLE TRK,BLU.....	1
23	30757-S	COVER,CABLE TRACK TRAY.....	1

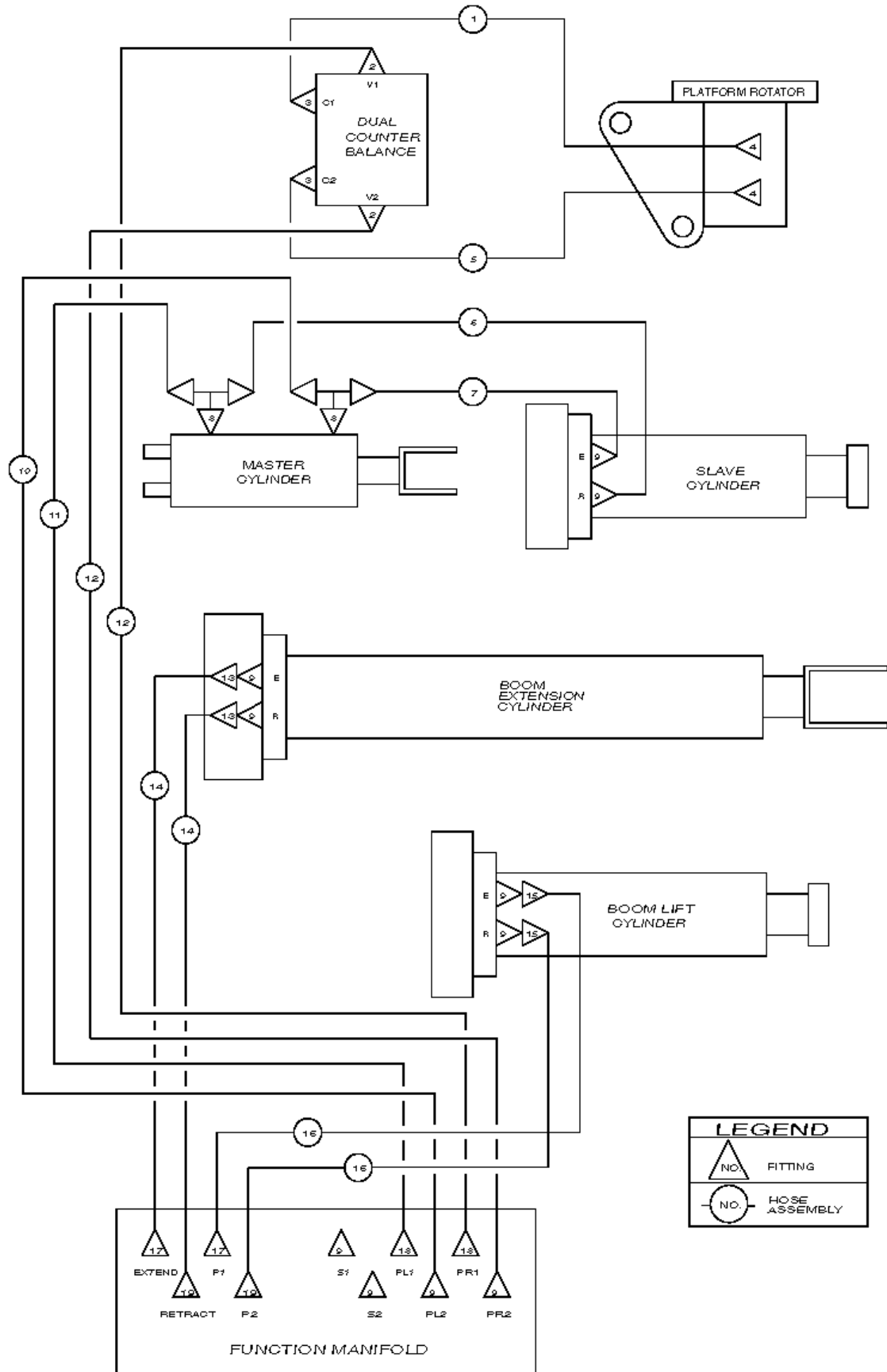
604.1 Slave Cylinder and Platform Rotator



604.1 Slave Cylinder and Platform Rotator

Item	Part No.	Description	Qty.	Item	Part No.	Description	Qty.
1	1253843	SNAP RING,EXTERNAL,1.00,ZAG.....	2	--	94398	ROTATOR,PLAT,NON-JIB..... <i>(INCLUDED IN ROTATOR UPDATE KIT PART NO 77874)</i>	1
2	30748	WASHER,SHIM,1.01 X 1.63 X.062.....	4	17B	31498	BEARING KIT,ROTATOR,9K***..... <i>for rotator 30669</i>	1
3	30728	PIN,1.25DIAX7.17LG,2RING.....	1	17B	65842	SEAL KIT,UNIVERSAL,9K ROTATOR*..... <i>for rotator 30669</i>	1
4		Ref. Boom Installation (refer to figure 602.1).....	1	18		Ref. Hydraulic Hoses & Fittings.....	1
5	30727	PIN,ROTATOR,8.13 X 1.25 INCH.....	1	19	T108075	PIN,1.25DIAX5.25LG,1HOLE.....	1
6	45226	ROD END,.375 X 3.69.....	2	20	25683	BEARING,POLYGON,20DU12.....	4
7	8516	SCREW,HHC,3/8-16 X 1.50,GR5.....	2	--	59266	BEARING, POLYGON P2055 (59105).....	4
8	4828	NUT,NYLOCK,3/8-16.....	2	21	81693	CYLINDER,SLAVE,S40/45..... <i>includes index number 20. check the stamped numbers on the cylinder prior to ordering with Genie Parts to ensure correct components.</i>	1
9	10597	SCREW,HHC,1/2-13 X 1.25 GR5.....	6	--	31078	SEAL KIT,HYDRAULIC CYLINDER***.....	1
--	27035	SCREW,SHC,3/8-16 X .75,BLACK..... <i>USE WITH ROTATOR PART NO 94398 (INCLUDED IN ROTATOR UPDATE KIT PART NO 77874)</i>	8	--	43169	VALVE,COUNTERBALANCE***.....	1
10	6033	WASHER,LOCK,0.5".....	6	--	75469	SEAL KIT CYL.S40 SLAVE (81693).....	1
11	30286	SCREW,HHC,1-8 X 12IN GRD.2***.....	1	--	77303	VALVE,CNTRBAL 3500PSI,ATM VEN.....	1
12	13775	WASHER,FLAT,1.063 X 2 X .134.....	2	22	32722	VALVE,COUNTERBALCBCG-LJN@3000.2	
13	29764	NUT,NYLOCK,1-8.....	1	23	6637	SCREW,HHC,1/4-20 X 1.75.....	2
14	50144-S	PLATFORM SUPPORT WELDMENT***.....	1	24	6638	WASHER,FLAT,USS,1/4"Y.....	2
15	30219	BEARING,FL,1.25ID X 1.41OD X 1.....	2	25	30823	VALVE,DUAL CB MANIFOLD..... <i>includes index number 22</i>	1
--	30378	PLATE,REINFORCEMENT.....	2				
16	13852	VALVE ASSY,BLEED***.....	2				
--	88516	SCREW,BLEEDER,M5X0.8 <i>USE WITH ROTATOR PART NO 94398</i>					
17	77874	ROTATOR ASSEMBLY,8.2K***..... <i>ROTATOR UPDATE KIT, REQUIRED FOR FIRST TIME REPLACEMENT OF PREVIOUS ROTATOR PART NO 30669</i>	1				
--	122944	SEAL KIT,8K ROTATOR*** <i>for rotator 94398</i>					
--	62417	SEAL KIT,PLAT ROTATE*** <i>for rotator 73917, 73499</i>					
--	77877	SHAFT ADAPTER, HELAC ROTATOR <i>(INCLUDED IN ROTATOR UPDATE KIT PART NO 77874)</i>					

605.1 Hydraulic Hoses and Fittings



LEGEND	
	NO FITTING
	NO HOSE ASSEMBLY

605.1 Hydraulic Hoses and Fittings

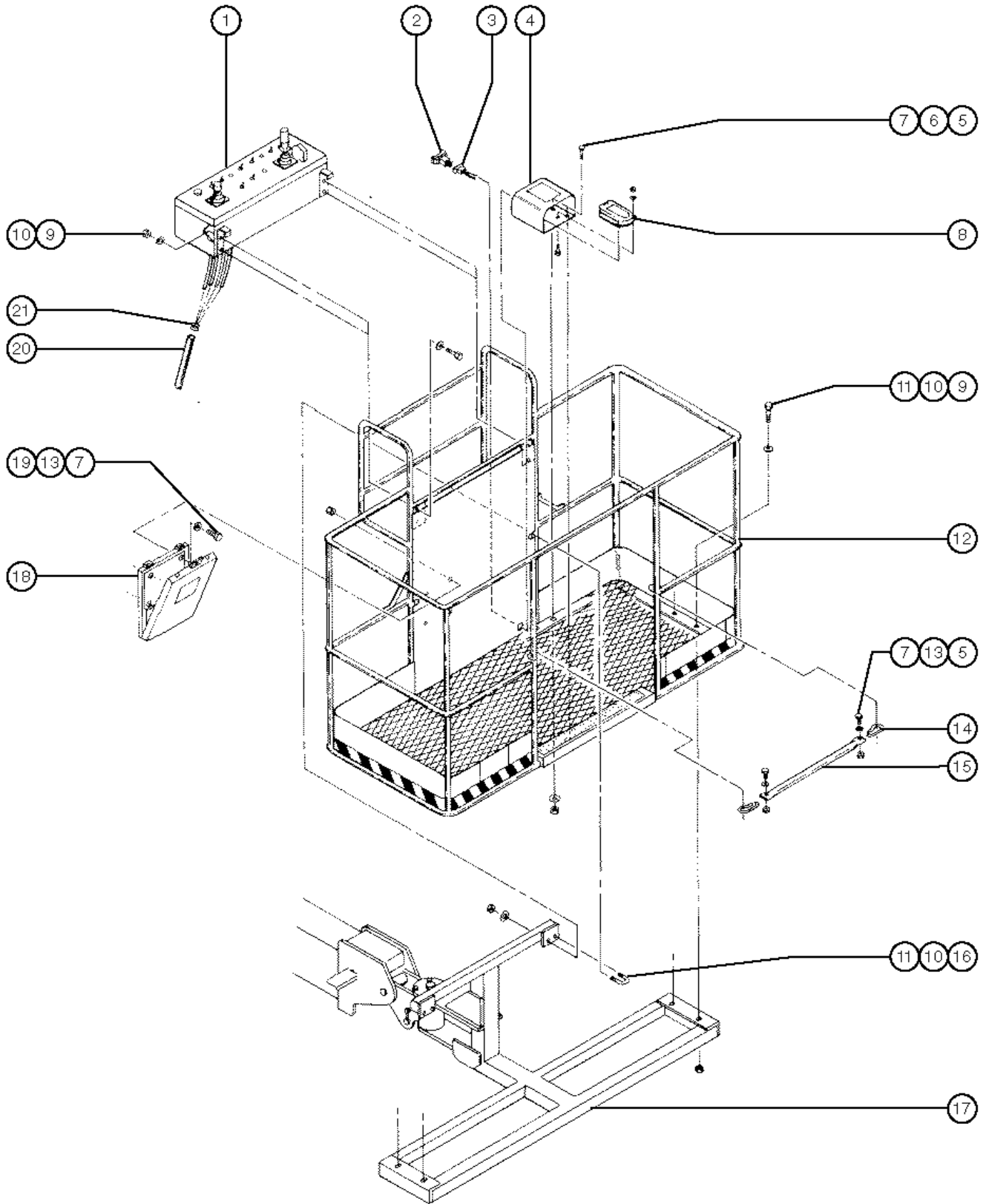
Item	Part No.	Description	Qty.
1	30887	HOSE ASSEMBLY,28".....1 1	1
2	13120	ELBOW,070220-6-6.....2	2
3	13756	CONNECTOR,070120-4-6.....2	2
4	13921	ELBOW,070220-4-4.....2	2
5	30888	HOSE ASSEMBLY,24".....1 1	1
6	30820	HOSE ASSEMBLY,526".....1 2	1
7	30819	HOSE ASSEMBLY,534".....1 2	1
8	45705	TEE,BRANCH,070429-6-6.....2	2
9	45412	CONNECTOR,070120-6-6.....10	10
10	30853	HOSE ASSEMBLY,100".....1 2	1
11	30852	HOSE ASSEMBLY,90.5".....1 2	1
12	30821	HOSE ASSEMBLY,567".....2 2	2
13	45878	ELBOW,070321-6-6.....2	2
14	30851	HOSE ASSEMBLY,137".....2 3	2
15	45367	ELBOW,070221-6-6.....2	2
16	30856	HOSE ASSEMBLY,108".....2 3	2
17	32156	CONNECTOR,070122-8-8.....2	2
18	45412	CONNECTOR,070120-6-6.....2	2
19	45703	CONNECTOR,070120-8-8.....2	2

Item	Part No.	Description	Qty.
------	----------	-------------	------

**Footnotes**

**1:** Hose End - Female JIC Swivel, 4-4 (Synflex 3903-04544), Hose End - Female JIC Swivel, 4-4 (Synflex 3903-04544) & Hose - 1/4" Thermoplastic Medium Pressure (Synflex 3130-04)  
**2:** Hose End - Female JIC Swivel, 6-4 (Synflex 3903-06544), Hose End - 90o Female JIC Swivel, 6-4 (Synflex 3903-06644) & Hose - 1/4" Thermoplastic Medium Pressure (Synflex 3130-04)  
**3:** Hose End - Female JIC Swivel, 6-6 (Synflex 3903-06546), Hose End - 90o Female JIC Swivel, 8-6 (Synflex 3903-06648) & Hose - 3/8" Thermoplastic Medium Pressure (Synflex 3130-06)

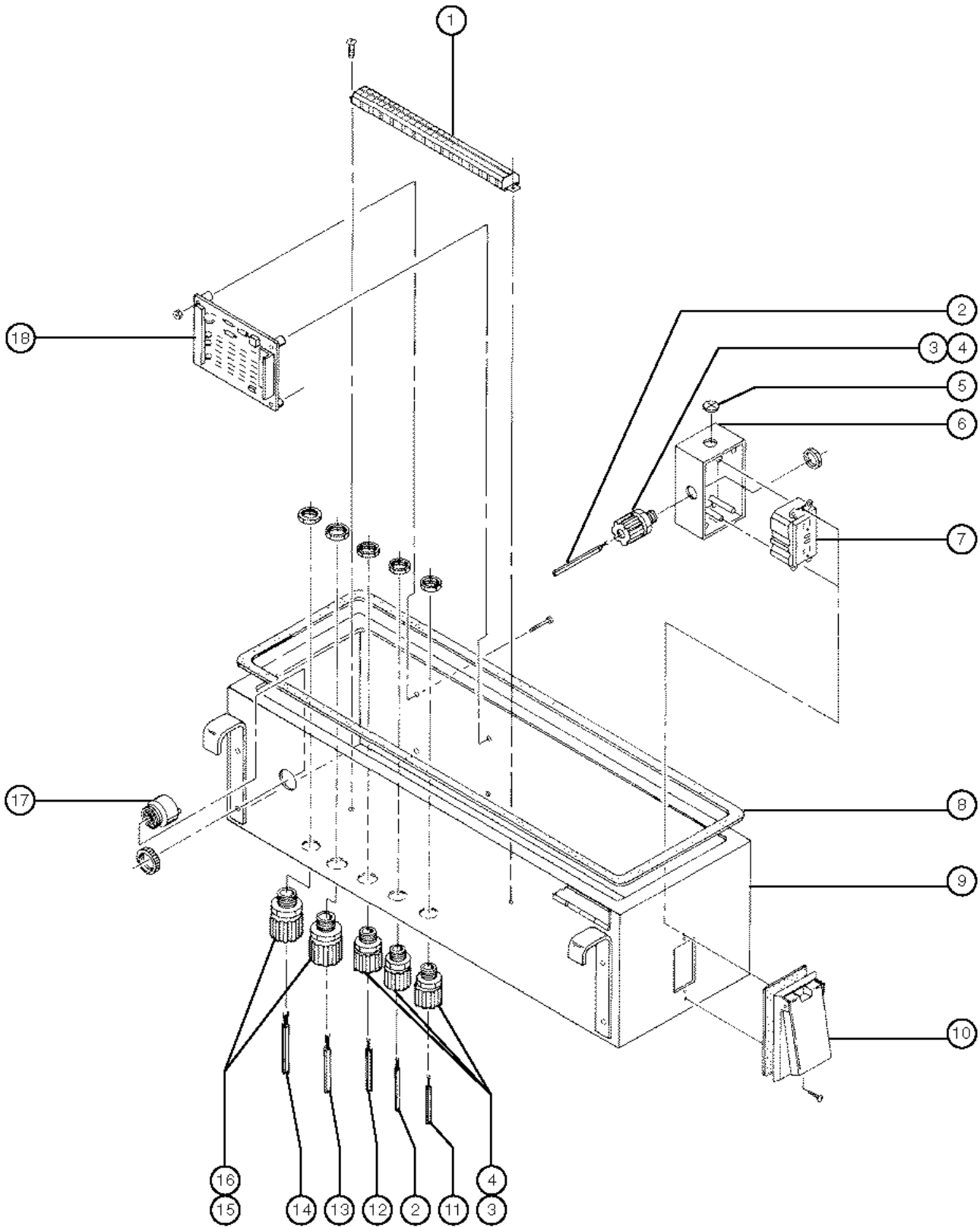
701.1 Platform



701.1 Platform

Item	Part No.	Description	Qty.	Item	Part No.	Description	Qty.
--	1259	TAPE,NON SKID,2" WIDE (BULK).....21 <i>ordered by the inch, 21 inches required</i>		10	6097	WASHER,FLAT,USS,3/8",Y.....12	
--	73956	6' HALF MESH PLAT/GATE KIT <i>includes tall swing gate and aluminum mesh panels to surround the platform</i>		11	4828	NUT,NYLOCK,3/8-16.....8	
1		Ref. Platform Controls (refer to figures 701.1 and 703.1)		12	32704	PLAT.ASSY,6FT-S40/S60-95' & S80.....1 <i>includes index numbers 5, 7, 13, 14, 15, 18 and 19</i>	
2	32708	HARNESS ASSY, FOOTSWITCH....1		--	32705	PLAT. ASSY,8 FT,SERV,S40/60/80.....1 <i>includes index numbers 5, 7, 13, 14, 15, 18 and 19</i>	
--	22431	TERMINAL,ANDERSON,30A 12-16 GA.....1		--	32706	PLAT. ASSY,EURO,6 FT, S40.....1 <i>includes index numbers 5, 7, 13, 14, 15, 18 and 19</i>	
--	22432	ANDERSON HOUSING,15-45 AMP BLK.....1		--	32707	PLAT. ASSY,EURO,8 FT, S40.....1 <i>includes index numbers 5, 7, 13, 14, 15, 18 and 19</i>	
--	22433	ANDERSON HOUSING,15-45,AMP,WHT.....1		--	54817P-S	TOEBOARD,PLTFM ENTRY EUR,PNTD*.....1	
--	22435	ANDERSON HOUSING,15-45 AMP GRN.....1		13	6638	WASHER,FLAT,USS,1/4"Y.....6	
--	45202	PIN,ROLL,.094 X .875.....1		14	12443	MIDRAIL GUIDE ( HOOK ).....2	
--	45313	PLUG,W/LATCH,4 POLE,ANDERSON.....1		15	102992	SLIDING MIDRAIL KIT,PTD.....1 <i>includes index numbers 5, 7, 13 and 14</i>	
3	32709	CONNECTOR ASSY,FOOTSWITCH S40.....1		--	139451	TUBE,SLIDING MIDRAIL,PAINTED.....1	
--	22431	TERMINAL,ANDERSON,30A 12-16 GA.....1		--	20973	WIRE LOOM,3/8 POLY SLIT.....1	
--	22432	ANDERSON HOUSING,15-45 AMP BLK.....1		--	21121	CABLE TIE,4" BLK,HEAT RESISTNT.....1	
--	22433	ANDERSON HOUSING,15-45,AMP,WHT.....1		16	6550	U-BOLT,3/8 X 1 YZ.....2	
--	22435	ANDERSON HOUSING,15-45 AMP GRN.....1		17		Ref. Platform Mount and Leveling (refer to figure 604.1).....1	
--	45139	RECEPT,SNAP-IN,4 POLE ANDERSN.....1		18	24514	BOX,INSTRUCTION STORAGE....1	
--	45202	PIN,ROLL,.094 X .875.....1		19	6090	SCREW,HHC,1/4-20 X .75.....4	
4	32710	GUARD,FOOTSWITCH,W/DECAL STEEL.....1		20	28678	SLEEVE,NYLON,2" I.D.,BULK(100')	
5	6888	SCREW,HHC,1/4-20 X 1.....4		21	28443	CABLE TIE,11.5" BLACK.....3	
6	12906	WASHER,FENDER,.25 X 1.25 X.062.....2					
7	6091	NUT,NYLOCK,1/4-20.....8					
8	13482	FOOT SWITCH*** .....1 <i>includes mounting fasteners</i>					
--	20262	MICROSWITCH,13482 FOOTSWITCH.....1					
9	6019	SCREW,HHC,3/8-16 X 1.25 GRD 5.....8					

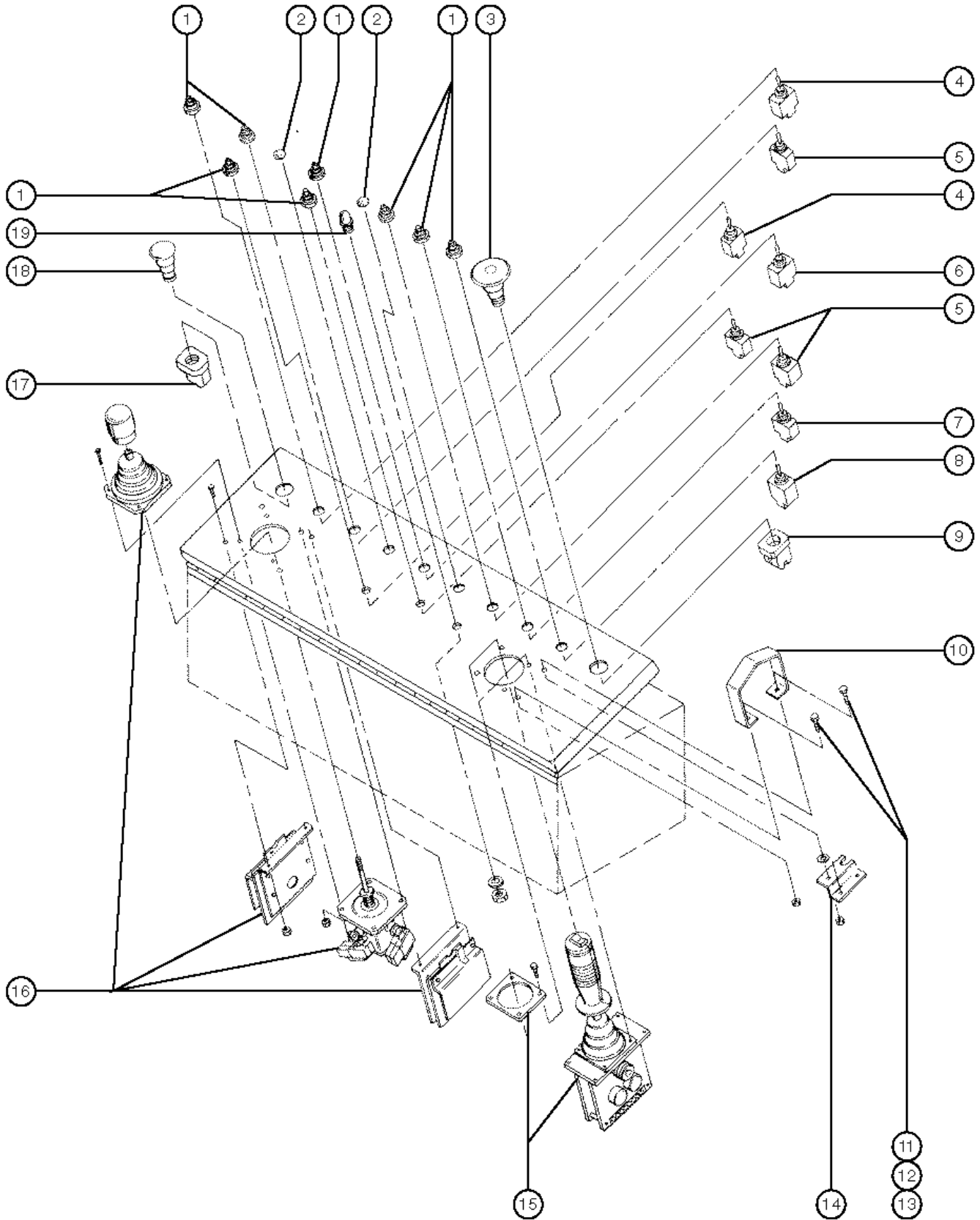
702.1 Platform Controls - View 1





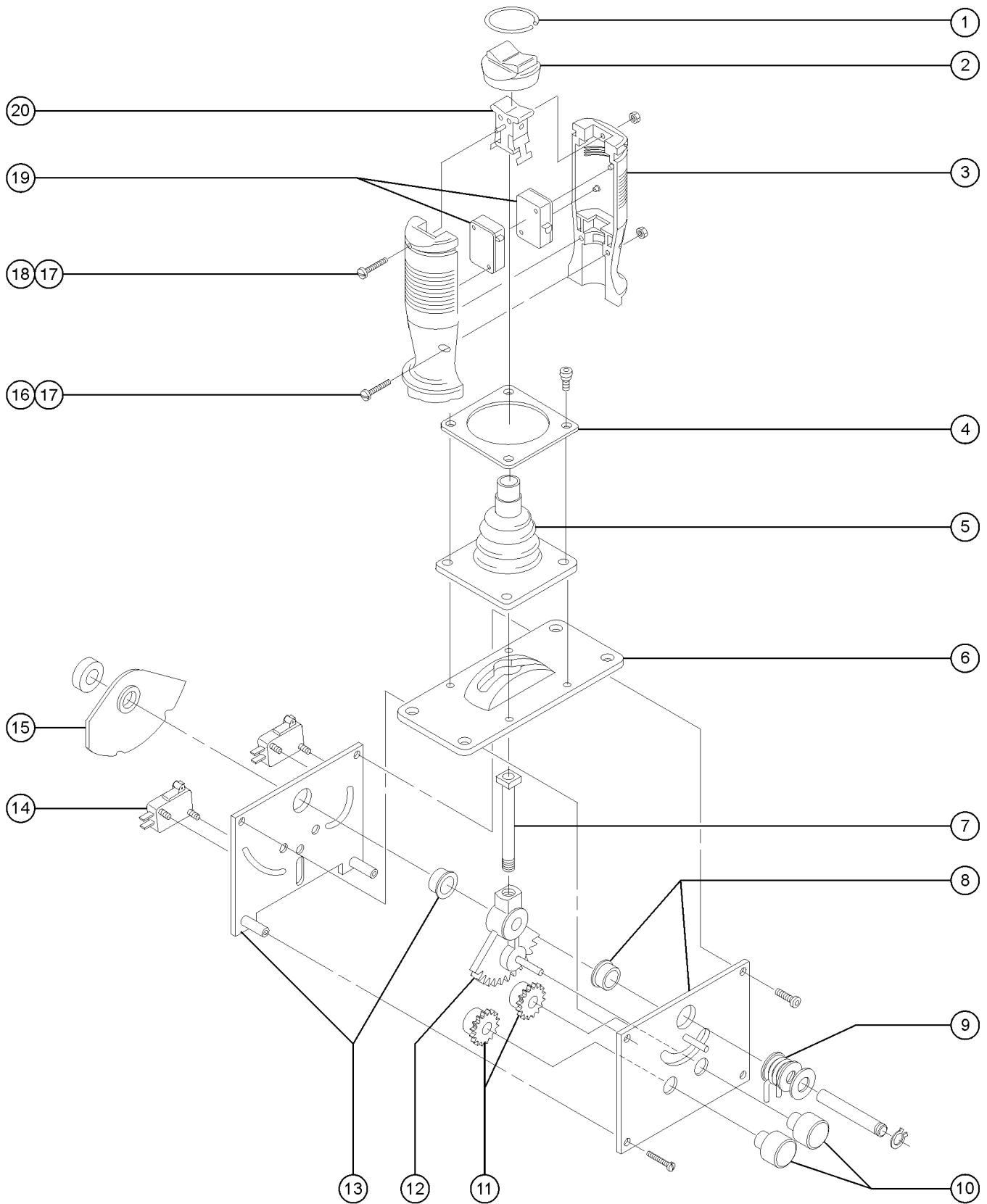
Item	Part No.	Description	Qty.
1	25836	TERMINAL BLOCK(SINGLE),WAGO*** .....48 <i>single terminal block</i>	
1	32637	TERMINAL BLOCK,WAGO <i>single terminal block</i>	
--	32638	TERMINAL BLOCK,WAGO <i>this is a set of two terminal blocks</i>	
--	32639	END PLATE,WAGO	
2	43956	WIRE CABLE,14/3 CON.TPE JKT*.....720-inches	
3	7056	CONN,SQUEEZE,1/2NPT .38-.50,SM.....4	
4	6935	LOCKNUT,ELEC,1/2".....4	
5	8843	COVER,KNOCK OUT HOLE,4 PER BAG.....3	
6	10775	T-BOX,2.75 X 4.5 X 2.0.....1 <i>includes index number 5</i>	
7	13585	OUTLET,110V GFCI*** .....1	
7	19975	RECEPTACLE - BRITISH, 110V....1	
8	27115	GASKET,UPPER CONTROL BOX.....1	
9	32660	CONTROL BOX W/DECAL,PLAT.....1 <i>includes index number 8</i>	
10	45437	COVER,GFCI,WEATHERPROOF....1 <i>includes mounting fasteners</i>	
11	32708	HARNES ASSY, FOOTSWITCH....1	
12	30794	WIRE,12/3 SJEOW,BULK,BLK-WHT-G.720-inches	
13	35934	WIRE CABLE,18/19 CON.TPRJKT.....720-inches	
14	35934	WIRE CABLE,18/19 CON.TPRJKT.....720-inches	
15	12960	CABLE SQUEEZE CONN.,XTRA LRG.....2	
16	14041	LOCKNUT,ELECTRIC,3/4".....2	
17	45383	ALARM,WARBLE TONE 5-30 VDC*** .....1 <i>Does not include 72326 nut</i>	
--	72326	NUT - PLASTIC,RING FOR ALARMS.....1	
18	22052	LIMITER PC BOARD, HORSEPOWER.....1 <i>includes mounting fasteners</i>	
--	39591	SPACER,NYLON,.375 <i>sold separately</i>	

703.1 Platform Controls - View 2



Item	Part No.	Description	Qty.
--	45782	DIODE,6 AMP,200 PIV,BULK	
1	27246	BOOT,TOGGLE SWITCH,SHORT* .....7	
2	229567	PLUG, SANTOPRENE .5 BLACK DOME.....2	
3	66812	BUTTON,PUSH,RED MUSHROOM HEAD.....1	
--	146478	BOOT(BELLOWS),E-STOP,BLACK	
4	128202	SWITCH TOGGLE ASSY DPDT 3P MOM.....2 <i>includes mounting fasteners</i>	
5	128200	SWITCH TOGGLE ASSY SPDT 3P MOM.....3 <i>includes mounting fasteners</i>	
6	128201	SWITCH TOGGLE ASSY DPDT 2P MOM.....1 <i>includes mounting fasteners</i>	
7	128206	SWITCH TOGGLE ASSY DPDT 3P MNT.....1 <i>includes mounting fasteners</i>	
8	128205	SWITCH TOGGLE ASSY DPDT 2P MNT.....1 <i>includes mounting fasteners</i>	
9	122514	KIT,ESTOP SVC BB&SM BOOM.....1 <i>includes item 3</i>	
--	66818	CONTACT,NC.....1	
--	66821	BASE,WITHOUT CONTACTS	
10	27033P	SUPPORT,WRIST,PAINTED-BLUE..1	
11	6091	NUT,NYLOCK,1/4-20.....2	
12	6638	WASHER,FLAT,USS,1/4"Y.....2	
13	8914	SCREW,HHC,1/4-20 X .625.....2	
14	54525	BRACKET-PANEL-WIRE MOUNTING 99.....1	
15		Ref., JOYSTICK CONTROLLER,12V.....1 <i>refer to 704.1</i>	
16		Ref., JOYSTICK,MULT AXIS CONT,OEM*** .....1 <i>refer to 705.1</i>	
17	122513	KIT,HORN SVC BB&SM BOOM.....1 <i>includes item 18</i>	
--	66815	BASE, W/1 N.O. CONTACTS*** .....1	
18	66813	BUTTON,PUSH,BLACK W/SEAL*** .....1	
19	824879	LIGHT,LED IND. RED 12V NH.....1	

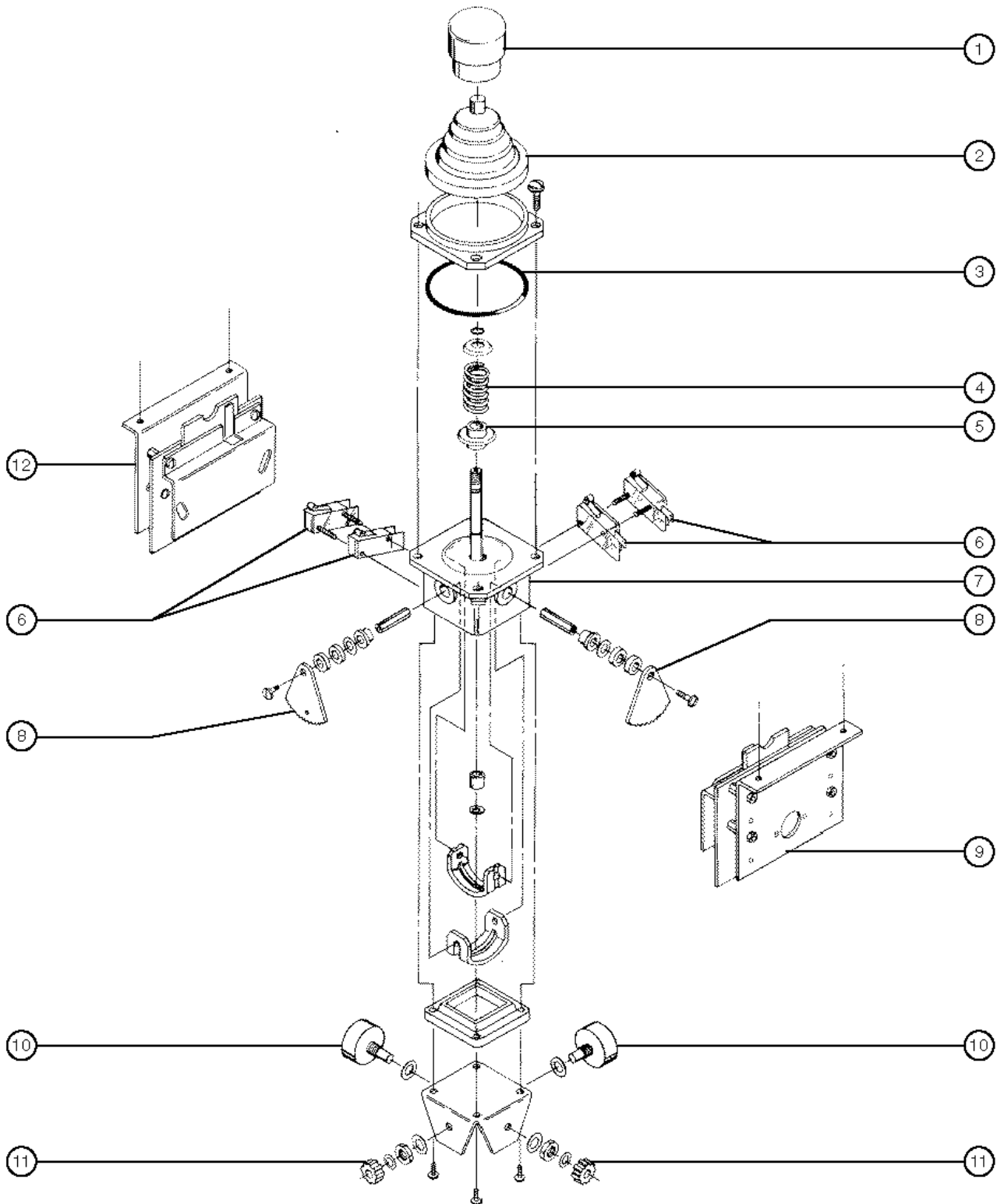
704.1 Joystick Controller - Drive / Steer Functions



## 704.1 Joystick Controller - Drive / Steer Functions

Item	Part No.	Description	Qty.
--	20424H	JOYSTICK CONTROLLER,12V <i>aftermarket joystick replacement</i>	
--	20424	JOYSTICK CONTROLLER,12V <i>OEM joystick, contains all shown service parts</i>	
1	25882	LOCK RING.....	1
2	25881	BOOT,THUMB 20424 JOYSTICK.....	1
3	25883	HANDLE HALF,JOYSTICK (20424).....	2
--	49887	NUT & BOLT KIT (25883).....	1
--	72245	KIT, JOYSTICK HANDLE <i>includes handles, rocker and nut/bolt kit</i>	
4	44221	COLLAR, BOOT RETAINING.....	1
5	22368	BOOT (20424).....	1
6	25884	COVER CASTING,20424 CONTROLLER.....	1
7	44211	SHAFT,W/NF STYL BLOCK,(20424)*.....	1
8	52778	BEARING,FLANGED,.376ID (20424).....	2
8	65535	POT PLATE ASSEMBLY (20424)..... <i>includes bearing and terminal strip</i>	1
9	58209	SPRING,RETURN***.....	1
10	22364	POTENTIOMETER (20424).....	2
11	22367	SPUR GEAR (20424).....	2
12	44212	GEAR CASTING,20424 CONTROLLER*.....	1
13	65536	SWITCH PLATE ASSEMBLY(20424)..... <i>includes bearing and stand-offs</i>	2
--	52778	BEARING,FLANGED,.376ID (20424)	
14	22365	SWITCH (20424).....	2
15	22366	CAM ASSY (20424).....	1
16	52776	SCREW,HEX,M4X0.7X10MM (20424)*.....	2
17	52777	NUT,HEX,M4 X 0.7 MM (20424)***.....	3
18	52775	SCREW,HEX,M4X0.7X30MM (20424)*.....	1
19	23680	SWITCH,HANDLE,20424.....	2
20	23688	ROCKER ASSY,HANDLE (20424)***.....	1

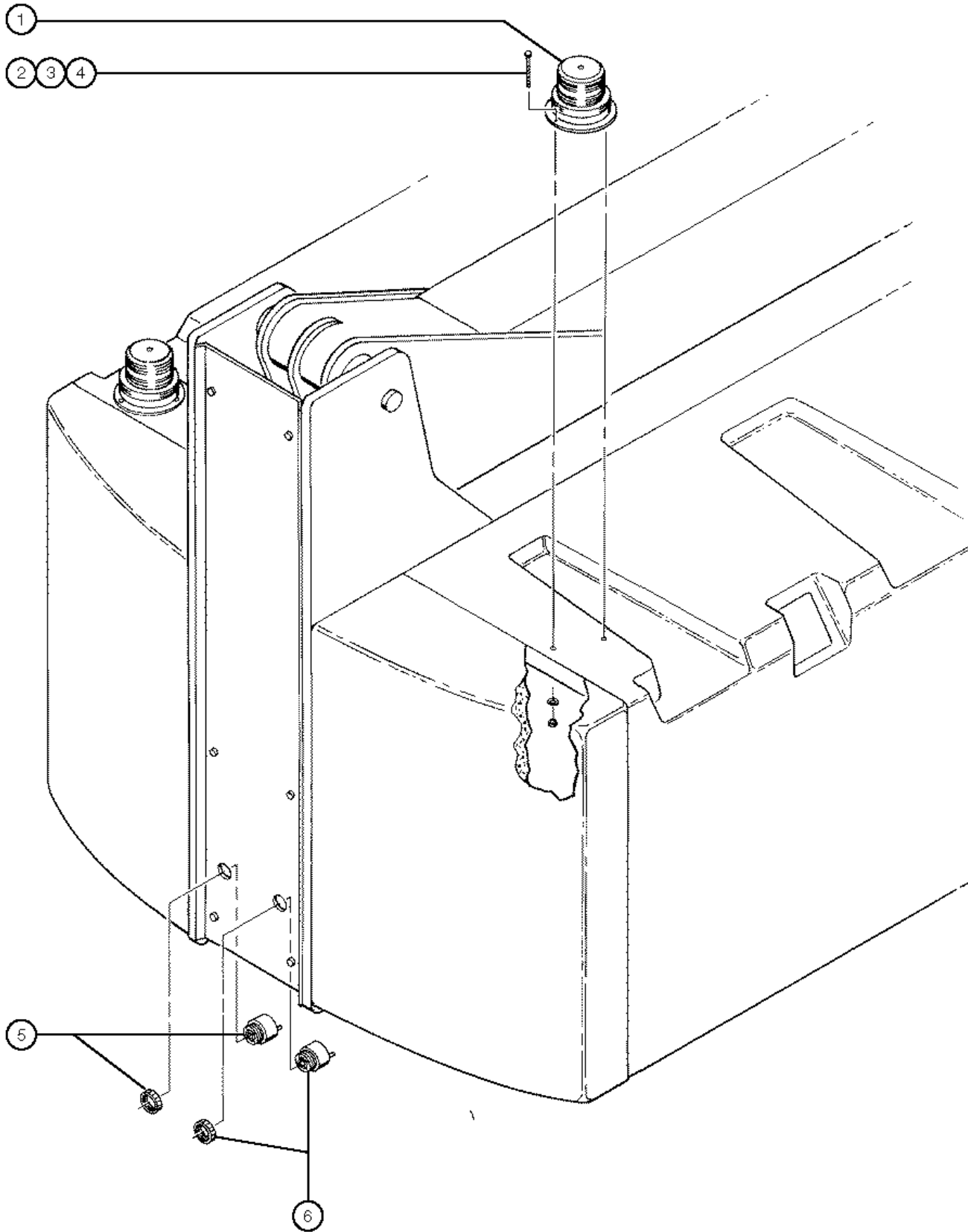
705.1 Joystick Controller - Boom Functions



705.1 Joystick Controller - Boom Functions

Item	Part No.	Description	Qty.
--	53073H	JOYSTICK,MULT AXIS CONT <i>aftermarket joystick replacement</i>	
--	53073	JOYSTICK,MULT AXIS CONT,OEM*** <i>OEM joystick, contains all shown service parts</i>	
--	72278	JOYSTICK,MULT AXIS,W/O PCB <i>joystick only without pc boards</i>	
1	27133	HANDLE,CAP,CONTROLLER.....	1
2	27134	BOOT,CONTROLLER.....	1
3	31526	O-RING,BOOT,CONTROLLER.....	1
4	27511	SPRING,24493 CONTROLLER.....	1
5	31283	BUSHING,SPRING SEAT.....	1
6	19712	MICROSWITCH,V3L-139-D8.....	4
7	31284	SHAFT ASSY W/HOUSING.....	1
8	27512	JOYSTICK, DRIVE GEAR, (24493).....	2
8A	58477	SHAFT (53073)*** .....	2
9	52586	PCB,11179AB, (SWING)*** .....	1
10	52591	POTENTIOMETER-JOYSTCK(53073).	2
11	27514	GEAR, SLAVE, 24493.....	2
12	52585	PCB,11179CD,(LIFT)*** .....	1

801.1 Alarm and Beacon Package

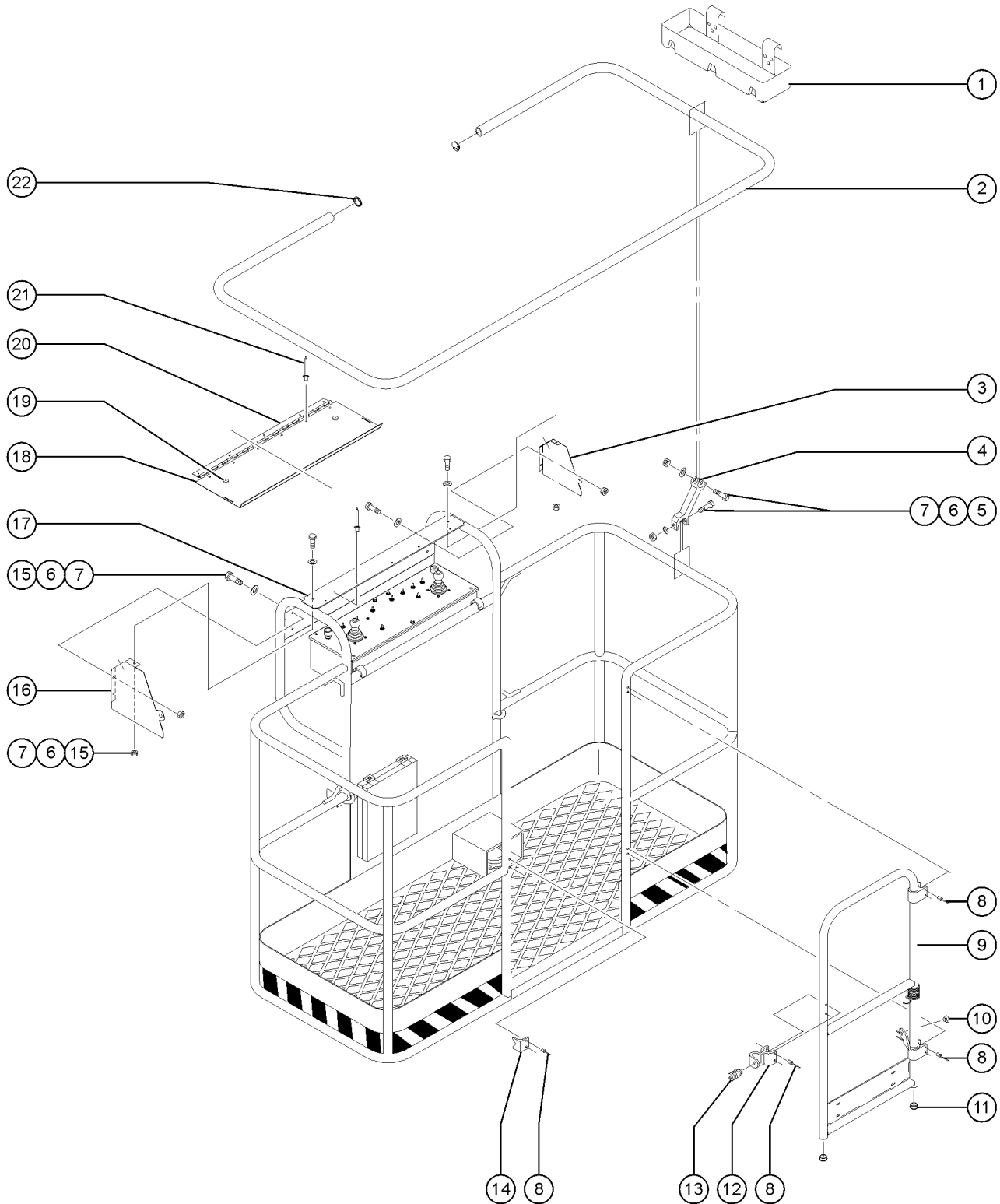




801.1 Alarm and Beacon Package

Item	Part No.	Description	Qty.
1	56704	STROBE,FIREBOLT,12-80VDC,AMB**	2
--	122019	FLASHTUBE,U SHAPED,360DEG,BULB	
--	226393	FLASHTUBE,STRAIGHT,360DEG,BULB	
--	72282	LENS,AMBER,STROBE,FIREBOLT	
2	6066	SCREW,RHM,10-32 X .38.....	6
3	6146	WASHER,FLAT,MS,#10,Y.....	6
4	6178	NUT,NYLOCK,10-32.....	6
5	45462	ALARM,CHIME TONE 5-25VDC***.....	1
		<i>Does not include 72326 nut</i>	
--	72326	NUT - PLASTIC,RING FOR ALARMS.....	1
6	18963	ALARM.INTERMITTENT TONE.24V.....	1
		<i>Does not include 72326 nut</i>	
--	72326	NUT - PLASTIC,RING FOR ALARMS.....	1

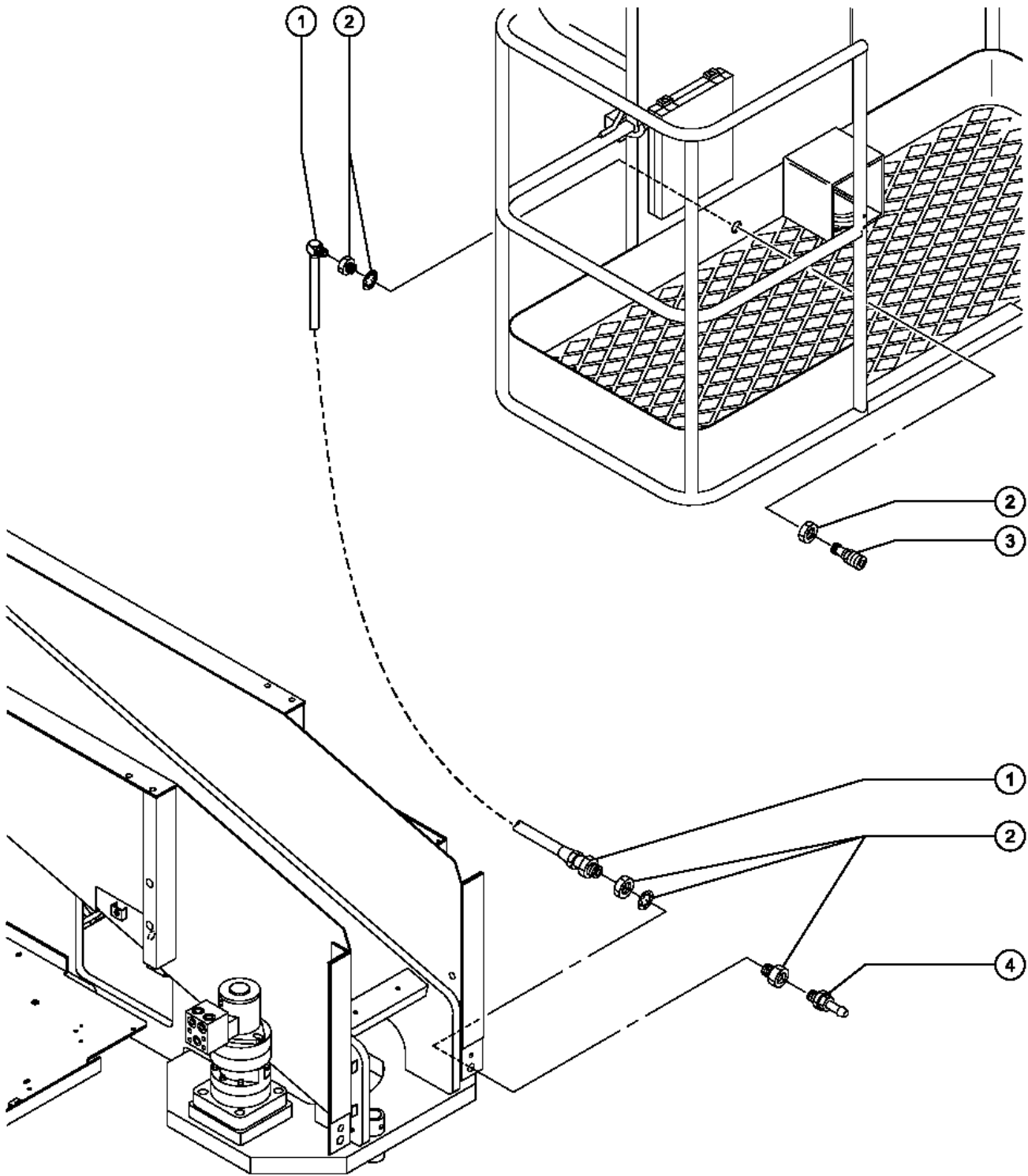
802.1 Platform Options



802.1 Platform Options

Item	Part No.	Description	Qty.	Item	Part No.	Description	Qty.
1	9599-S	TOOL TRAY ACCESSORY***.....	1	20	111526	HINGE,PLAT CONTROL BOX COVER	
2A	1259704	PINCH GUARD RAIL,6' PLATFORM.....	1	21	54486	RIVET,ALUM,ALUM,3/16BUTTONHEAD	
		<i>includes 55753 bumpers</i>		22	55753	BUMPER, PLASTIC, 1.25 O.D.....	2
2B	52661	PINCH GUARD RAIL,8' PLATFORM**.....	1				
3	119797	CONTROL BOX COVER, RIGHT SIDE*					
4	28807	SUPPORT,RAILING.....	10				
5	4266	SCREW,HHC,1/4-20 X 2					
6	6638	WASHER,FLAT,USS,1/4"Y					
7	6889	NUT,LP NYLOCK,1/4-20					
8	7265	RIVET,STEEL,P, .25 X .375.....	14				
9	128368	KIT,SWING GATE W/SPRING.....	1				
9A	119950	KIT,FIELD INSTALL,SWING GATE <i>includes 128368, 1487, 1488, and 33674</i>					
--	1487	GATE LATCH CASTING--DRILLED					
--	1488	RAILING CATCH CASTING--DRILLED					
--	33674	PIN,LOCK,SHORT***					
--	9596	HINGE CASTING					
10	43392	BUMPER,BATTERY BOX & RAILS.....	1				
11	31120	PLUG,NYLON 1.187 BLACK DOMED.....	2				
12	1487	GATE LATCH CASTING--DRILLED.....	1				
13	63311	SNAP PIN.....	1				
14	1488	RAILING CATCH CASTING--DRILLED.....	1				
15	6090	SCREW,HHC,1/4-20 X .75					
16	119796	CONTROL BOX COVER,LEFT SIDE**					
17	119562P	GUARD,PLATFORM CNTRL PANEL PTD					
--	119642	KIT,PLAT CONTROL PANEL GUARD** <i>includes part 119562P, required for first time installation</i>					
18	89915P	COVER,CONTROL BOX LID					
--	119795	KIT,CONTROL BOX COVER <i>includes part 89915P, index number 17 is required for first time installation</i>					
19	43392	BUMPER,BATTERY BOX & RAILS					

803.1 Air Line to Platform



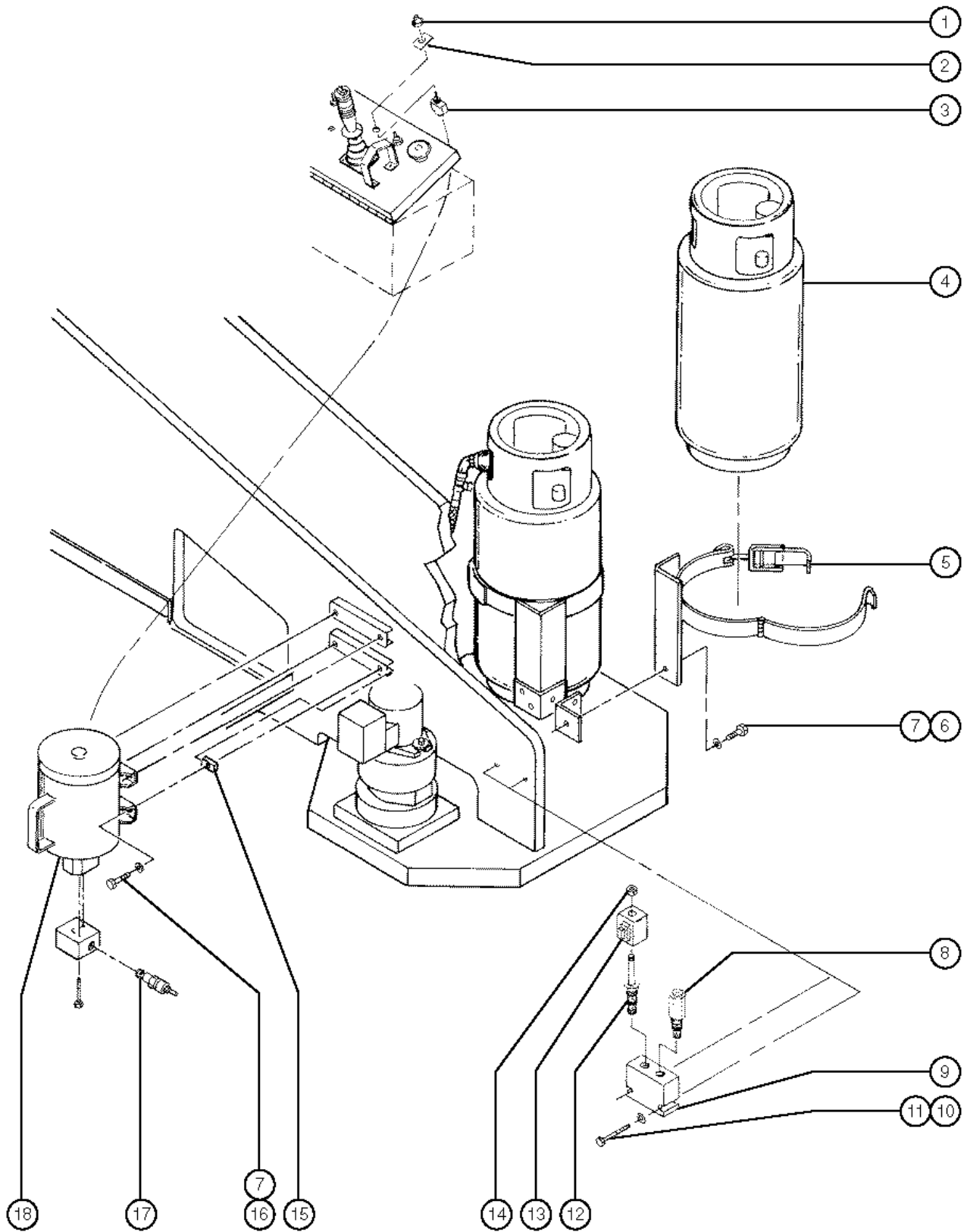
803.1 Air Line to Platform

Item	Part No.	Description	Qty.
--	30620-S	S40 AIRLINE TO PLATFORM	
1	49177-71294	HOSE ASSEMBLY,1/2".....1 <b>1</b>	
2	49212	FEMALE BULKHEAD CONNECTOR-8.....2	
3	49215	MPT,CPLR,1/4"SER,3/8"X18.....1	
4	49214	MALE PIPE THD,1/4" SER,3/8"X18.....1	

**Footnotes**

**1:** Hose End - Female, JIC 37°, Swivel (Parker No. 30682-8), Hose End - Female, JIC 37°, Swivel (Parker No. 30682-8) and Hose, 1/2 inch, Low Pressure (Parker No. 801-8)

804.1 Generator and Spare LPG Tank

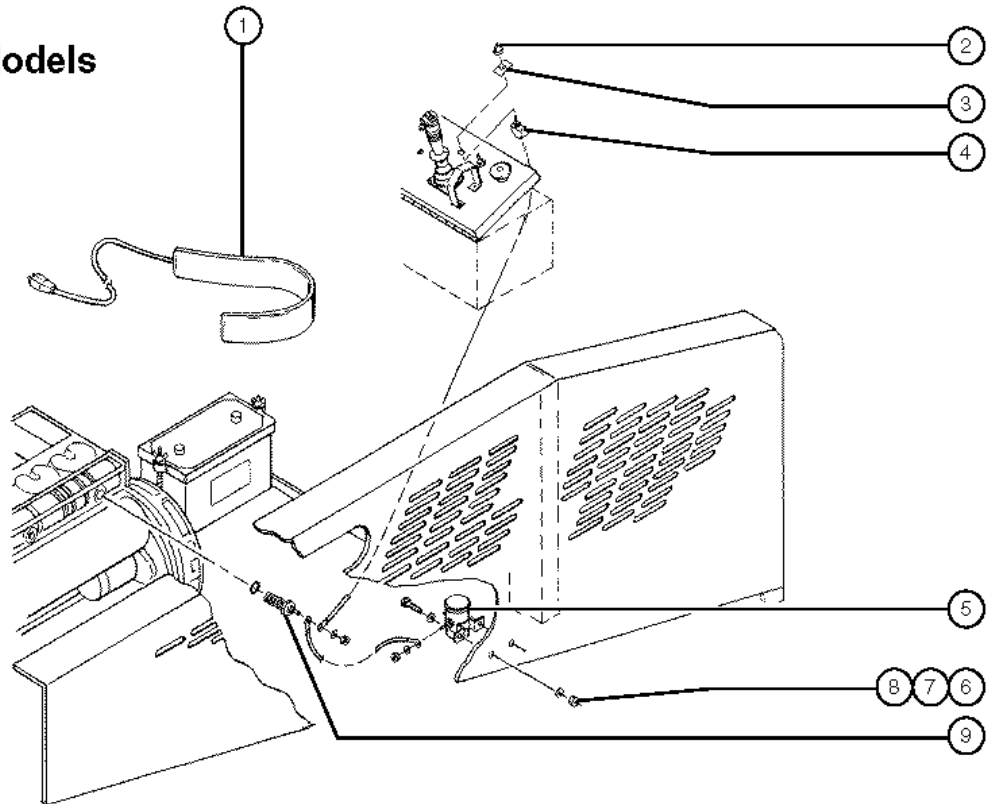


## 804.1 Generator and Spare LPG Tank

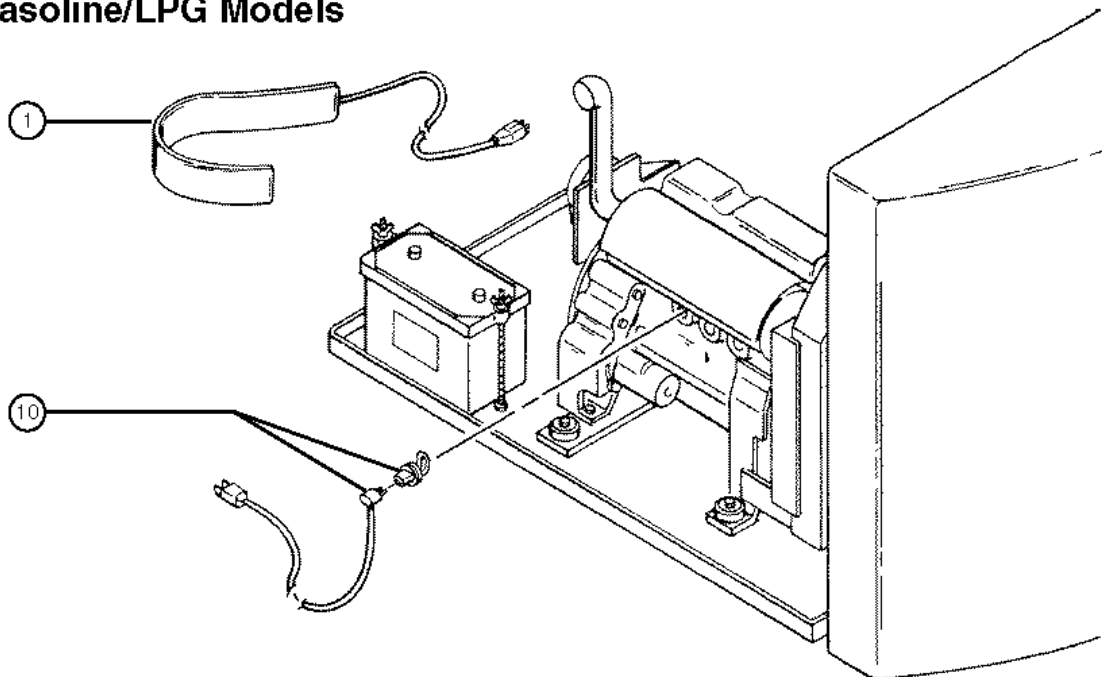
Item	Part No.	Description	Qty.
1	27246	BOOT,TOGGLE SWITCH,SHORT*.....1	1
2	133518	DECAL, PATCH, GEN,ALC-500.....1	1
3	128205	SWITCH TOGGLE ASSY DPDT 2P MNT.....1 <i>includes mounting fasteners</i>	1
4	53605	TANK, LP, 7 GAL.....1	1
5	30712	LP.TANK BRKT WLDMT.,SHORT....1	1
6	8255	SCREW,HHC,3/8-16 X .75.....3	3
7	6021	WASHER,LOCK,.375.....7	7
8	31753	VALVE,PRESSURE REDUCING.....1	1
9	28675	MANIFOLD,ASSY,GENERATOR.....1 <i>includes index numbers 8, 12-14</i>	1
10	4266	SCREW,HHC,1/4-20 X 2.....2	2
11	6638	WASHER,FLAT,USS,1/4"Y.....4	4
12	19970	VALVE,SOLENOID (18660).....1 <i>includes index numbers 13 and 14</i>	1
13	22813	COIL,12V.19970,19971.....1	1
14	45912	NUT,SOLENOID,2POS 3WAY.....1	1
15	29868	SPRING CLIP,3/8-16.....4	4
16	6175	SCREW,HHC,3/8-16 X 1.....4	4
17	32735	VALVE,PRI. FLOW REG 4.3.....1	1
18	58301	GENERATOR,2000W,HYDRAULIC***.1 <i>includes index number 7</i>	1
--	32732	RECTIFIER ASSEMBLY.....1	1
--	32734	BRUSH ASSEMBLY.....1	1
--	32736	MOTOR,HYDRAULIC GENERATOR.....1	1
--	58402	BRIDGE,50A FULL WAVE**.....1	1

805.1 Cold Start Package - Ford & Deutz Engines

Deutz Diesel Models



Gasoline/LPG Models





805.1 Cold Start Package - Ford & Deutz Engines

Item	Part No.	Description	Qty.
1	28853	BLANKET,BATTERY..... <i>Gasoline/LPG and Deutz Diesel Models</i>	2
2	27246	BOOT,TOGGLE SWITCH,SHORT*..... <i>Deutz Diesel models</i>	1
3	32726	DECAL,OPTION GLOW PLUGS***..... <i>Deutz Diesel models</i>	1
4	128200	SWITCH TOGGLE ASSY SPDT 3P MOM..... <i>includes mounting fasteners; Deutz Diesel models</i>	1
5	27155	SOLENOID,12V CONTINUOUS***..... <i>Deutz Diesel models</i>	1
6	6091	NUT,NYLOCK,1/4-20.....	2
7	6638	WASHER,FLAT,USS,1/4"Y.....	4
8	6888	SCREW,HHC,1/4-20 X 1.....	2
9	31408	GLOW PLUG,L1011.....	1
10	35610	HEATER,FREEZE PLUG,FORD LRG423..... <i>Gasoline/LPG models</i>	1

## Part Number Index

The Part Number Index is a numeric index of all part numbers included in this manual. The index shows what page(s) the part is used on.

Part Number	Page	Part Number	Page	Part Number	Page	Part Number	Page
102143	95	146160	73	22365	109	27377	85
102192-S	15, 35	146165	75	22366	109	27431	49, 53
102680	77-78	146167	73, 75	22367	109	27511	111
102992	103	146478	83, 107	22368	109	27512	111
10355	87-88	147094	83	22431	103	27514	111
10597	23-24, 43-44, 59-60, 67, 95, 99	14815	15, 17, 35, 37	22432	103	27531	27, 47
10598	63	1484	11, 13	22433	103	27532	27, 47
106433	93	1487	115	22435	103	27564	11, 13
10775	105	1488	115	22540	88	27639P	63
111389	39	1505	81	22578	69	27640	63
111526	115	16439	85	22585	57	27643	77-78
111648	77-78	16486	93, 95	226393	113	27648	73
111705	75	16584	67	22665	29, 33, 49, 53, 87-88	27761	21, 41
11637	77-78	18218	71	22700	63	27801	75
119562P	115	18396	23-24, 43-44	22811	23-24, 39, 43- 44, 77-78	27802	75
119619	15, 17, 35, 37	18504	85	22813	119	27803	75
119642	115	18505	39	22832	97	27804	75
119795	115	18506	69	229567	83, 107	27807	75
119796	115	18665	81	23057	69	27812	75
119797	115	18687	87-88	23154-S	15, 17, 35, 37	27813	73, 75
119950	115	18963	113	233763	73	27814	75
121599	81, 83	19141	57, 67	23680	109	27908	59-60
122019	113	19363	71	23688	109	27914	73
122348	23-24, 39, 43-44	19418	77-78	23802	29, 33, 49, 53	27915	57, 69
122366	83	19440	15, 17, 35, 37	24038	63	27916	57, 69
122512	83	19487	71	24039	77-78	27917	59-60
122513	107	19491	77-78, 93, 95	24058	87-88	27919	59-60
122514	83, 107	19506	83	24514	103	27922	59-60
122944	99	19687	29, 33, 49, 53, 87-88	24551	60	27942	63
12343	27, 47	19712	111	24675	73	27943	63
12443	103	19970	119	25072P	97	28020	57
1253843	95, 99	19975	105	25284	15, 17, 35, 37	28076	63, 65
1254826	69	20022	87-88	25375	27, 47, 75	28125	85
1259	103	20193	23-24, 43-44	25567	71	28157	11
1259054	57	20224	21, 27, 41, 75	25571P-S	59-60	28158	11
1259056	57, 59-60	20262	103	25683	15, 35, 99	28159	11
1259704	115	20293	71	25807	81	28160	11
1268	11, 13	20324	29, 33, 49, 53	25808	81	28161	11, 13
128200	83, 107, 121	20326	87-88	25817	15, 17, 35, 37	28164	11
128201	83, 107	20328	29, 49	25836	81, 105	28165	13
128202	83, 107	20334	29, 49, 53	25881	109	28171	11
128205	83, 107, 119	20424	109	25882	109	28174	11, 13
128206	107	20424H	109	25883	109	28175	11
128368	115	20630	77-78	25884	109	28176	13
12906	85, 103	20709	87-88	25951	87-88	28177	11
12960	81, 105	20710	87-88	25964	39	28181	11
13002	73	20776	81	25974	59-60, 71	28234P-S	63
13003	93	20880	59-60, 69	25994	11	28235	11, 13
13014	63	20923	29, 49	27010	59-60	28236	13
13064	23-24, 39, 43- 44, 63, 67, 77- 78, 93	20925	29, 33, 49, 53	27022P	63	28310	81
13066	23-24, 39, 43- 44, 59-60, 67, 77-78	20973	103	27033P	107	28352	15, 17, 35, 37
13119	87-88	21018	63	27034	63	28443	103
13120	29, 33, 49, 53, 87-88, 101	21121	103	27035	99	28445	87-88
13268	83	21130	27, 47, 59-60, 69	27042	59-60	28452	29
133518	119	21141	71	27087	57	28471	85
13471	83	21142	23-24, 39, 43-44	27089	71	28597	29, 33, 49, 53
13482	103	21143	23-24, 39, 43-44	27114	85	28646	85
13585	105	21144	23-24, 39, 43-44	27115	105	28647	57, 59-60
13755	88	21146	23-24, 39, 43-44	27133	111	28648	57, 59-60
13756	87-88, 101	21149	23-24, 39, 43-44	27142	59-60	28649	57
13757	88	21166	19	27155	81, 121	28650	57
13775	99	21175	65, 77-78	27191	87-88	28651	57
13852	99	21252	29, 33, 49, 53, 87-88	27192	88	28652	57
13918	95	21465	71	27202	87-88	28654	57
13921	29, 33, 49, 53, 88, 101	21496	27, 47, 59-60, 69	27204	13	28655	57
139451	103	2161	27, 47	27205	13	28656	57
139898	71	21935	75	27206	13	28658	57
14041	81, 105	21982	83	27207	13	28659	57
		22052	105	27210	57	28660	57
		22278	59-60	27246	83, 107, 119, 121	28662	57
		22364	109	27287	83	28664	59-60
						28666	57
						28675	119
						28678	103
						28714	57

Part Number Index (continued)

Part Number	Page	Part Number	Page	Part Number	Page	Part Number	Page
28716	57	30472	95	30820	101	31120	115
28717	59-60, 63	30486	85	30821	101	31249	59-60, 67
28718	59-60	30490	71	30823	99	31250	59-60
28750	21, 41	30546P-S	71	30825	49, 53	31261	75
28769	57, 63	30548	23-24, 39, 43-44	30826	49, 53	31262	75
28770	57, 63	30549	23-24, 39, 43-44	30827	49, 53	31283	111
28807	115	30558	27, 47	30828	49, 53	31284	111
28829	71	30581	95	30831	87-88	31406	41
28836	59-60, 67	30582	95	30834	29, 49	31408	121
28853	121	30584	71	30835	29, 49	31411	97
29066	59-60, 65	30591	88	30836	29, 49	31493	77-78
29073	69	30620-S	117	30837	29, 49	31498	99
29080	95	30652P	71	30838	29, 49	31500	77-78
29137	71	30660	67	30839	29, 49	31502	77-78
29291	23-24, 43-44, 77-78	30662	93	30841	29, 33, 49, 53	31506	71
29292	23-24, 43-44	30666	73	30842	29, 33, 49, 53	31507	71
29293	23-24, 43-44	30667	23-24, 39, 43-44	30843	29, 33, 49, 53	31519	77-78
29296	63	30668	73	30844	49, 53	31522	65
29297	63	30670-S	97	30845	29, 33, 49, 53	31523	65
29314	85	30671-S	97	30846	29, 33, 49, 53	31524	71
29417	73	30674	67	30847	29, 33, 49, 53	31526	111
29418	73	30677	73	30848	29, 33, 49, 53	31753	119
29428	73	30679-S	63, 65	30849	29, 33, 49, 53	31797	88
29429	73	30684	19	30850	29, 33, 49, 53	31798	88
29436	59-60, 67	30690	23-24, 43-44	30851	101	32150	11, 13
29439	57	30691	23-24, 43-44	30852	101	32151	11, 13
29480	97	30692	95	30853	101	32156	88, 101
29481	97	30703	73	30854	87-88	32284	35, 37
29550	65	30711	71	30855	87-88	32285	35, 37
29551	65	30712	119	30856	101	32637	105
29552	65	30718P	73	30857	87-88	32638	105
29555	65	30720P	63	30858	87-88	32639	105
29557	67	30721P	65	30859	87-88	32652	17, 37
29559	67	30727	99	30860	87-88	32653	23-24, 43-44
29560	69	30728	99	30861	87-88	32657	13
29561	69	30729	95	30862	87-88	32658	11
29562	69	30730	95	30863	87-88	32659	81, 83
29564	67	30731	95	30864	87-88	32660	105
29565	69	30732	93	30865	88	32661	75
29606	59-60	30733	93	30866	88	32662	75
29607	81	30734	15, 17, 35, 37, 93	30867	88	32663	75
29616	59-60	30735	15, 17, 23-24, 35, 37, 43-44	30868	87-88	32673	15, 17, 35, 37
29737	41	30736	15, 17, 35, 37	30869	87-88	32675	39
29739	59-60, 67	30737	15, 35	30870	87-88	32676	19, 39
29744	59-60, 65, 75	30738	95	30871	87-88	32680	24, 43-44
29764	99	30741	95	30872	87-88	32681	27, 47
29868	73, 85, 119	30743	85	30873	87-88	32682	23-24, 43-44
29883	63, 67	30744	85	30874	87-88	32683	95
29908	71	30747	15, 17, 37	30875	88	32684	97
30080	13	30747-S	35	30876	88	32685	97
30138	95	30748	95, 99	30877	87-88	32695	67
30143	63, 69	30749	97	30884	27, 47	32696	67
30144	63, 69	30750	97	30885	27, 47	32697	67
30179	71	30751P	85	30886	77-78, 85	32698	65
30190	15, 35	30757-S	97	30887	101	32699	67
30219	99	30759	85	30888	101	32702	11, 13
30220	95	30760	85	30889P	39	32703	11
30224P	59-60	30769P	69	30954	29, 33, 49, 53	32704	103
30230P	59-60, 69	30783P	77-78	30955	29, 33	32705	103
30277P	85	30784-975	63, 69	30956	29, 33	32706	103
30286	99	30785-1000	59-60, 69	30957	29, 33	32707	103
30342	87-88	30793	19	30959	87-88	32708	103, 105
30343	87-88	30794	81, 105	30961	85	32709	103
30347	87-88	30795P	69	30963	67	32710	103
30369	59-60, 65	30796P	69	30964	67	32712	95
30370	15, 35	30797	27, 47	30965P	85	32713	93
30378	99	30802P	24, 44	30968	75	32719	11
30406	11	30805	69	30970	49, 53	32721	11
30407	11	30806	67	30973	85	32722	99
30418	95	30808	23-24, 43-44	30998	11, 13	32723	27, 47
30430	85	30809	23-24, 43-44	31060	13	32724	27, 47
30438	67	30810	57	31078	15, 35, 93, 99	32725	27, 47
30444	73	30814	23-24, 39, 43-44	31082	77-78	32726	13, 121
30452	81	30815	23-24, 39, 43-44	31099	75	32728	13
30468	85	30819	101	31100	75	32729	13
				31106	15, 35, 93	32731	77-78

## Part Number Index (continued)

Part Number	Page	Part Number	Page	Part Number	Page	Part Number	Page
32732	119	44341P	77-78	52585	111		69, 73, 77-78,
32734	119	44367	77-78	52586	111		81, 83, 93, 97,
32735	119	44611	77-78	52591	111		103, 115
32736	119	45043	19	52661	115	6091	27, 47, 59-60,
32738-S	15	45066	23-24, 39, 43-44	52726	21, 41		65, 69, 73, 81,
32744	11	45072	93	52775	109		85, 95, 97, 103,
32746	13	45074	15, 17, 23-24,	52776	109		107, 121
32747	11		35, 37, 43-44	52777	109	6095	63, 73
32748	65	45107	19	52778	109	6097	63, 67, 71, 73,
32749	65	45108	19	52943	59-60, 65, 75		85, 93, 103
32750	69	45110	19	52968	13	6146	93, 113
32755	13	45111	19	53033P-S	85	6175	15, 17, 35, 37,
32756	85	45112	19	53073	111		59-60, 63, 65,
32757	85	45113	19	53073H	111		67, 73, 77-78,
32758	85	45114	19	53452	93		85, 93, 119
32762	11, 13	45139	103	53534	71	6178	95, 113
32765	75	45161P	71, 87-88	53605	71, 119	6198	63, 73, 77-78
32768	60	45166	87-88	5361	15, 17, 35, 37	62072	11
32811	73	45170	29, 33, 49, 53,	5365	27, 47	62081	77-78
33408	19		87-88	53758-S	83	62417	99
33413	19	45171	57, 63	53759-S	83	62466	77-78
33432	39	45202	103	53761-S	83	63202	95
33512	75	45209	63, 67, 93	53952	57, 69	63206	93
33520	21, 41	45226	15, 17, 23-24,	53961	59-60, 67	63311	115
33521	41		35, 37, 43-44,	53962	59-60, 67	63346	93
33550	11, 13		93, 95, 99	5397	39	6356	19, 23-24, 27,
33674	115	45313	103	54071	63		39, 43-44, 47,
33729	67	45349	49, 53, 88	54486	115		59-60, 63, 67,
33931	57, 69	45350	29, 33, 49, 53	54525	83, 107		69, 77-78, 81,
33958	57	45359	87-88	54627	19, 23-24, 39,		83, 97
33994	21, 41	45367	101		43-44	6550	103
34037	88	45383	105	54817P-S	103	65515	17
34038	87-88	45395	87-88	55753	115	65516	15, 17
34052	81	45411	29, 49	56057	81	65535	109
34053	81	45412	29, 49, 87-88,	56264	93	65536	109
34055	81		101	56704	113	65608	77-78
34056	81	45437	105	56912	19, 23-24, 39,	6562	81
34057P	81	45454	39		43-44	65815	57, 69
34058	57	45462	113	58116	15, 17, 35, 37	6584	27, 47
34059	69	45483	27, 47, 77-78	58209	109	65842	99
34447	41	45553	39	58211	71	6605	67
34448	21	45703	33, 53, 88, 101	58256	69	6607	73, 75, 93, 95
34503	81	45705	29, 33, 49, 53,	58274	65	6637	95, 99
34504	81		101	58301	119	6638	19, 23-24, 27,
34619	85	45782	69, 107	58402	119		39, 43-44, 47,
34727	29, 49	45873	19	58438	23-24, 39, 43-44		59-60, 63, 65,
34961	77-78, 95	45878	101	58448	39		67, 69, 73, 77-
34980-S	71	45912	119	58477	111		78, 81, 83, 85,
35610	121	45913	73, 75	58589	23-24, 43-44		95, 97, 99, 103,
35934	81, 105	45914	73, 75	58915	77-78		107, 115, 119,
35949P-S	85	45916	73, 75	58916	77-78		121
37002	59-60, 67	45921	75	58958	77-78	66811	83
37033	69	46160	57	59266	15, 35, 99	66812	83, 107
37097	23-24, 39, 43-44	46164	57	6002	67, 69	66813	107
37494	57	46674	59-60, 67	6019	15, 17, 23-24,	66815	107
37947	83	4828	15, 35, 63, 71,		35, 37, 43-44,	66816	83
38922	57		85, 95, 99, 103		59-60, 67, 69,	66818	83, 107
39591	105	48439	59-60		77-78, 85, 93,	66821	83, 107
40145	19	48648	73, 75		103	6782	39
40146	19	48649	73, 75	6021	15, 17, 23-24,	6884	27, 47
41398	24, 43-44	48877	59-60		35, 37, 39, 43-	6886	69, 73, 93
41774	73, 75	48880	21, 27, 41, 47, 75		44, 59-60, 63,	6888	73, 81, 85, 97,
41912	23-24, 43-44	48997	21, 27, 41, 47, 75		65, 67, 69, 73,		103, 121
41918	23-24, 43-44	49177-71294	117		77-78, 85, 93,	6889	97, 115
41921	23-24, 43-44	49212	117		95, 97, 119	6918	81
41922	23-24, 43-44	49214	117	6023	63	6935	81, 105
4266	97, 115, 119	49215	117	6024	63, 65, 93	7056	81, 105
43169	99	49612	21, 41	6033	23-24, 43-44,	72245	109
43255	75	49613	21, 41		59-60, 67, 77-	72255	69
43392	115	49887	109		78, 95, 99	72278	111
43597	21	49917	67	6035	63, 65	72282	113
43683	77-78	50144-S	99	6066	113	72319	23-24, 43-44
43956	105	52087	23-24, 39, 43-	60857	59-60	72326	105, 113
44211	109		44, 77-78	6086	15, 17, 35, 37	72327	63
44212	109	5224	15, 35	6090	19, 23-24, 39,	7261	23-24, 43-44,
44221	109	52415	75		43-44, 63, 67,		77-78

Part Number	Page
7265	115
73199	19
7339	59-60, 69
73806	93
73918	77-78
73956	103
73969	95
73994	97
75073	85
75469	99
75658	77-78
75659	78
75677	77-78
75682	78
75683	78
75684	77-78
75685	77-78
75686	77-78
77046	11
7713	85, 97
77139	59-60, 69
77303	99
77874	99
77877	99
81492	19
81493	19
81692	93
81693	99
8170	63, 69
8177	23-24, 43-44, 59-60, 73, 77-78
8179	59-60, 65
8220	15, 17, 35, 37
824879	107
8255	39, 71, 73, 85, 93, 95, 97, 119
83151	85
8516	63, 99
88356-127J5	93
8843	105
88516	99
89065	15, 17, 35, 37
89066	15, 17, 35, 37
89099	15, 35
89100	15, 35
8914	59-60, 97, 107
8915	85
8920	85
89785	67
89885	77-78
89915P	115
94077	73
94398	99
94920	77-78
9596	115
9599-S	115
97887	13
97890	11, 13
Ref.	73, 75
T108075	99
T114678	69

## Part Description Index

The Part Description Index is an alphabetical index of all part descriptions included in this manual. The index shows what page(s) the part is used on.

**5**

5/16-18 X .75 LG.FLG.LCK.SCREW.....69  
5/16-18 X 2.25 LG.FLG.LCK.SCRW.....39

**6**

6' HALF MESH PLAT/GATE KIT.....103

**A**

ADAPTER FLANGE,FUEL GAUGE PTD.....71  
ADAPTER,6402-8-8.....88  
ADAPTER,O-RING,G6410-10-8.....88  
ADAPTER,STR.THRD.TO STR.THRD.....87-88  
AIR CLEANER.....57, 69  
ALARM,CHIME TONE 5-25VDC\*\*\*.....113  
ALARM,WARBLE TONE 5-30 VDC\*\*\*.....105  
ALARM,INTERMITTENT TONE,24V.....113  
ALTERNATOR,FORD LSG-423\*\*\*.....57  
ANDERSON HOUSING,15-45 AMP BLK...103  
ANDERSON HOUSING,15-45 AMP GRN...103  
ANDERSON HOUSING,15-45,AMP,WHT...103  
ANGLE,RELAY MOUNTING,PAINTED.....81  
ARM, LIMIT SWITCH.....95  
ASSY, CIRCUIT BREAKER 15A.....83  
ASSY,RELAY SOCKET, AUTO.....81

**B**

BAFFLE,AIR,DEUTZ,PAINTED.....65  
BAFFLE,AIR,FORD,PAINTED.....63  
BALL STUD,1/2" BALL,3/8-16X1.2.....85  
BAR,AXLE ROTATION STOP,NON-OSC.....23-24, 43-44  
BAR,AXLE ROTATION STOP,OSC.....23-24, 43-44  
BAR,HYD.SWIVEL MOUNT PAINTED.....77-78  
BAR,TURNTABLE COVER STOP.....85  
BASE, W/1 N.O. CONTACTS\*\*\*.....107  
BASE,WITHOUT CONTACTS.....83, 107  
BATTERY HOLD DOWN,GROUP 31.....63, 69  
BATTERY,12V,1000 CCA GRP 31.....63, 69  
BEARING KIT (45553) TORQUE HUB.....23-24, 39, 43-44  
BEARING KIT, AUSCO\*\*\*.....77-78  
BEARING KIT,BRAKE,MICO.....23-24, 43-44  
BEARING KIT,MICO.....23-24, 43-44, 77-78  
BEARING KIT,ROTATOR,9K\*\*\*.....99  
BEARING RACE (LARGE) (45873).....19  
BEARING RACE (SMALL) (45873).....19  
BEARING, POLYGON P2055 (59105).....15, 35, 99  
BEARING,1.00IDX1.25ODX1.00L...15, 17, 35, 37  
BEARING,1.00IDX1.50ODX1.00L.....93  
BEARING,1.25ID X 1.5OD X 0.69L.....95  
BEARING,1.25IDX1.50DX1.00L.....15, 35  
BEARING,1.50IDX2.00ODX1.50LG.....95  
BEARING,1.5IDX1.75ODX1.0L.....23-24, 43-44  
BEARING,1.5IDX1.75ODX1.5L,PTFE...15, 17, 35, 37  
BEARING,FL,1.25ID X 1.41OD X 1.....99  
BEARING,FLANGED,.376ID (20424).....109  
BEARING,GARLOCK,24DU24.....93

BEARING,POLYGON,20DU12.....15, 35, 99  
BEARING,SERIES 3000.....77-78  
BELT,TIMING,FORD LSG-423\*\*\*.....59-60  
BELT,V, DEUTZ DIESEL ENGINE.....65  
BELT,V, FAN/ALT,FORD LSG423.....57  
BLANKET,BATTERY.....121  
BOLT KIT,D03.....73, 75  
BOOT (20424).....109  
BOOT(BELLOWS),E-STOP,BLACK.....83, 107  
BOOT,CONTROLLER.....111  
BOOT,THUMB 20424 JOYSTICK.....109  
BOOT,TOGGLE SWITCH,SHORT\*.....83, 107, 119, 121  
BOX,INSTRUCTION STORAGE.....103  
BRACKET,ACTUATOR ARM,PAINTED.....69  
BRACKET,AUX.PUMP MNT.PAINTED.....73  
BRACKET,CABLE TRACK GUIDE.....97  
BRACKET,COVER HINGE,BLUE.....85  
BRACKET,LP REG/AIR FILTER,PNTD.....59-60  
BRACKET,SOLENOID MTG.PAINTED.....69  
BRACKET,T.T.COVER ADJ.LH,PNTD.....85  
BRACKET,YOKE HOSE MNT,PAINTD.....39  
BRACKET-PANEL-WIRE MOUNTING 99.....83, 107  
BRAKE ASSEMBLY,TURNTABLE ROT.....77-78  
BRAKE,LINING KIT,MICO.....23-24, 43-44  
BRAKE,MICO,1200 IN/LB\*\*\*.....23-24, 43-44  
BRAKE,SWING,2800 IN/LB.....77-78  
BRCKET,AIR CLEANER MTG.PAINT.....69  
BRIDGE,50A FULL WAVE\*\*.....119  
BRKT,AIR CLEANER ORIENTATION\*\*.....57, 69  
BRKT,TRNTBL,COV ADJ,RH,PAINTED.....85  
BRUSH ASSEMBLY.....119  
BULKHEAD,FEMALE X 4.....85  
BUMPER, PLASTIC, 1.25 O.D.....115  
BUMPER,BATTERY BOX & RAILS.....115  
BUMPER,RUBBER\*\*\*.....85  
BUMPER,RUBBER-1 X 1.25.....85  
BUSHING,SPRING SEAT.....111  
BUTTON,PUSH,BLACK W/SEAL\*\*\*.....107  
BUTTON,PUSH,RED MUSHROOM HEAD.....83, 107

**C**

CABLE SQUEEZE CONN.....81  
CABLE SQUEEZE CONN.,XTRA LRG.....81, 105  
CABLE TIE,11.5" BLACK.....103  
CABLE TIE,4" BLK,HEAT RESISTNT.....103  
CABLE TRACK TRAY ASSY S40.....97  
CABLETRACK,PLATED, 41 LINK.....97  
CAM ASSY (20424).....109  
CAP, COOLANT RET SYS(54071).....63  
CAP, OIL FILLER, FORD LSG423.....57  
CAP,DIAGNOSTIC NIPPLE.....21, 27, 41, 47, 75  
CAP,DISENGAGE-45553 TORQUE HUB.....23-24, 39, 43-44  
CAP,DISTRIBUTOR,FORD.....57  
CAP,DUST,45873 HUB KIT.....19  
CAP,FUEL,GREEN\*.....71  
CAP,FUEL,RED\*\*\*.....71  
CAP,OIL FILLER,DEUTZ,DIESEL\*\*\*.....67  
CAP,RADIATOR,FORD\*\*\*.....63  
CARB REPAIR KIT, LSG/LRG-423.....57  
CARBURETOR FLOAT-ZENITH.....57  
CARBURETOR,FORD-LRG 423,AUTO\*\*.....57  
CARRIER TERMINAL(5 PER BLOCK).....81  
CLAMP, AIR CLEANER (27915)\*\*.....57, 69  
CLAMP,0.75,#12 X 1/4,RUB CUSH.....83  
CLAMP,DUAL HOSE.....39  
CLAMP,HOSE,1.75,LINED.....57, 63  
CLAMP,HOSE,2.25" DIA.....63  
CLAMP,HOSE,8.50 DIA\*\*\*.....65  
CLAMP,HOSE,SIZE .25 TO .63.....71  
CLAMP,MUFFLER,2 1/4" ID.....67  
CLAMP,RUB CUSH,0.75,#12 X 3/8\*.....39  
CLEVIS YOKE-1/4-28,PLTD W/PIN.....27, 47, 59-60, 69  
COIL, 12V, 19972/21623/29069.....75  
COIL, AUTOMATIC CHOKE.....57  
COIL, IGNITION,FORD.....59-60  
COIL, WITH DE CONNECTOR.....73  
COIL,10V.....59-60, 65, 75  
COIL,12V,19970,19971.....119  
COIL,D01,10V\*\*\*.....73, 75  
COIL,SOLENOID,10V.....75  
COLLAR, BOOT RETAINING.....109  
CONN,520120-4-6,.025 ORI.....59-60  
CONN,SQUEEZE,1/2NPT .38-.50,SM.....81, 105  
CONNECTOR ASSY,FOOTSWITCH S40...103  
CONNECTOR, DEUTZ FUEL SHUTOFF\*.....69  
CONNECTOR,070102-6-6.....87-88  
CONNECTOR,070120-12-12.....29, 33, 49, 53, 87-88  
CONNECTOR,070120-16-12.....87-88  
CONNECTOR,070120-16-16.....87-88  
CONNECTOR,070120-4-4.....88  
CONNECTOR,070120-4-6.....87-88, 101  
CONNECTOR,070120-6-6.....29, 49, 87-88, 101  
CONNECTOR,070120-6-8.....87-88  
CONNECTOR,070120-8-10.....29, 33, 49, 53, 87-88  
CONNECTOR,070120-8-12.....49, 53  
CONNECTOR,070120-8-6.....29, 49  
CONNECTOR,070120-8-8.....33, 53, 88, 101  
CONNECTOR,070122-8-8.....88, 101  
CONNECTOR,M18 X 8 JIC.....67  
CONTACT,N.O.....83  
CONTACT,NC.....83, 107  
CONTACTOR,LIMIT SWITCH.....77-78, 93, 95  
CONTROL BOX COVER, RIGHT SIDE\*.....115  
CONTROL BOX COVER,LEFT SIDE\*\*.....115  
CONTROL BOX W/DECAL,GROUND.....81, 83  
CONTROL BOX W/DECAL,PLAT.....105  
COOLANT RETURN SYSTEM,Z45\*\*\*.....63  
COUPLER - 27648 POWER UNIT.....73  
COUPLER,HUB,15 TOOTH 7/16BOLT\*.....59-60, 67  
COUPLING,FLYWHEEL,FL 15T 12.5".....59-60, 67  
COVER ASSY,ENGINE,GAS/LPG.....85  
COVER ASSY,REAR,TURNTABLE.....85  
COVER ASSY,TANK SIDE,T.TABLE.....85  
COVER CAP,TORQUE HUB\*\*\*.....23-24, 39, 43-44  
COVER CASTING,20424 CONTROLLER...109  
COVER LATCH ANGLE,PAINTED.....85

COVER PLATE (30668).....75  
 COVER SUPPORT WELDMNT LH.....85  
 COVER SUPPORT WELDMNT RH.....85  
 COVER, AUXILIARY POWER SWITCH.....83  
 COVER, CABLE TRACK TRAY.....97  
 COVER, CONTROL BOX LID.....115  
 COVER, DEUTZ ENGINE.....67  
 COVER, FRONT DEUTZ ENGINE.....65  
 COVER, GFCI, WEATHERPROOF.....105  
 COVER, KNOCK OUT HOLE, 4 PER BAG...105  
 COVER, LOWER CONT. BOX PAINTD.....85  
 COVER, NON-STEER AXLE "BLUE".....24, 44  
 COVER, PROTECTIVE, SLAVE W/JIB.....81  
 COVR W/DECL, DR. CHAS. NONSTEER.....23-  
 24, 43-44  
 COVR W/DECLS, DR. CHAS. STR. END.....19,  
 39  
 CYLINDER, MASTER, S40.....93  
 CYLINDER, EXT. 2.5" X 163.5".....95  
 CYLINDER, LIFT, S40.....93  
 CYLINDER, SLAVE, S40/45.....99  
 CYLINDER, STEER\*\*\*.....15, 17, 35, 37

**D**

DECAL KIT, COSMETIC, S40.....11, 13  
 DECAL KIT, SAFETY/INSTR, S-40.....11, 13  
 DECAL "GENIE 2 WD" WHITE.....11  
 DECAL, PATCH, GEN, ALC-500.....119  
 DECAL, ARROW BLUE.....13  
 DECAL, ARROW YELLOW LRG 9".....13  
 DECAL, COMPARTMENT ACCESS.....11  
 DECAL, COSMETIC, GENIE BOOM, VERT.....13  
 DECAL, COSMETIC, GENIE S-40.....11  
 DECAL, DANGER DO NOT ALTER SWTC.....13  
 DECAL, DANGER, ELEC. HAZ. STAY CLR.....11,  
 13  
 DECAL, DANGER, GEN SAFETY RULES.....11,  
 13  
 DECAL, DANGER, NO SMOKING\*\*\*.....11  
 DECAL, DIESEL.....11  
 DECAL, GENIE 4 WD, WHITE.....11  
 DECAL, GENIE S-40, WHITE, SMALL.....13  
 DECAL, GROUND CONTROL PANEL-S40...11  
 DECAL, INSTR, MAX SIDE FRC, ANSI.....13  
 DECAL, INSTRUCT, FOOTSWITCH OPER.....13  
 DECAL, LABEL, LIQUID PROPANE.....11  
 DECAL, LABEL, MANUAL NOT HERE.....13  
 DECAL, LABEL, UNLEADED GAS ONLY.....11  
 DECAL, NOTICE, LSG ENG SPECS.....11  
 DECAL, NOTICE, TIRE PRESSURE.....11  
 DECAL, NOTICE, DEUTZ ENG SPEC\*\*.....11  
 DECAL, NOTICE, HAZARDOUS MAT'LS\*.....11  
 DECAL, NOTICE, MAX LOAD 500 LBS.....13  
 DECAL, NOTICE, OPERATING INSTRN.....11,  
 13  
 DECAL, NOTICE, SHUTOFF VALVES.....11  
 DECAL, OPTION GENERATOR\*\*\*.....13  
 DECAL, OPTION GLOW PLUGS\*\*\*.....13, 121  
 DECAL, PLAT. CTRL, SYMBOLS ONLY.....13  
 DECAL, PLATFORM CTRL PANEL\*\*\*.....13  
 DECAL, POWER TO PLATFORM 115V.....11,  
 13  
 DECAL, POWER TO PLATFORM 230V.....11,  
 13  
 DECAL, PROTECT, CLEAR, PLAT.S40\*\*.....13  
 DECAL, S, BLUE, BLACK.....11  
 DECAL, STRIPES, WHITE, 12".....11  
 DECAL, TRIANGLE, BLUE.....13  
 DECAL, TRIANGLE, YELLOW.....13

DECAL, USE DEXRON\*\*\*.....11  
 DECAL, WARN, CRUSH HAZARD HAND.....11,  
 13  
 DECAL, WARN, CRUSH HAZARD PLAT.....11  
 DECAL, WARN, FALL HAZARD.....11  
 DECAL, WARN, IMPROPER OPERATION.....13  
 DIAGNOSTIC FEMALE Q-DSCNT.....21, 27,  
 41, 75  
 DIN RAIL, 23.75".....81  
 DIODE BLOCK SUPPRESSION.....81  
 DIODE, 6 AMP, 200 PIV, BULK.....69, 107  
 DIPSTICK.....69  
 DISC KIT DRIVE TURNTABLE Z-60\*.....78  
 DISCONNECT ROD-45553 TQ.HUB.....23-24,  
 39, 43-44  
 DOOR CATCH, BASE CONTROL BOX.....85

**E**

ELBOW, 070202-12-16.....87-88  
 ELBOW, 070202-4-4.....77-78  
 ELBOW, 070220-12-12.....29, 33, 49, 53  
 ELBOW, 070220-4-4.....29, 33, 49, 53, 88, 101  
 ELBOW, 070220-6-6.....29, 33, 49, 53, 87-88,  
 101  
 ELBOW, 070220-8-12.....87-88  
 ELBOW, 070221-12-12.....87-88  
 ELBOW, 070221-6-6.....101  
 ELBOW, 070320-12-12.....29, 33, 49, 53  
 ELBOW, 070320-12-16.....87-88  
 ELBOW, 070320-6-6.....29, 49  
 ELBOW, 070320-8-10.....87-88  
 ELBOW, 070320-8-8.....49, 53, 88  
 ELBOW, 070321-6-6.....101  
 ELBOW, 130239-2-2.....57  
 ELBOW, 130239-4-4.....71  
 ELBOW, 140238-16-16.....87-88  
 ELBOW, 140339-16-16.....87-88  
 ELBOW, 90DEG. 1/4MPT, 1/4SW, NPTF.....59-  
 60  
 ELBOW, 90DEG. 1/8MPT-5/16 BARB.....57  
 ELBOW, 90DEG. 6 X 14.....57  
 ELBOW, 90DEG. SWIV. SWEEP-8-8.....49, 53  
 END PLATE, WAGO.....105  
 ENGINE, DEUTZ D2011L031 (SERV).....65  
 EXHAUST, TAILPIPE, DEUTZ, S40.....67

**F**

FEMALE BULKHEAD CONNECTOR-8.....117  
 FILTER ASSY W/INDICATOR LH.....71  
 FILTER ASY, M PRESS, SAE8, WOIND\*.....59-  
 60, 69  
 FILTER ELEMENT-10 MIC.\*\*\*.....59-60, 69  
 FILTER ELEMENT-10MICRON.....71  
 FILTER MOUNT BRACKET.....59-60, 69  
 FILTER SCREEN, TANK BREATHER.....71  
 FILTER, OIL, FORD.....57  
 FILTER, AIR, ELEMENT\*\*\*.....57, 69  
 FILTER, ELEMENT, BETA(5)=1000.....59-60  
 FILTER, FUEL, LRG-423, SCREW-IN.....57  
 FILTER, FUEL/WTR SEP, DTZ 1008.....69  
 FILTER, OIL.....69  
 FILTER, OIL, FORD.....57  
 FLASHTUBE, STRAIGHT, 360DEG, BULB.....113  
 FLASHTUBE, U SHAPED, 360DEG, BULB.....113  
 FLYWHEEL COVER, CASTING\*\*\*.....67  
 FOOT SWITCH\*\*\*.....103  
 FUEL FILTER W/SEP, DEUTZ, 1008.....69  
 FUEL PUMP KIT, FORD LRG 423\*\*\*.....57

FUEL PUMP, ELECTRONIC.....57

**G**

GAS STRUT\*\*\*.....85  
 GASKET, EXHAUST.....59-60, 67  
 GASKET, FUEL PUMP, FORD.....57  
 GASKET, GBOX, S80/85 2008.....81, 83  
 GASKET, UPPER CONTROL BOX.....105  
 GASKET, WATER OUTLET, FORD.....57  
 GASKET, WATER PUMP, FORD.....57  
 GATE LATCH CASTING--DRILLED.....115  
 GAUGE, FUEL, SIDE MOUNT.....71  
 GAUGE, OIL PRESSURE W/O SENDER.....83  
 GAUGE, VOLTAGE.....83  
 GAUGE, WATER TEMP.....83  
 GAUGE-SIGHT, LHA-LGTB\*\*\*.....71  
 GEAR CASTING, 20424 CONTROLLER\*.....109  
 GEAR, SLAVE, 24493.....111  
 GENERATOR, 2000W, HYDRAULIC\*\*\*.....119  
 GLOW PLUG, L1011.....121  
 GOVERNOR, CNTRLR, FORD, LSG 423.....59-  
 60  
 GOVERNOR, MECHNCL, FORD LSG423.....59-  
 60  
 GUARD, FAN, DEUTZ F4L1011.....65  
 GUARD, FOOTSWITCH, W/DECAL  
 STEEL.....103  
 GUARD, PLATFORM CNTRL PANEL  
 PTD.....115

**H**

HANDLE HALF, JOYSTICK (20424).....109  
 HANDLE, CAP, CONTROLLER.....111  
 HARNESS ASSY, FOOTSWITCH.....103, 105  
 HEATER, FREEZE PLUG, FORD LRG423...121  
 HINGE CASTING.....115  
 HINGE, 375X.120THK., SLOTTED.....85  
 HINGE, PLAT CONTROL BOX COVER.....115  
 HORN, 12V SCREW TERMINAL \*\*\*.....93  
 HOSE ASSEMBLY, 33".....67  
 HOSE ASSEMBLY, 1/2".....117  
 HOSE ASSEMBLY, 10.5".....29, 49  
 HOSE ASSEMBLY, 100".....101  
 HOSE ASSEMBLY, 108".....29, 49, 101  
 HOSE ASSEMBLY, 137".....101  
 HOSE ASSEMBLY, 14.75".....87-88  
 HOSE ASSEMBLY, 15".....29, 49, 87-88  
 HOSE ASSEMBLY, 16.75".....88  
 HOSE ASSEMBLY, 19".....29, 33, 49, 53, 77-  
 78, 85  
 HOSE ASSEMBLY, 19.25".....88  
 HOSE ASSEMBLY, 21.38".....88  
 HOSE ASSEMBLY, 22.5".....29, 33, 49, 53  
 HOSE ASSEMBLY, 23".....29, 33  
 HOSE ASSEMBLY, 24".....101  
 HOSE ASSEMBLY, 24.50".....87-88  
 HOSE ASSEMBLY, 25".....29, 33, 49, 53, 87-88  
 HOSE ASSEMBLY, 26.25".....87-88  
 HOSE ASSEMBLY, 27".....87-88  
 HOSE ASSEMBLY, 28".....101  
 HOSE ASSEMBLY, 32.0".....88  
 HOSE ASSEMBLY, 34.5".....29, 33, 49, 53  
 HOSE ASSEMBLY, 35".....49, 53  
 HOSE ASSEMBLY, 35.25".....87-88  
 HOSE ASSEMBLY, 36.50".....87-88  
 HOSE ASSEMBLY, 37.75".....87-88  
 HOSE ASSEMBLY, 40.5".....29, 33, 49, 53  
 HOSE ASSEMBLY, 41".....87-88

## Part Description Index (continued)

- HOSE ASSEMBLY,42".....87-88  
 HOSE ASSEMBLY,42.25".....87-88  
 HOSE ASSEMBLY,43".....29, 33, 49, 53  
 HOSE ASSEMBLY,44".....87-88  
 HOSE ASSEMBLY,44.50".....87-88  
 HOSE ASSEMBLY,45.75".....87-88  
 HOSE ASSEMBLY,52".....87-88  
 HOSE ASSEMBLY,526".....101  
 HOSE ASSEMBLY,534".....101  
 HOSE ASSEMBLY,55".....29, 49  
 HOSE ASSEMBLY,56".....29, 49  
 HOSE ASSEMBLY,567".....101  
 HOSE ASSEMBLY,57".....29, 33  
 HOSE ASSEMBLY,61".....29, 33, 49, 53  
 HOSE ASSEMBLY,64.5".....29, 33, 49, 53  
 HOSE ASSEMBLY,66".....29, 33, 49, 53  
 HOSE ASSEMBLY,75".....29, 33, 49, 53  
 HOSE ASSEMBLY,80".....49, 53  
 HOSE ASSEMBLY,85.5".....49, 53  
 HOSE ASSEMBLY,90.5".....101  
 HOSE ASSEMBLY,98".....49, 53  
 HOSE ASSEMBLY,LP GAS-86" LNG\*\*.....59-60, 71  
 HOSE ASSY,18".....81  
 HOSE ASSY,MOTOR OIL DRAIN.....57  
 HOSE COVER,LWR CABLE TRK,BLU.....97  
 HOSE END,BARBED RIGID-16-16.....87-88  
 HOSE END,BARBED,SWIVEL,-12-12.....29, 33, 49, 53, 87-88  
 HOSE END,BARBED,SWIVEL,-8-8.....29, 33, 49, 53  
 HOSE END,BARBED,SWIVEL,90DEG-8.....29, 33, 49, 53  
 HOSE END,MALE PIPE,WH#1551.....57  
 HOSE END,MALE.25 X .25 MPT.....71  
 HOSE,1/4 FUEL LINE,SAE 30R7.....71  
 HOSE,5/16 FUEL,SAE 30R7.....71  
 HOSE,BOTTOM RADIATOR,FORD.....57, 63  
 HOSE,TOP RADIATOR,FORD.....57, 63  
 HOUR METER,10-80 VOLTS\*\*\*.....83  
 HUB ASSEMBLY MODEL#60-8.....19  
 HYD SWIVEL,7 PORT,S40/60.....77-78  
 HYDRAULIC TANK ASSY,S40/80\*\*\*.....71
- I**
- IGNITION MODULE MTG.PLATE ASSY.....59-60  
 IGNITION, ELECTRONIC, FORD.....59-60  
 INJECTION PUMP,DEUTZ DIESEL.....67  
 INJECTOR, FUEL LINE DEUTZ DSL.....67  
 INJECTOR,DEUTZ.....67  
 INNER CONE - MODEL 60-8.....19  
 ISOLATOR,VIBRATION,LG,RD&WH\*\*\*.....63, 65
- J**
- JOYSTICK CONTROLLER,12V.....109  
 JOYSTICK, DRIVE GEAR, (24493).....111  
 JOYSTICK,MULT AXIS CONT.....111  
 JOYSTICK,MULT AXIS CONT,OEM\*\*\*.....111  
 JOYSTICK,MULT AXIS,W/O PCB.....111
- K**
- KEY,LATCH, 1 PAIR (28125).....85  
 KEY,SINGLE\*\*\*.....83  
 KEYS,10 PACK\*\*\*.....83  
 KEYSWITCH,3POS.MNTND.DR WKEY\*\*.....83  
 KEYSWITCH,CONTACTS LOCK.....83
- KIT, JOYSTICK HANDLE.....109  
 KIT,CONTROL BOX COVER.....115  
 KIT,COVER,TORQUE HUB,45553\*\*\*.....23-24, 39, 43-44  
 KIT,ESTOP SVC BB&SM BOOM.....83, 107  
 KIT,FIELD INSTALL,SWING GATE.....115  
 KIT,HORN SVC BB&SM BOOM.....107  
 KIT,KEYSWITCH SVC BB & SM BOOM.....83  
 KIT,PLAT CONTROL PANEL GUARD\*\*.....115  
 KIT,SWING GATE W/SPRING.....115  
 KIT,TORQUE HUB COVER (45553)\*\*.....39
- L**
- LATCH,FLUSH CUP\*\*\*.....85  
 LATCH,SLIDE, FLUSH MOUNT STYLE.....85  
 LENS,AMBER,STROBE,FIREBOLT.....113  
 LIGHT,LED IND. RED 12V NH.....107  
 LIMIT SWITCH BRKT,DRIVE,PAIN.....77-78  
 LIMITER PC BOARD, HORSEPOWER.....105  
 LINING KIT,AUSCO (73918)\*\*\*.....77-78  
 LINING KIT,MICO BRAKE.....23-24, 43-44  
 LINING REPAIR KIT (41915).....77-78  
 LINKAGE ROD.....27, 47  
 LOCK RING.....109  
 LOCKNUT,ELEC,1/2".....81, 105  
 LOCKNUT,ELECTRIC,1" NPT.....81  
 LOCKNUT,ELECTRIC,3/4".....81, 105  
 LP.TANK BRKT WLDMT.,SHORT.....119  
 LP.TANK BRKT WLDMT.,TALL.....71  
 LS SPRING WAND (ZCY91).....93  
 LUG BOLT,5/8-18,WHEEL HUB\*\*\*.....19  
 LUG,WHEEL STUD,5/8-18,W1/4HB\*\*.....23-24, 39, 43-44
- M**
- MACH.,PRIMARY CYLINDER MNT.....93  
 MALE PIPE THD,1/4" SER,3/8"X18.....117  
 MANIFOLD,ASSY,GENERATOR.....119  
 MANIFOLD,FUNCTION S40.....73, 75  
 MANIFOLD,FUNCTN S40,S60,S80.....73  
 MANIFOLD,OSCILLATION.....27, 47  
 MANIFOLD,TRACTN,4WD,(S)SERIES\*.....41  
 MANIFOLD,TURNTABLE ROTATION\*\*\*.....77-78  
 MICROSWITCH,13482 FOOTSWITCH.....103  
 MICROSWITCH,V3L-139-D8.....111  
 MIDRAIL GUIDE ( HOOK ).....103  
 MODULE,IGNITION/START,12/24V.....81  
 MOTOR,12V DC (24573).....73  
 MOTOR,HYD,25CC FIXED\*\*\*.....39  
 MOTOR,HYDRAULIC GENERATOR.....119  
 MOTOR,HYDRAULIC,AXIAL PORTS\*\*\*.....24, 43-44  
 MOTOR,SWING DRIVE (53147).....77-78  
 MOTOR,TURNTABLE ROTATION\*\*\*.....77-78  
 MOUNT,RAD.SUPPT.,RH,PAINTED.....63  
 MOUNTING BAND (27915).....57, 69  
 MPT,CPLR,1/4"SER,3/8"X18.....117  
 MUFFLER,DEUTZ.....67  
 MUFFLER,EXH,FORD,BIG BOOMS\*\*\*.....59-60
- N**
- NIPPLE,DIAGNOSTIC,#4 PORT\*\*\*.....21, 27, 41, 47, 75  
 NIPPLE,HEX,140137-16.....87-88  
 NON-OSCILATING STEER AXLE ASSY.....17, 37
- NON-STEER AXLE ASSY,S40.....23-24, 43-44  
 NUT & BOLT KIT (25883).....109  
 NUT - PLASTIC,RING FOR ALARMS.....105, 113  
 NUT,DO1 VALVE.....73, 75  
 NUT,HEX,1/4-28.....27, 47, 59-60, 69  
 NUT,HEX,JAM,1-8.....15, 17, 35, 37  
 NUT,HEX,M4 X 0.7 MM (20424)\*\*\*.....109  
 NUT,LOCKING-LG.FLANGE,1/4-20.....85  
 NUT,LP NYLOCK,1/2-13.....15, 17, 35, 37  
 NUT,LP NYLOCK,1/4-20.....97, 115  
 NUT,LP NYLOCK,3/8-16.....85, 97  
 NUT,LP NYLOCK,5/16-18.....67, 69  
 NUT,LUG,5/8-18 X 90 DEGREE,Z45.....19, 23-24, 39, 43-44  
 NUT,NYLOCK,1-8.....99  
 NUT,NYLOCK,1/2-13.....63, 73, 77-78  
 NUT,NYLOCK,1/4-20.....27, 47, 59-60, 65, 69, 73, 81, 85, 95, 97, 103, 107, 121  
 NUT,NYLOCK,10-24.....27, 47  
 NUT,NYLOCK,10-32.....95, 113  
 NUT,NYLOCK,3/8-16.....15, 35, 63, 71, 85, 95, 99, 103  
 NUT,NYLOCK,5/16-18.....39  
 NUT,NYLOCK,5/8-11.....63, 65, 93  
 NUT,SOLENOID VALVE.....59-60, 65, 75  
 NUT,SOLENOID,2POS 3WAY.....119  
 NUT,SPINDLE,1-14.....19  
 NUT,WING,1/4-20.....63, 69  
 NUT-D03 COIL.....73, 75
- O**
- O-RING (2-114).....77-78  
 O-RING KIT (ORFS FITTINGS).....21, 41  
 O-RING KIT,FIELD SVC,ALL PROD\*.....21, 41  
 O-RING\*\*\*.....59-60, 67  
 O-RING, D03 COIL.....73, 75  
 O-RING, DO1 VALVE.....73, 75  
 O-RING, TORQUE HUB.....23-24, 39, 43-44  
 O-RING,2-042 N674-70\*\*\*.....77-78  
 O-RING,2-044 BUNA\*\*\*.....23-24, 39, 43-44, 77-78  
 O-RING,BOOT,CONTROLLER.....111  
 O-RING,MOTOR TO BRAKE\*\*\*.....23-24, 39, 43-44, 77-78  
 OIL COOLER KIT,S60,S80 PARKER.....71  
 OSCILLATE VALVE LINKAGE.....27, 47  
 OSCILLATE,CYLINDER S40/45.....15, 35  
 OUTER CONE - MODEL 60-8.....19  
 OUTLET,110V GFCI\*\*\*.....105
- P**
- PAD,EXTENSION CYLINDER,BOTTOM.....95  
 PAD,EXTENSION CYLINDER,TOP.....95  
 PAINT,AEROSOL,BRIGHT BLUE\*\*\*.....11, 13  
 PAINT,AEROSOL,GENIE GRAY\*\*\*.....11, 13  
 PAINT,WET,GENIE BLUE (1 GL)\*\*.....11, 13  
 PAINT,WET,GENIE GRAY (1 GL)\*\*.....11, 13  
 PCB,11179AB,(SWING)\*\*\*.....111  
 PCB,11179CD,(LIFT)\*\*\*.....111  
 PIN ASSEMBLY,TURNTBLE ROTATION.....77-78  
 PIN ASSY, RETAINER, SS I & II.....77-78  
 PIN,1.00DIA X 2.88LG,1HOLE.....15, 17, 35, 37, 93  
 PIN,1.00DIA X 6.67LG,2RING.....95  
 PIN,1.00DIA X 9.46LG,2RING.....95



- PIN,1.25DIAX3.00LG,1HOLE.....15, 35  
 PIN,1.25DIAX5.25LG,1HOLE.....99  
 PIN,1.25DIAX7.17LG,2RING.....99  
 PIN,1.25DIAX7.25LG,1HOLE.....15, 35  
 PIN,1.50 DIA X 4.76 LG.GES1360.....15, 17, 35, 37  
 PIN,1.50DIAX17.25LG,1HOLE.....15, 17, 23-24, 35, 37, 43-44  
 PIN,1.50DIAX6.38LG,1HOLE.....93  
 PIN,1.50DIAX7.75LG,1HOLE.....93  
 PIN,CLEVIS,1 X 2.5 LG.....15, 17, 35, 37  
 PIN,COTTER,.063 X 1.....27, 47  
 PIN,COTTER,.125 X 1.5.....15, 17, 35, 37  
 PIN,COTTER,.219 X 1.75.....19  
 PIN,LOCK,SHORT\*\*\*.....115  
 PIN,PRIM.BOOM,16.0 X 1.5 INCH.....95  
 PIN,ROLL,.094 X .875.....103  
 PIN,ROLL,SST,.25 X 2.25.....15, 17, 35, 37  
 PIN,ROTATOR,8.13 X 1.25 INCH.....99  
 PINCH GUARD RAIL,6' PLATFORM.....115  
 PINCH GUARD RAIL,8' PLATFORM\*\*.....115  
 PINION GEAR.....77-78  
 PISTON (30797).....27, 47  
 PLASTIC END STOP.....81  
 PLASTIC TRACK BRKT SET.....97  
 PLAT. ASSY,8 FT,SERV,S40/60/80.....103  
 PLAT. ASSY,EURO,6 FT, S40.....103  
 PLAT. ASSY,EURO,8 FT, S40.....103  
 PLAT.ASSY,6FT-S40/S60-95' & S80.....103  
 PLATE,ENGINE MOUNT,PAINTED.....63  
 PLATE,PUMP MOUNT,FORD,PAINTED.....59-60  
 PLATE,REINFORCEMENT.....99  
 PLATE,SIDE CHASSIS.....88  
 PLATE,SWING COVER LATCH.....85  
 PLATFORM SUPPORT WELDMNT\*\*\*.....99  
 PLUG AND CAP KIT-SERVICE,37ø\*\*.....21, 41  
 PLUG AND CAP KIT-SERVICE,ORFS\*.....21, 41  
 PLUG, SANTOPRENE .5 BLACK DOME.....83, 107  
 PLUG,HEX HEAD,090109A-6.....87-88  
 PLUG,HEX HEAD,090109A-8.....29  
 PLUG,MALE,070109-6.....57, 67  
 PLUG,NYLON 1.187 BLACK DOMED.....115  
 PLUG,ORIFICE,0.052 INCH.....41  
 PLUG,ORIFICE,0.070.....21, 41  
 PLUG,PIPE,HEX HEAD,STL,1/4NPT.....71  
 PLUG,SQUARE HEAD,3/4 MPT.....71  
 PLUG,W/LATCH,4 POLE,ANDERSON.....103  
 POT PLATE ASSEMBLY (20424).....109  
 POTENTIOMETER (20424).....109  
 POTENTIOMETER-JOYSTCK(53073).....111  
 POWER UNIT,AUX PUMP 12VDC.....73  
 POWER UNIT,AUXILIARY DC1003.....73  
 PRIMARY BOOM ASSY,S40.....95  
 PRIMARY BOOM EXT ASSY,S-40\*\*\*.....95  
 PUMP ASSY, FUEL, DEUTZ DIESEL.....69  
 PUMP ASSY,(27648).....73  
 PUMP,LIFT 1.025 C.I.\*\*\*.....59-60, 67  
 PUMP,VAR.PISTON M46 2.8 CIQVP\*.....59-60, 67  
 PUMP,WATER,FORD.....57
- R**
- RADIATOR SHROUD,PAINTED.....63  
 RADIATOR,FORD (LSG).....63  
 RAILING CATCH CASTING-DRILLED.....115  
 RECEPT.,SNAP-IN,4 POLE ANDERSN.....103
- RECEPTACLE - BRITISH, 110V.....105  
 RECTIFIER ASSEMBLY.....119  
 REDUCER,070123-10-4.....88  
 REGULATOR DIAPH.KIT BEAM 120A.....60  
 REGULATOR, VOLTAGE, Z45GP91.....59-60  
 REGULATOR,LPG,BEAM #120A.....60  
 RELAY,SPDT,12V(AUTO) PLUG IN\*\*.....81  
 RESISTOR,10 OHM,25 WATT.....83  
 RETAINER,GAS SPRING\*\*\*.....85  
 RETAINER-N.C.PROPOR.SOLENOID.....75  
 RING GEAR,DEUTZ F3 & F4L1011.....67  
 RING GEAR,DEUTZ F3 & F4L1011F.....67  
 RING GEAR,DEUTZ F3L2011F.....67  
 RING GEAR,FORD\*\*\*.....59-60  
 RIVET,ALUM,ALUM,3/16BUTTONHEAD.....115  
 RIVET,ALUM,ALUM,P.156 X .375.....85  
 RIVET,STEEL,P,.25 X .375.....115  
 ROCKER ASSY,HANDLE (20424)\*\*\*.....109  
 ROD END,.375 X 2.25\*\*\*.....15, 17, 35, 37  
 ROD END,.375 X 3.69...15, 17, 23-24, 35, 37, 43-44, 93, 95, 99  
 ROD END,.50 X 4.....95  
 ROLLER ARM-LIMIT SWITCH.....77-78  
 ROTATOR ASSEMBLY,8.2K\*\*\*.....99  
 ROTATOR,PLAT,NON-JIB.....99  
 ROTOR,DISTRIBUTOR,FORD.....57
- S**
- S40 AIRLINE TO PLATFORM.....117  
 SCREW,BLEEDER,M5X0.8.....99  
 SCREW,FHS,3/8-16 X 1.....85  
 SCREW,HEX,M4X0.7X10MM (20424)\*.....109  
 SCREW,HEX,M4X0.7X30MM (20424)\*.....109  
 SCREW,HHC,1-8 X 12IN GRD.2\*\*.....99  
 SCREW,HHC,1/2-13 X 1, GR 8.....39  
 SCREW,HHC,1/2-13 X 1.25 GR5.....23-24, 43-44, 59-60, 67, 95, 99  
 SCREW,HHC,1/2-13 X 1.5.....23-24, 43-44, 59-60, 73, 77-78  
 SCREW,HHC,1/2-13 X 3.....63  
 SCREW,HHC,1/2-13 X 4.....15, 17, 35, 37  
 SCREW,HHC,1/2-13 X 5 BLACK.....23-24, 43-44, 77-78  
 SCREW,HHC,1/4-20 X .5.....59-60, 69  
 SCREW,HHC,1/4-20 X .625.....59-60, 97, 107  
 SCREW,HHC,1/4-20 X .75.....19, 23-24, 39, 43-44, 63, 67, 69, 73, 77-78, 81, 83, 93, 97, 103, 115  
 SCREW,HHC,1/4-20 X 1...73, 81, 85, 97, 103, 121  
 SCREW,HHC,1/4-20 X 1.25.....85  
 SCREW,HHC,1/4-20 X 1.75.....95, 99  
 SCREW,HHC,1/4-20 X 2.....97, 115, 119  
 SCREW,HHC,1/4-20 X 2.25.....59-60, 65  
 SCREW,HHC,1/4-20 X 2.5.....27, 47  
 SCREW,HHC,1/4-20 X 3.....27, 47  
 SCREW,HHC,3/8-16 X .75.....39, 71, 73, 85, 93, 95, 97, 119  
 SCREW,HHC,3/8-16 X 1.....15, 17, 35, 37, 59-60, 63, 65, 67, 73, 77-78, 85, 93, 119  
 SCREW,HHC,3/8-16 X 1.25 GRD 5.....15, 17, 23-24, 35, 37, 43-44, 59-60, 67, 69, 77-78, 85, 93, 103  
 SCREW,HHC,3/8-16 X 1.50,GR5.....63, 99  
 SCREW,HHC,3/8-16 X 1.75,GRD.8.....95  
 SCREW,HHC,3/8-16 X 2.....15, 35  
 SCREW,HHC,3/8-16 X 3.5,GR5.....67  
 SCREW,HHC,3/8-16 X 6.....97  
 SCREW,HHC,5/16-18 X 1 GR5.....73
- SCREW,HHC,5/8-11 X 1.75 GRD.8.....63, 67  
 SCREW,HHC,5/8-11 X 3.5.....63  
 SCREW,HHC,5/8-11 X 3.5 GRD.8.....93  
 SCREW,HHC,M10 X 25MM,GR 8.8.....63  
 SCREW,HHC,M6 X 20MM,GR8.8.....69  
 SCREW,HHC,M8 X 20MM.....69  
 SCREW,PHIL,PHM,10-24 X.38,SEMS.....63  
 SCREW,RHM,10-32 X .38.....113  
 SCREW,RHM,10-32 X 1.75.....93, 95  
 SCREW,SHC,1/4-20 X 2.....73  
 SCREW,SHC,10-24 X 1 (D01).....75  
 SCREW,SHC,10-24 X 1.250 (D01).....73, 75  
 SCREW,SHC,10-24 X 2.....75  
 SCREW,SHC,10-24 X 3.....75  
 SCREW,SHC,3/8-16 X .75,BLACK.....99  
 SCREW,SHC,5/8-11 X 1.75.....77-78  
 SCREW,SHC,5/8-11 X 2.25.....23-24, 39, 43-44  
 SCREW,SHC,5/8-11 X 4,A574.....65, 77-78  
 SCREW,SHS,10-24 X .625.....27, 47  
 SEAL KIT (ALL MANIFOLDS).....27, 47, 75  
 SEAL KIT (CYL PN 30528).....95  
 SEAL KIT (CYL PN 30529).....93  
 SEAL KIT (CYL PN 30585).....15, 17, 35, 37  
 SEAL KIT (W1B) TORQUE HUBS.....23-24, 39, 43-44  
 SEAL KIT CYL,S40 (63206).....93  
 SEAL KIT CYL,S40 SLAVE (81693).....99  
 SEAL KIT, AUSCO (73918).....78  
 SEAL KIT, 58958 SWING MOTOR.....77-78  
 SEAL KIT,8K ROTATOR\*\*\*.....99  
 SEAL KIT,BRAKE,MICO.....23-24, 43-44  
 SEAL KIT,BRAKE,TURNTABLE ROT.....77-78  
 SEAL KIT,CONTROL VALVE.....27, 47  
 SEAL KIT,HYDRAULIC CYLINDER\*\*\*.....15, 35, 93, 99  
 SEAL KIT,LIFT PUMP (53961)\*\*\*.....59-60, 67  
 SEAL KIT,LIFT PUMP\*\*.....59-60, 67  
 SEAL KIT,MICO.....23-24, 43-44, 77-78  
 SEAL KIT,MOTOR TURNTABLE\*\*\*.....77-78  
 SEAL KIT,OSC.CYL.....15, 35  
 SEAL KIT,PLAT ROTATE\*\*\*.....99  
 SEAL KIT,SAUER-DANFOSS M46\*\*\*.....59-60, 67  
 SEAL KIT,STEER CYL (89065).....15, 17, 35, 37  
 SEAL KIT,SUNSTRAND.....24, 39, 43-44  
 SEAL KIT,SWIVEL (44367).....77-78  
 SEAL KIT,UNIVERSAL,9K ROTATOR\*.....99  
 SEAL,SHAFT.....77-78  
 SEAL,THERMOSTAT,FORD.....57  
 SEAL-GREASE,MODEL 60-8.....19  
 SEAL/BEARING KIT (45043,54840).....19  
 SENDING UNIT,OIL PRESS.,DEUTZ.....69  
 SENDING UNIT,OIL PRESS.,DEUTZ\*.....69  
 SENDING UNIT,OIL PRESSURE\*\*\*.....57  
 SENDING UNIT,OIL TEMP.....69  
 SENDING UNIT,TMP,FRD,GM,PRK704.....57  
 SENSOR,LEVEL,4.5 DEG.....73  
 SERIAL # LABEL,MYLAR 4X8\*\*\*.....11  
 SHAFT (53073)\*\*\*.....111  
 SHAFT ADAPTER, HELAC ROTATOR.....99  
 SHAFT ASSY W/HOUSING.....111  
 SHAFT,OUTPUT,PINION,TURNTABLE.....77-78  
 SHAFT,W/NF STYL BLOCK,(20424)\*.....109  
 SHIM,AXLE ROTATION STOP.....23-24, 43-44

## Part Description Index (continued)

- SHIM, AXLE ROTATION STOP, 22 GA.....23-24, 43-44  
 SHIM, PRIMARY BOOM, .064 THK.....95  
 SHIM, WEAR PAD, 5X 1.5 16GA.....95  
 SHOCK MOUNT, SMALL.....63  
 SHUTDOWN SOLENOID, 12V, DEUTZ.....69  
 SLEEVE, NYLON, 2" I.D., BULK (100').....103  
 SLIDING MIDRAIL KIT, PTD.....103  
 SNAP PIN.....115  
 SNAP RING, EXTERNAL, 1.00, ZAG.....95, 99  
 SOLENOID CABLE ASSY\*\*\*.....69  
 SOLENOID VALVE, N.C. 2POS. 3WAY.....59-60, 65  
 SOLENOID, ANTI-DIESELING.....57  
 SOLENOID, 12V CONTINUOUS\*\*\*.....81, 121  
 SOLENOID, THROTTLE.....69  
 SOLENOID-GASOLINE FUEL.....71  
 SPACER, NYLON, .375.....105  
 SPARK PLUG WIRE SET, LSG 423.....57, 59-60  
 SPARK PLUG, FORD.....57, 59-60  
 SPRING (RED) MICO.....23-24, 43-44  
 SPRING CLIP, 1/4-20, .025-.15X.5.....19, 23-24, 39, 43-44  
 SPRING CLIP, 3/8-16.....73, 85, 119  
 SPRING KIT, MICO.....77-78  
 SPRING, 24493 CONTROLLER.....111  
 SPRING, DRIVE TURNTABLE.....78  
 SPRING, RETURN\*\*\*.....109  
 SPUR GEAR (20424).....109  
 STARTER ASSY - PRE 8/14/95.....65  
 STARTER SOLENOID, DEUTZ 25484.....65  
 STARTER, ENGINE, FORD LSG/LRG\*\*\*.....59-60  
 STRAINER ASSEMBLY, PAINTED.....71, 87-88  
 STRAINER, FILLER NECK.....71  
 STRAP ASSY, TANK, 66 INCH.....71  
 STROBE, FIREBOLT, 12-80VDC, AMB\*\*.....113  
 SUB PLATE (SPOOL VALVE).....73  
 SUPPORT, RAILING.....115  
 SUPPORT, WRIST, PAINTED-BLUE.....107  
 SWING DRIVE ASSEMBLY, S40/Z60.....77-78  
 SWITCH (20424).....109  
 SWITCH PLATE ASSEMBLY (20424).....109  
 SWITCH TOGGLE ASSY DPDT 2P MNT...83, 107, 119  
 SWITCH TOGGLE ASSY DPDT 2P MOM...83, 107  
 SWITCH TOGGLE ASSY DPDT 3P MNT...107  
 SWITCH TOGGLE ASSY DPDT 3P MOM...83, 107  
 SWITCH TOGGLE ASSY SPDT 3P MOM...83, 107, 121  
 SWITCH, HANDLE, 20424.....109  
 SWITCH, LIMIT, W/6.25" SPRING ARM.....93  
 SWITCH, LIMIT, W/ROLLER ARM.....77-78, 95  
 SWITCH, VACUUM.....59-60  
 SWITCH/SENDER, OIL TEMPERATURE.....69
- T**
- T-BOX, 2.75 X 4.5 X 2.0.....105  
 TANK STRAP, BOLT STYLE, 62".....71  
 TANK, LP, 7 GAL.....71, 119  
 TANK, 30 GALLON, PAINTED\*\*.....71  
 TAPE, NON SKID, 2" WIDE (BULK).....103  
 TAPE, WARNING, BLK/YEL, 50\*\*\*.....11, 13  
 TEE, BRANCH, 070429-10-10.....88  
 TEE, BRANCH, 070429-6-6.....29, 33, 49, 53, 101  
 TEE, BRANCH, 070429-8-8.....88  
 TEE, BRANCH, 070433-8.....29, 49  
 TEE, RUN, 070428-4-4.....29, 33, 49, 53  
 TEE, RUN, 070428-6-6.....87-88  
 TEE, RUN, 070428-8.....29, 49, 53  
 TEE, RUN, 070432-12.....87-88  
 TEE, RUN, 070432-4.....88  
 TEE, RUN, 070432-8.....29, 33, 49, 53, 87-88  
 TEE, UNION, 070401-12.....87-88  
 TEE, UNION, 070401-6.....29, 49  
 TERM RELAY, N-INSULATE 14-16 GA.....81  
 TERM, RELAY, N-INSULATE 18-20 GA.....81  
 Terminal - Relay Socket, 10 - 12 Gauge.....81  
 TERMINAL BLOCK (SINGLE), WAGO\*\*\*.....81, 105  
 TERMINAL BLOCK, WAGO.....105  
 TERMINAL, ANDERSON, 30A 12-16 GA.....103  
 THERMOSTAT & SEAL, FORD.....57  
 THREADED ROD, (1/4-20), 9.75.....63, 69  
 THREADED ROD, 1/4-28 X 10 IN\*\*\*.....59-60, 69  
 THRUST CAP (20193).....23-24, 43-44  
 TIE ROD, WELDMENT.....15, 17, 35, 37  
 TIRE & WHEEL ASSY, AIR, LEFT.....23-24, 39, 43-44  
 TIRE & WHEEL ASSY, AIR, RIGHT.....23-24, 39, 43-44  
 TIRE & WHEEL ASSY, AIR, STEER.....19  
 TIRE & WHEEL ASSY, LH FOAM.....19  
 TIRE & WHEEL ASSY, RH FOAM.....19  
 TIRE & WHEEL ASSY, LEFT, FOAM.....23-24, 39, 43-44  
 TIRE & WHEEL ASSY, RIGHT, FOAM.....23-24, 39, 43-44  
 TIRE, 12 X 16.5 8 PLY SGL.....23-24, 39, 43-44  
 TIRE, 12.5L-16 SL, 12 PLY\*\*\*\*.....19  
 TIRE, 12.5L-16SL, 12 PLY\*\*\*\*\*.....19  
 TOEBOARD, PLTFM ENTRY EUR, PNTD\*...103  
 TOOL TRAY ACCESSORY\*\*\*.....115  
 TORQUE HUB SERIES 1-18.25:1.....39  
 TORQUE HUB, 35:1\*\*\*.....23-24, 43-44  
 TORQUE HUB-SWING\*\*\*.....77-78  
 TRACK REPAIR, 7 LINK (25706).....97  
 TRACTION MANIFOLD, 2WD\*\*\*.....21  
 TUBE, SLIDING MIDRAIL, PAINTED.....103
- U**
- U-BOLT, KIT 5/16-18 X 2.5.....67  
 U-BOLT, 3/8 X 1 YZ.....103  
 UPDATE KIT STEERING S40/45.....15, 17, 35, 37
- V**
- VALVE ASSY, BLEED\*\*\*.....99  
 VALVE KIT, D03.....73, 75  
 VALVE, BALL, 1" MPT X FPT.....87-88  
 VALVE, CHECK.....73  
 VALVE, CHECK (30797).....27, 47  
 VALVE, CHECK\*\*\*.....75  
 VALVE, CHECK, #8 O-RING PORTS.....88  
 VALVE, CNTERBAL, CBBB-LHN@3000\*\*.....15, 35, 93  
 VALVE, CNTERBALANCE-SUN@3000.....93  
 VALVE, CNTRBAL 3500PSI, ATM VEN.....99  
 VALVE, COUNTERBAL, CBBB-LHN@2600.....95  
 VALVE, COUNTERBAL, CBCG-LJN@3000.....99  
 VALVE, COUNTERBALANCE.....75  
 VALVE, COUNTERBALANCE 2500 PSI\*.....77-78  
 VALVE, COUNTERBALANCE SANDWICH.....75  
 VALVE, COUNTERBALANCE\*\*\*.....99  
 VALVE, DIFFERENTIAL SENSING.....27, 47  
 VALVE, DIFFERENTIAL SENSING\*\*\*.....75  
 VALVE, DO1.....75  
 VALVE, DRAIN, FORD, BLOCK, RAD.....59-60, 63  
 VALVE, DUAL CB MANIFOLD.....99  
 VALVE, FLOW DIVIDER/COMBINER.....21, 41  
 VALVE, FLOW REGULATOR.....75  
 VALVE, FLOW REGULATOR 0.6GPM.....75  
 VALVE, FLOW REGULATOR 2.0 GPM.....73, 75  
 VALVE, FLOW REGULATOR 3.5 GPM\*\*.....75  
 VALVE, FUEL LOCK.....71  
 VALVE, LOCK OFF, BEAM #FL-418.....59-60  
 VALVE, PILOT OPERATED.....27, 47  
 VALVE, PRESSURE REDUCING.....119  
 VALVE, PRI. FLOW REG 4.3.....119  
 VALVE, PROPORTIONAL SOLENOID\*\*\*.....75  
 VALVE, REGEN. SANDWICH.....75  
 VALVE, RELIEF.....73, 75  
 VALVE, RELIEF 250 PSI\*\*\*.....41  
 VALVE, RELIEF 2600 PSI.....75  
 VALVE, RELIEF, 210 PSI.....21  
 VALVE, RELIEF, 2200 PSI\*\*\*.....75  
 VALVE, SHUTTLE.....21, 41  
 VALVE, SHUTTLE (30797).....27, 47  
 VALVE, SHUTTLE\*\*\*.....27, 47, 77-78  
 VALVE, SOLENOID.....75  
 VALVE, SOLENOID (18660).....119  
 VALVE, SOLENOID, 10V, 2POS 3WAY\*\*.....59-60, 65  
 VLV, MAN, 3 POS/4 WAY, OPEN CTR.....27, 47
- W**
- WASHER, 3/8 PLATE (3/8X2X3/16TK.....77-78  
 WASHER, FENDER, .25 X 1.25 X .062.....85, 103  
 WASHER, FLAT, 5 HARDENED.....23-24, 39, 43-44, 59-60, 67, 77-78  
 WASHER, FLAT, 625 HARDENED.....23-24, 39, 43-44, 63, 67, 77-78, 93  
 WASHER, FLAT, 1.063 X 2 X .134.....99  
 WASHER, FLAT, MS, #10, Y.....93, 113  
 WASHER, FLAT, USS, 1/2", Y.....63, 73  
 WASHER, FLAT, USS, 1/4" Y.....19, 23-24, 27, 39, 43-44, 47, 59-60, 63, 65, 67, 69, 73, 77-78, 81, 83, 85, 95, 97, 99, 103, 107, 115, 119, 121  
 WASHER, FLAT, USS, 3/8", Y.....63, 67, 71, 73, 85, 93, 103  
 WASHER, FLAT, USS, 5/16", Y.....39  
 WASHER, FLAT, USS, 5/8", Y.....63, 65  
 WASHER, LOCK, #10 PLTD.....73, 75, 93, 95  
 WASHER, LOCK, .25.....19, 23-24, 27, 39, 43-44, 47, 59-60, 63, 67, 69, 77-78, 81, 83, 97  
 WASHER, LOCK, .313.....69, 73, 93  
 WASHER, LOCK, .375.....15, 17, 23-24, 35, 37, 39, 43-44, 59-60, 63, 65, 67, 69, 73, 77-78, 85, 93, 95, 97, 119  
 WASHER, LOCK, 0.5".....23-24, 43-44, 59-60, 67, 77-78, 95, 99  
 WASHER, LOCK, M10.....63  
 WASHER, SHIM, 1.01 X 1.63 X .062.....95, 99  
 WASHER, SPINDLE.....19  
 WASHER, THRUST, 1.5 X 3.5 X .187.....15, 17, 23-24, 35, 37, 43-44

WASHER,THRUST,TORQUE HUB.....23-24,  
 39, 43-44  
 WEAR PAD,4X2X.5 W/INSERT\*\*\*.....63, 67, 93  
 WEAR PAD,5 X 1.5 X .625 W/NUTS.....95  
 WEAR PAD,6.5 X 5 X .75 W/INSER.....95  
 WEAR PAD,CABLE TRACK.....97  
 WEAR PAD,CABLE TRACK TUBE.....97  
 WELDMENT, ENGINE MODULE PLATE.....63,  
 65  
 WELDMENT,DEUTZ ENGINE MOUNT.....65  
 WELDMENT,EXHAUST SUPPORT.....67  
 WELDMENT,FORD ENG.MNT,INBOARD.....63  
 W E L D M E N T , F O R D  
 ENG.MNT,OUTBOARD.....63  
 WELDMENT,FRT AXLE OSC,ASSY.....15, 35  
 WELDMENT,HYD TANK MODULE.....73  
 WELDMENT,RADIATOR MOUNT.....63  
 WELDMENT,ROD END.....15, 17, 35, 37  
 WELMENT,DEUTZ ENGINE MOUNT.....65  
 WHEEL&TIRE ASSY,AIR,STEERING.....19  
 WHEEL, 16.5 X 9.75 S40.....23-24, 39, 43-44  
 WHEEL, 16X10.....19  
 WIRE CABLE,14/3 CON.TPE JKT\*.....105  
 WIRE CABLE,16/2 SJO,BULK.....81  
 WIRE CABLE,16/3 SJO,BULK.....81  
 WIRE CABLE,16/4 SJO,BULK.....81  
 WIRE CABLE,18/19 CON.TPRJKT.....81, 105  
 WIRE LOOM,3/8 POLY SLIT.....103  
 WIRE,12/3 SJEOW,BULK,BLK-WHT-G.....81,  
 105  
 WIRING DUCT/COVER, 1 X 72 IN\*\*.....81  
 WLDMT.CABLE TRACK SUPP.TUBE.....97  
 WLDMT.CABLE TRACK TUBE S40.....97  
 WLDMT.FUNCTION MAN. MNT. S40.....73

## Y

YOKE ASSEMBLY 2WD S40 LEFT.....17  
 YOKE ASSEMBLY 2WD S40 RIGHT.....15, 17  
 YOKE ASSEMBLY,2WD L.H.,S40.....15  
 YOKE ASSY,4WD,L.S.,S40.....35, 37  
 YOKE ASSY,4WD,R.S.,S40.....35, 37

## Z

ZERK,GREASE,1/8 NPT.....85

## Fitting Cross References

Genie PN	Parker PN	Description	Genie PN	Parker PN	Description
12342	6-4 F5OX-S	CONNECTOR,STRAIGHT THREAD TO FLARE TUBE	42794	1 CR-S	ELBOW,90°,MALE PIPE
13757	4 R6X-S	RUN TEE,SWIVEL NUT,ORFS	42795	BV-0839	BALL VALVE
19685	12-10 C5OX-S	ELBOW,90°,STRAIGHT THREAD TO FLARE TUBE	42796	BV-0838	BALL VALVE
22664	12-10 C5OX	ELBOW,90°,STRAIGHT THREAD TO FLARE TUBE	42874	6-8 CLO-S	ELBOW,90°,MALE PIPE TO ORFS
27431	8-12 F5OX-S	CONNECTOR,STRAIGHT THREAD TO FLARE TUBE	42912	13943-6-4	HOSE END,90° FEMALE SWIVEL,JIC
28678	AS-B-33	SLEEVE,NYLON,1.81" ID	42920	BV-0840	BALL VALVE,90°
39871	6 WETX-WLN-S	UNION,90° BULKHEAD W/NUT,FLARE TUBE	42932	AS-B-17	SLEEVE,NYLON,1.22" ID
39872	4 R5OX-S	RUN TEE,STRAIGHT THREAD	42936	10243-2-4	HOSE END,FEMALE PIPE
39873	6 C5OX-S	ELBOW,90°,STRAIGHT THREAD TO FLARE TUBE	42953	1/2 DD-S	ELBOW,90°,FEMALE PIPE
39874	8-6 C5OX-S	ELBOW,90°,STRAIGHT THREAD TO FLARE TUBE	42956	6 WELO-WLNL-S	UNION,90° BULKHEAD W/NUT,ORFS
39875	4-6 C5OX-S	ELBOW,90°,STRAIGHT THREAD TO FLARE TUBE	45349	8 V5OX-S	ELBOW,45°,STRAIGHT THREAD TO FLARE TUBE
39876	6-8 C5OX-S	ELBOW,90°,STRAIGHT THREAD TO FLARE TUBE	45351	4 V5OX-S	ELBOW,45°,STRAIGHT THREAD TO FLARE TUBE
39877	4 F5OX-S	CONNECTOR,STRAIGHT THREAD TO FLARE TUBE	47223	10343-6-6	HOSE END,MALE,JIC
39878	6 F5OX-S	CONNECTOR,STRAIGHT THREAD TO FLARE TUBE	47419	PS690503-6-6	SWIVEL,90°,STRAIGHT THREAD TO 37° FLARE
39879	4-8 F5OX-S	CONNECTOR,STRAIGHT THREAD TO FLARE TUBE	48750	421-4	HOSE,1/4 INCH ID
39880	6-10 F5OX-S	CONNECTOR,STRAIGHT THREAD TO FLARE TUBE	48751	481TC-4	HOSE,1/4 INCH ID
39881	4-6 F5OX-S	CONNECTOR,STRAIGHT THREAD TO FLARE TUBE	48752	482TC-4	HOSE,1/4 INCH ID
39882	4-HP5ON-S	PLUG,STRAIGHT THREAD	48753	451TC-6	HOSE,3/8 INCH ID
39883	8-8 FTX-S	CONNECTOR,MALE PIPE TO FLARE TUBE	48754	482TC-6	HOSE,3/8 INCH ID
39885	269HB 12-12	ELBOW,90°,BEADED HOSE BARB TO MALE PIPE	48755	381-6	HOSE,3/8 INCH ID
39886	431-6	HOSE,3/8 INCH ID	48756	451TC-8	HOSE,1/2 INCH ID
39887	540N-2	HOSE,1/8 INCH ID	48757	482TC-8	HOSE,1/2 INCH ID
39888	801-8	HOSE,1/2 INCH ID	48758	381-8	HOSE,1/2 INCH ID
39889	801-12	HOSE,3/4 INCH ID	48759	381-10	HOSE,5/8 INCH ID
39890	10643-6-6	HOSE END,FEMALE SWIVEL,JIC	48760	451TC-10	HOSE,5/8 INCH ID
39891	13943-6-6	HOSE END,90° FEMALE SWIVEL,JIC	48761	482TC-12	HOSE,3/4 INCH ID
39892	13743-6-6	HOSE END,45° FEMALE SWIVEL,JIC	48762	451TC-12	HOSE,3/4 INCH ID
39894	30682-8-8	HOSE END,FEMALE SWIVEL,JIC	48763	772-12	HOSE,3/4 INCH ID
39895	30682-10-12	HOSE END,FEMALE SWIVEL,JIC	48764	881-16	HOSE,1 INCH ID
42286	8-8 CTX-S	ELBOW,90°,MALE PIPE TO FLARE TUBE	48765	772-16	HOSE,1 INCH ID
42756	8-12 CLO-S	ELBOW,90,MALE PIPE TO ORFS	48766	AS-B-15	SLEEVE,NYLON,1.06" ID
42757	8-12 FLO-S	CONNECTOR,MALE PIPE TO ORFS	48767	AS-B-22	SLEEVE,NYLON,1.42" ID
42758	4 JLO-S	UNION TEE,ORFS	48770	881-8	HOSE,1/2 INCH ID
42759	4-4 FLO-S	CONNECTOR,MALE PIPE TO ORFS			
42760	6-8 FLO-S	CONNECTOR,MALE PIPE TO ORFS			
42761	1J143-6-4	HOSE END,90° FEMALE SWIVEL,SEAL LOK			
42762	1J743-6-4	HOSE END,45° FEMALE SWIVEL,SEAL LOK			
42768	1JO43-4-4	HOSE END,MALE,SEAL LOK			
42776	601-8	HOSE,1/2 INCH ID			
42777	1J743-16-16	HOSE END,45° FEMALE SWIVEL,SEAL LOK			
42786	16 CLO-S	ELBOW,90°,MALE PIPE TO ORFS			
42787	16 R6LO-S	RUN TEE,SWIVEL NUT,ORFS			
42788	16-8 TRLO-BL-S	REDUCER,TUBE END TO SWIVEL,ORFS			
42789	6-6 CLO-S	ELBOW,90°,MALE PIPE TO ORFS			
42790	8-10 V5OLO-S	ELBOW,45°,STRAIGHT THREAD TO ORFS			
42791	3/4 CD-S	ELBOW,90°,MALE TO FEMALE PIPE			
42792	3/4 X 1/2 PTR-S	REDUCER,MALE TO FEMALE PIPE			
42793	1/2 CR-S	ELBOW,90°,MALE PIPE			

Fitting Cross References (Continued)

Genie PN	Parker PN	Description
48771	881-10	HOSE,5/8 INCH ID
48772	381-4	HOSE,1/4 INCH ID
48773	AS-B-13	SLEEVE,NYLON,.86" ID
48800	1JC43-4-4	HOSE END,FEMALE SWIVEL,SEAL LOK
48801	1J743-4-4	HOSE END,45° FEMALE SWIVEL,SEAL LOK
48802	1J943-4-4	HOSE END,90° FEMALE SWIVEL,SEAL LOK
48804	1JM43-4-4	HOSE END,MALE,SEAL LOK, NO O-RING
48805	10643-4-4	HOSE END,FEMALE SWIVEL,JIC
48806	13943-4-4	HOSE END,90° FEMALE SWIVEL,JIC
48807	1JS43-4-4	HOSE END,FEMALE SWIVEL,SEAL LOK
48808	3JC82-8-8	HOSE END,FEMALE SWIVEL,SEAL LOK
48809	3JC82-12-12	HOSE END,FEMALE SWIVEL,SEAL LOK
48810	1JC43-6-4	HOSE END,FEMALE SWIVEL,SEAL LOK
48811	1J943-6-4	HOSE END,90° FEMALE SWIVEL,SEAL LOK
48812	1JC43-6-6	HOSE END,FEMALE SWIVEL,SEAL LOK
48813	1J143-6-6	HOSE END,90° FEMALE SWIVEL,SEAL LOK
48814	1J543-6-6	HOSE END,90° FEMALE SWIVEL,SEAL LOK
48815	1J743-6-6	HOSE END,45° FEMALE SWIVEL,SEAL LOK
48816	1J943-6-6	HOSE END,90° FEMALE SWIVEL,SEAL LOK
48817	1JS43-6-8	HOSE END,FEMALE SWIVEL,SEAL LOK
48818	1J943-8-4	HOSE END,90° FEMALE SWIVEL,SEAL LOK
48819	1JC43-8-6	HOSE END,FEMALE SWIVEL,SEAL LOK
48820	1J743-8-6	HOSE END,45° FEMALE SWIVEL,SEAL LOK
48821	1J943-8-6	HOSE END,90° FEMALE SWIVEL,SEAL LOK
48822	1JC43-8-8	HOSE END,FEMALE SWIVEL,SEAL LOK
48823	1JS43-8-8	HOSE END,FEMALE SWIVEL,SEAL LOK
48824	1J143-8-8	HOSE END,90° FEMALE SWIVEL,SEAL LOK
48825	1J543-8-8	HOSE END,90° FEMALE SWIVEL,SEAL LOK
48826	1J743-8-8	HOSE END,45° FEMALE SWIVEL,SEAL LOK
48827	1J943-8-8	HOSE END,90° FEMALE SWIVEL,SEAL LOK
48828	1JC43-10-8	HOSE END,FEMALE SWIVEL,SEAL LOK
48829	1JS43-10-8	HOSE END,FEMALE SWIVEL,SEAL LOK
48830	1J743-10-8	HOSE END,45° FEMALE SWIVEL,SEAL LOK
48831	1J943-10-8	HOSE END,90° FEMALE SWIVEL,SEAL LOK
48833	1JC43-10-10	HOSE END,FEMALE SWIVEL,SEAL LOK
48834	1J943-10-10	HOSE END,90° FEMALE SWIVEL,SEAL LOK
48835	1JS43-10-12	HOSE END,FEMALE SWIVEL,SEAL LOK
48836	1JC43-12-8	HOSE END,FEMALE SWIVEL,SEAL LOK
48837	1JS43-12-8	HOSE END,FEMALE SWIVEL,SEAL LOK
48838	1J743-12-8	HOSE END,45° FEMALE SWIVEL,SEAL LOK
48839	1J943-12-8	HOSE END,90° FEMALE SWIVEL,SEAL LOK
48840	1J943-12-10	HOSE END,90° FEMALE SWIVEL,SEAL LOK
48841	1JC43-12-12	HOSE END,FEMALE SWIVEL,SEAL LOK
48842	1JO43-12-12	HOSE END,MALE,SEAL LOK
48843	1J143-12-12	HOSE END,90° FEMALE SWIVEL,SEAL LOK
48844	1J543-12-12	HOSE END,90° FEMALE SWIVEL,SEAL LOK
48845	1J743-12-12	HOSE END,45° FEMALE SWIVEL,SEAL LOK
48846	1J943-12-12	HOSE END,90° FEMALE SWIVEL,SEAL LOK

Genie PN	Parker PN	Description
48847	13943-12-12	HOSE END,90° FEMALE SWIVEL,JIC
48848	10543-12-12	HOSE END,MALE,STRAIGHT THREAD
48849	1JC71-12-12	HOSE END,FEMALE SWIVEL,SEAL LOK
48850	1JS71-12-12	HOSE END,FEMALE SWIVEL,SEAL LOK
48851	1J171-12-12	HOSE END,90° FEMALE SWIVEL,SEAL LOK
48852	1J771-12-12	HOSE END,45° FEMALE SWIVEL,SEAL LOK
48853	1J971-12-12	HOSE END,90° FEMALE SWIVEL,SEAL LOK
48854	1JC43-16-16	HOSE END,FEMALE SWIVEL,SEAL LOK
48855	1J943-16-16	HOSE END,90° FEMALE SWIVEL,SEAL LOK
48856	1J171-16-16	HOSE END,90° FEMALE SWIVEL,SEAL LOK
48857	1J971-16-16	HOSE END,90° FEMALE SWIVEL,SEAL LOK
48859	1JS43-8-4	HOSE END,FEMALE SWIVEL,SEAL LOK
48867	PD36BTL	DIAGNOSTIC NIPPLE,SEAL-LOK SWIVEL
48873	6 PNLO-S	PLUG,TUBE END,ORFS
48874	6 PNTX-S	PLUG,FLARE TUBE
48875	6 R6LO-S	RUN TEE,SWIVEL NUT,ORFS
48877	4 F5OLO-SW/.025	CONNECTOR,STRAIGHT THREAD TO ORFS, W/.025 ORI
48878	16-12 C5OLO-S	ELBOW,90°,STRAIGHT THREAD TO ORFS
48879	8 C6LO-S	ELBOW,90°,SWIVEL NUT ORFS
48880	PD6-285	CAP,DIAGNOSTIC NIPPLE
48881	6 HLO-S	UNION,ORFS
48883	8 P5ON-S	PLUG,STRAIGHT THREAD
48884	8M18F87OMLO-S	CONNECTOR,METRIC,STRAIGHT THREAD TO ORFS
48885	4 WGTX-WLN-S	CONNECTOR,BULKHEAD,FEMALE PIPE TO FLARE TUBE
48886	4 F5OLO-SW/2MM	CONNECTOR,MACHINED STRAIGHT THREAD TO ORFS
48887	4 CTX-S	ELBOW,90°,MALE PIPE TO FLARE TUBE
48888	10-12 V5OLO-S	ELBOW,45°,STRAIGHT THREAD TO ORFS
48890	4 S5OLO-S	BRANCH TEE,STRAIGHT THREAD TO ORFS
48891	4 S6LO-S	BRANCH TEE,SWIVEL NUT TO ORFS

## Fitting Cross References (Continued)

Genie PN	Parker PN	Description	Genie PN	Parker PN	Description
48892	6 C6LO-S	ELBOW,90°,SWIVEL NUT ORFS	48938	8 R6LO-S	RUN TEE,SWIVEL NUT,ORFS
48893	6 F5OHAO-S	UNION,STRAIGHT THREAD	48939	8 S6LO-S	BRANCH TEE,SWIVEL NUT TO ORFS
48894	8 WLO-WLNL-S	UNION,BULKHEAD,ORFS	48940	8 WJLO-WLNL-S	RUN TEE, BULKHEAD,ORFS
48895	DT-370-MSMO-5	VALVE,CHECK	48941	8-4 TRLO-S	REDUCER,TUBE END TO SWIVEL,ORFS
48896	6 JLO-S	UNION,TEE,ORFS	48942	8-6 C5OLO-S	ELBOW,90°,STRAIGHT THREAD TO ORFS
48897	DT-750-MSMS-5	VALVE,CHECK	48943	8-6 F5OLO-S	CONNECTOR,STRAIGHT THREAD TO ORFS
48898	DT-750-MOMS-5	VALVE,CHECK	48944	8-8 FLO-S	CONNECTOR,MALE PIPE TO ORFS
48899	DT-620-MOMS-5	VALVE,CHECK	48945	8 FTX-S	CONNECTOR,MALE PIPE TO FLARE TUBE
48900	4-6 F5OLO-SW/.035	CONNECTOR,STRAIGHT THREAD TO ORFS, W/.035 ORI	48946	8-10 F5OLO-S	CONNECTOR,STRAIGHT THREAD TO ORFS
48902	16-1 AOE4G-S	ELBOW,90° LONG,FEMALE PIPE TO STRAIGHT THREAD	48947	8-12 C5OLO-S	ELBOW,90°,STRAIGHT THREAD TO ORFS
48903	1 FF-S	NIPPLE,PIPE	48948	8-12 F5OLO-S	CONNECTOR,STRAIGHT THREAD TO ORFS
48904	4 C5OLO-S	ELBOW,90°,STRAIGHT THREAD TO ORFS	48949	8-16 F5OLO-S	CONNECTOR,STRAIGHT THREAD TO ORFS
48905	4 F5OLO-S	CONNECTOR,STRAIGHT THREAD TO ORFS	48950	10 C5OLO-S	ELBOW,90°,STRAIGHT THREAD TO ORFS
48906	4 R5OLO-S	RUN TEE,STRAIGHT THREAD	48951	10 CC5OLO-S	ELBOW,90° LONG,STRAIGHT THREAD TO ORFS
48907	4 V5OLO-S	ELBOW,45°,STRAIGHT THREAD TO ORFS	48952	10 F5OLO-S	CONNECTOR,STRAIGHT THREAD TO ORFS
48908	4 R6LO-S	RUN TEE,SWIVEL NUT,ORFS	48953	10 R5OLO-S	RUN TEE,STRAIGHT THREAD
48909	4 WJLO-WLNL-S	RUN TEE, BULKHEAD,ORFS	48954	10 S5OLO-S	BRANCH TEE,STRAIGHT THREAD TO ORFS
48910	4 GTX-S W/.030	CONNECTOR,FEMALE PIPE TO FLARE TUBE	48955	10 R6LO-S	RUN TEE,SWIVEL NUT,ORFS
48911	4-6 C5OLO-S	ELBOW,90°,STRAIGHT THREAD TO ORFS	48956	10-4 TRLO-BL-S	REDUCER,TUBE END TO SWIVEL,ORFS
48912	4-6 F5OLO-S	CONNECTOR,STRAIGHT THREAD TO ORFS	48957	10-6 TRLO-BL-S	REDUCER,TUBE END TO SWIVEL,ORFS
48913	4-6 F5OLO-SW/.030	CONNECTOR,STRAIGHT THREAD TO ORFS, W/.030 ORI	48958	10-12 F5OLO-S	CONNECTOR,STRAIGHT THREAD TO ORFS
48914	4-8 F5OLO-S	CONNECTOR,STRAIGHT THREAD TO ORFS	48959	12 C5OLO-S	ELBOW,90°,STRAIGHT THREAD TO ORFS
48915	6 C5OLO-S	ELBOW,90°,STRAIGHT THREAD TO ORFS	48960	12 F5OLO-S	CONNECTOR,STRAIGHT THREAD TO ORFS
48916	6 F5OLO-S	CONNECTOR,STRAIGHT THREAD TO ORFS	48961	12 R5OLO-S	RUN TEE,STRAIGHT THREAD
48917	6 FF5OLO-S	CONNECTOR,LONG,STRAIGHT THREAD TO ORFS	48962	12 S5OLO-S	BRANCH TEE,STRAIGHT THREAD TO ORFS
48918	6 R5OLO-S	RUN TEE,STRAIGHT THREAD	48963	12 V5OLO-S	ELBOW,45°,STRAIGHT THREAD TO ORFS
48919	6 S5OLO-S	BRANCH TEE,STRAIGHT THREAD TO ORFS	48964	12 R6LO-S	RUN TEE,SWIVEL NUT,ORFS
48920	6 V5OLO-S	ELBOW,45°,STRAIGHT THREAD TO ORFS	48965	12 CLO-S	ELBOW,90°,MALE PIPE TO ORFS
48921	6 FLO-S	CONNECTOR,MALE PIPE TO ORFS	48966	12 FLO-S	CONNECTOR,MALE PIPE TO ORFS
48922	6-6 FLO-S	CONNECTOR,MALE PIPE TO ORFS	48967	12 JLO-S	UNION TEE,ORFS
48923	6 P5ON-S	PLUG,STRAIGHT THREAD	48968	12 WLO-WLNL-S	UNION,BULKHEAD,ORFS
48925	6 WELO-S	UNION,90° BULKHEAD,ORFS	48969	12 WJLO-WLNL-S	RUN TEE, BULKHEAD,ORFS
48926	6-4 C5OLO-S	ELBOW,90°,STRAIGHT THREAD TO ORFS	48970	12 WELO-WLNL-S	UNION,90° BULKHEAD W/NUT,ORFS
48927	6-4 F5OLO-S	CONNECTOR,STRAIGHT THREAD TO ORFS			
48928	6-4 V5OLO-S	ELBOW,45°,STRAIGHT THREAD TO ORFS			
48929	6-8 C5OLO-S	ELBOW,90°,STRAIGHT THREAD TO ORFS			
48930	6-8 F5OLO-S	CONNECTOR,STRAIGHT THREAD TO ORFS			
48931	6-10 F5OLO-S	CONNECTOR,STRAIGHT THREAD TO ORFS			
48932	8 C5OLO-S	ELBOW,90°,STRAIGHT THREAD TO ORFS			
48933	8 F5OLO-S	CONNECTOR,STRAIGHT THREAD TO ORFS			
48934	8 FF5OLO-S	CONNECTOR,LONG,STRAIGHT THREAD TO ORFS			
48935	8 R5OLO-S	RUN TEE,STRAIGHT THREAD			
48936	8 S5OLO-S	BRANCH TEE,STRAIGHT THREAD TO ORFS			
48937	8 V5OLO-S	ELBOW,45°,STRAIGHT THREAD TO ORFS			

Fitting Cross References (Continued)

Genie PN	Parker PN	Description	Genie PN	Parker PN	Description
48971	12 G5G5JG5-S	TEE,FEMALE STRAIGHT THREAD	49612	PKT02586	O-RING KIT (ORFS FITTINGS)
48972	12 XHL6-S	ADAPTER, 37° MALE TO SWIVEL ORFS	49613	PKT06276	PLUG AND CAP KIT-SERVICE,ORFS
48973	12-1/2 F5OG-S	ADAPTER,FEMALE PIPE TO STRAIGHT THREAD	49728	10143-12-12	HOSE END, MALE PIPE
48974	12-10 C5OLO-S	ELBOW,90°,STRAIGHT THREAD TO ORFS	49729	16-1 F5OG-S	ADAPTER,FEMALE PIPE TO STRAIGHT THREAD
48975	12-10 F5OLO-S	CONNECTOR,STRAIGHT THREAD TO ORFS	49814	12-8 FLO-S	CONNECTOR,MALE PIPE TO ORFS
48976	12-16 C5OLO-S	ELBOW,90°,STRAIGHT THREAD TO ORFS	49829	DT-500-MOMF-5	VALVE,CHECK
48977	12-16 F5OLO-S	CONNECTOR,STRAIGHT THREAD TO ORFS	49831	881-12	HOSE,3/4 INCH ID
48978	12-16 V5OLO-S	ELBOW,45°,STRAIGHT THREAD TO ORFS	49834	16 JLO-S	UNION TEE,ORFS
48980	12-16 FLO-S	CONNECTOR,MALE PIPE TO ORFS	49838	12-8 TRLO-BL-S	REDUCER,TUBE END TO SWIVEL,ORFS
48983	16 C5OLO-S	ELBOW,90°,STRAIGHT THREAD TO ORFS	49840	8 JLO-S	UNION TEE,ORFS
48984	16 F5OLO-S	CONNECTOR,STRAIGHT THREAD TO ORFS	49844	10-8 TRLO-BL-S	REDUCER,TUBE END TO SWIVEL,ORFS
48985	16 V5OLO-S	ELBOW,45°,STRAIGHT THREAD TO ORFS	49854	8 P5ON-S	PLUG,STRAIGHT THREAD
48986	16 FLO-S	CONNECTOR,MALE PIPE TO ORFS	49855	1JC43-16-12	HOSE END,FEMALE SWIVEL,SEAL LOK
48988	16 CD45-S	ELBOW,45°,MALE TO FEMALE PIPE	49859	4 P5ON-S	PLUG,STRAIGHT THREAD
48989	12 CD45-S	ELBOW,45°,MALE TO FEMALE PIPE	49861	4 FF5OLO-S	CONNECTOR,LONG,STRAIGHT THREAD TO ORFS
48990	8 CD45-S	ELBOW,45°,MALE TO FEMALE PIPE	49867	12-3/4 F5OG-S	ADAPTER,FEMALE PIPE TO STRAIGHT THREAD
48991	16-12 FLO-S	CONNECTOR,MALE PIPE TO ORFS	51152	6 R6X-S	RUN TEE,SWIVEL NUT,ORFS
48992	16-12 V5OLO-S	ELBOW,45°,STRAIGHT THREAD TO ORFS	51153	6-4 TRTX-S	REDUCER,TUBE END TO SWIVEL,ORFS
48993	XV501-12	BALL VALVE	51154	4-4 GTX	CONNECTOR,FEMALE PIPE TO FLARE TUBE
48994	XV501-16	BALL VALVE	51264	881-12	HOSE,3/4 INCH ID
48995	XV510P-12	BALL VALVE	51265	8 JLO-S	UNION TEE,ORFS
48996	XV510P-16	BALL VALVE	51508	6 BTX-S	NUT,FLARE TUBE
48997	PD341	DIAGNOSTIC NIPPLE, STRAIGHT THREAD	51580	12-8 TRLO-BL-S	TUBE END REDUCER,ORFS
48998	PD 361	DIAGNOSTIC NIPPLE, STRAIGHT THREAD	51628	6 R6X-S	RUN TEE,SWIVEL NUT,ORFS
48999	DT-500-MOMS-5	VALVE,CHECK	51735	3/8 HHP	PLUG,PIPE THREAD
49201	10 V5OLO-S	ELBOW,45°,STRAIGHT THREAD TO ORFS	51803	1J943-6-8	HOSE END,90° FEMALE SWIVEL,SEAL LOK
49202	1JC43-12-10	HOSE END,FEMALE SWIVEL,SEAL LOK	53023	125HBL-5-4	FITTING,HOSE BARB TO MALE PIPE
49203	10-8 V5OLO-S	ELBOW,45°,STRAIGHT THREAD TO ORFS	53497	PKT02585	O-RING KIT
49205	6 F5OHAO-S	UNION,STRAIGHT THREAD	53499	1JC71-16-16	HOSE END,FEMALE SWIVEL,SEAL LOK
49207	PD34BTL	DIAGNOSTIC NIPPLE,SEAL-LOK SWIVEL	53500	3-904	O-RING,STRAIGHT THREAD,-4
49209	8M18F870MX-S	CONNECTOR,METRIC,STRAIGHT THREAD TO FLARE TUBE	53501	3-906	O-RING,STRAIGHT THREAD,-6
49212	8 WGTX-WLN-S	CONNECTOR,BULKHEAD,FEMALE PIPE TO FLARE TUBE	53502	3-908	O-RING,STRAIGHT THREAD,-8
49213	30682-8-8	HOSE END,FEMALE SWIVEL,JIC	53503	3-910	O-RING,STRAIGHT THREAD,-10
49216	831-8	HOSE,1/2 INCH ID			
49217	33982-8-8	HOSE END,90° FEMALE SWIVEL,JIC			
49219	PS-B-35	SLEEVE,NYLON,2.19" ID			
49418	4-6 V5OLO-S	ELBOW,45°,STRAIGHT THREAD TO ORFS			
49511	DT370-MOMS-5	VALVE,CHECK			
49512	1 DD-S	ELBOW,90°,FEMALE PIPE			
49513	1 FF-S	NIPPLE,PIPE			
49514	10 HP5ON-S	PLUG,STRAIGHT THREAD			
49515	12-16 CLO-S	ELBOW,90°,MALE PIPE TO ORFS			
49517	6 HP5ON-S	PLUG,STRAIGHT THREAD			
49519	16-12 F5OLO-S	CONNECTOR,STRAIGHT THREAD TO ORFS			
49520	4 VTX-S	ELBOW,45°,MALE PIPE TO FLARE TUBE			
49530	16 C6LO-S	ELBOW,90°,SWIVEL NUT ORFS			

## Fitting Cross References (Continued)

Genie PN	Parker PN	Description	Genie PN	Parker PN	Description
53535	3-912	O-RING,STRAIGHT THREAD,-12	61083	24 F5OLO-S	CONNECTOR,STRAIGHT THREAD TO ORFS
53536	4-PNLO-S	PLUG,TUBE END,ORFS	61086	20 R5OLO-S	RUN TEE,STRAIGHT THREAD
53537	6 PNLO-S	PLUG,TUBE END,ORFS	61090	24-20 F5OLO-S	CONNECTOR,STRAIGHT THREAD TO ORFS
53538	8 PNLO-S	PLUG,TUBE END,ORFS	61091	1J943 24-24	HOSE END,90° FEMALE SWIVEL,SEAL LOK
53539	10 PNLO-S	PLUG,TUBE END,ORFS	61093	1J978-12-12	HOSE END,90° FEMALE SWIVEL,JIC
53540	12 PNLO-S	PLUG,TUBE END,ORFS	61095	1JS43-20-16	HOSE END,FEMALE SWIVEL,SEAL LOK
53946	129HB-5-4	FITTING,90° HOSE BARB TO MALE PIPE	61100	811-24	HOSE,11/2 INCH ID
53951	8-1/4F50G-S	ADAPTER,FEMALE PIPE TO STRAIGHT THREAD	61130	1JS43-24-24	HOSE END,FEMALE SWIVEL,SEAL LOK
53980	6 S6LO-S	BRANCH TEE,SWIVEL NUT TO ORFS	61131	1JS78 12-12	HOSE END,FEMALE SWIVEL,SEAL LOK
54132	4 C6LO-S	ELBOW,90°,SWIVEL NUT ORFS	61132	1J778-12-12	HOSE END,45° FEMALE SWIVEL,JIC
54135	11343-16-16	HOSE END,MALE SWIVEL,PIPE	61152	139HB-6-4	ELBOW,45°,BARB TO MALE PIPE
54283	8-10 C5OLO-S	ELBOW,90°,STRAIGHT THREAD TO ORFS	61251	BV-0750	BALL VALVE
54428	8M18C870MLO-S	ELBOW, 90° METRIC, STRAIGHT THREAD TO ORFS	61259	4 CC5OLO-S	ELBOW,90° LONG,STRAIGHT THREAD TO ORFS
54803	FS-F-16-10	SLEEVE,FIRE,-96" ID	61260	20-12 TRLO-BL	REDUCER,TUBE END TO SWIVEL,ORFS
54954	10143-2-4	HOSE END, MALE PIPE	61262	12 C6LO-S	ELBOW,90°,SWIVEL NUT ORFS
55190	3/8 HP-S	PLUG,PIPE THREAD	61263	20 F5OHAO-S	UNION,STRAIGHT THREAD
55448	8 HLO-S	UNION,ORFS	61264	6-10 C5OLO-S	ELBOW,90°,STRAIGHT THREAD TO ORFS
55839	6 F65OX-S	CONNECTOR,STRAIGHT THREAD TO 37° SWIVEL	61265	6 WNLO-WLNL-S	UNION,BULKHEAD 45°,ORFS
55968	10 C5OX-S	ELBOW,90°,STRAIGHT THREAD TO FLARE TUBE	61268	4 WNLO-WLNL-S	UNION,BULKHEAD 45°,ORFS
56003	6 CC5OLO-S	ELBOW,90° LONG,STRAIGHT THREAD TO ORFS	61269	4 WLO-WLNL-S	UNION,BULKHEAD,ORFS
56166	BV-0837	BALL VALVE,90°	61272	12 AOEL6	ELBOW,90°,STRAIGHT THREAD TO ORFS SWIVEL
56188	10143-8-6	HOSE END, MALE PIPE	61316	482TC-16	HOSE,1 INCH ID
56233	2-011	O-RING,ORFS,-4	61321	6 JLO-S	UNION TEE,ORFS
56234	2-012	O-RING,ORFS,-6	61327	782-12	HOSE,3/4 INCH ID
56235	2-014	O-RING,ORFS,-8	61328	881-24	HOSE,11/2 INCH ID
56236	2-016	O-RING,ORFS,-10	61336	11943-20-24	HOSE END,90° FLANGE HEAD
56237	2-018	O-RING,ORFS,-12	61345	12 WJLO-WLNL-S	RUN TEE, BULKHEAD,ORFS
56238	2-021	O-RING,ORFS,-16	61346	8 WNLO-WLNL-S 4	UNION,BULKHEAD 45°,ORFS
56352	6 WLNL-S	LOCKNUT,BULKHEAD	61569	33782-8-8	HOSE END,45° FEMALE SWIVEL,JIC
56353	3J782-12-12	HOSE END,45° FEMALE SWIVEL,SEAL LOK	61610	12 FF5OLO-S	CONNECTOR,LONG,STRAIGHT THREAD TO ORFS
56354	3J982-12-12	HOSE END,90° FEMALE SWIVEL,SEAL LOK	61742	1/8 X 1.5 FFF	NIPPLE,PIPE
56604	10-8 F5OLO-S	CONNECTOR,STRAIGHT THREAD TO ORFS	63426	8 PNTX-S	PLUG,FLARE TUBE
56639	3JC82-10-10	HOSE END,FEMALE SWIVEL,SEAL LOK			
56640	3J982-10-10	HOSE END,90° FEMALE SWIVEL,SEAL LOK			
56655	3JC82-8-10	HOSE END,FEMALE SWIVEL,SEAL LOK			
56676	10-8 C5OLO-S	ELBOW,90°,STRAIGHT THREAD TO ORFS			
56776	471TC-6	HOSE,3/8 INCH ID			
56777	471TC-8	HOSE,1/2 INCH ID			
56789	811-16	HOSE,1 INCH ID			
57884	3/8 FF	NIPPLE,PIPE			
59335	6 FNL-S	CAP, TUBE END			
59342	4 FNL-S	CAP, TUBE END			
59371	8 HP5ON-S	PLUG,STRAIGHT THREAD			
60653	BV-0751	BALL VALVE			
60806	125HB-3-4	FITTING,HOSE BARB TO MALE PIPE			
61064	5-1/4 F50G-S	ADAPTER,FEMALE PIPE TO STRAIGHT THREAD			
61079	4 WELO-WLNL-S	UNION,90° BULKHEAD W/NUT,ORFS			
61080	6 WLO-WLNL-S	UNION,BULKHEAD,ORFS			



## Fitting Cross References (Continued)

Genie PN	Parker PN	Description	Genie PN	Parker PN	Description
64271	4 WLO-WLNL-S	UNION,BULKHEAD,ORFS	75631	801-6	HOSE,3/8 INCH ID
64272	6 WLO-WLNL-S	UNION,BULKHEAD,ORFS	75654	20 F5OLO-S	CONNECTOR,STRAIGHT THREAD TO ORFS
65776	8 F65OL-S	CONNECTOR,STRAIGHT THREAD TO ORFS SWIVEL	75655	1J943-20-20	HOSE END,90° FEMALE SWIVEL,SEAL LOK
65880	6001012	O-RING KIT	75656	881-20	HOSE,1-1/4 INCH ID
66154	6 WTX-WLNS	UNION,BULKHEAD,FLARE TUBE	75971	8 F5OHAO-S	UNION,STRAIGHT THREAD
66155	6 WETX-S	UNION,BULKHEAD 90°,FLARE TUBE	77307	1JB43-8-8	HOSE END,BULKHEAD,SEAL LOK
66156	6 WLN-S	BULKHEAD LOCKNUT	77309	8 WLNL-S	BULKHEAD LOCKNUT
66389	6-8 F5OX-S	CONNECTOR,STRAIGHT THREAD TO FLARE TUBE	77379	8M18C87OMX-S	ELBOW,90° METRIC,STRAIGHT THREAD TO FLARE TUBE
66392	6 R5OX-S	RUN TEE,STRAIGHT THREAD	77703	3J982-8-8	HOSE END,90° FEMALE SWIVEL,SEAL LOK
66396	811-12	HOSE,3/4 INCH ID	77711	801-10	HOSE,5/8 INCH ID
66829	H3174PP	CLAMP,TUBE	77758	12 WNLO-WLNL-S	UNION,BULKHEAD 45°,ORFS
67217	4 KLO-S	UNION,CROSS,ORFS	78091	6 C6X-S	ELBOW,90°,SWIVEL NUT TO FLARE TUBE
67339	10-6 F5OX-S	CONNECTOR,STRAIGHT THREAD TO FLARE TUBE	78684	30582-8-8B	HOSE END,PUSH LOK,MALE
67357	13943-8-6	HOSE END,90° FEMALE SWIVEL,JIC	78852	549-2	HOSE,1/8 INCH ID
67358	10 HP5ON-S	PLUG,STRAIGHT THREAD	78855	10657-4-2	HOSE END,FEMALE SWIVEL,JIC
67371	12 S6LO-S	BRANCH TEE,SWIVEL NUT TO ORFS	79138	PS-B-37	SLEEVE,NYLON,2.38" ID
67498	4 FNL-S	CAP, TUBE END	79476	1JS43-6-8	HOSE END,FEMALE SWIVEL,SEAL LOK
67906	DC-370-F0F0-5	VALVE,CHECK	79847	12-3/4 A0EG-S	ELBOW,90°,STRAIGHT THREAD TO FEMALE PIPE
69316	8 FLO-S	CONNECTOR,MALE PIPE TO ORFS	80044	8 CLO-S	ELBOW,90°,MALE PIPE TO ORFS
69333	H3174PP	CLAMP,HYDRAULIC HOSE	80502	8 F5OX-S	CONNECTOR,STRAIGHT THREAD TO FLARE TUBE
69503	4 F65OX-S	CONNECTOR,STRAIGHT THREAD TO 37° SWIVEL	80503	8 C5OX-S	ELBOW,90°,STRAIGHT THREAD TO FLARE TUBE
69775	8 FNL-S	CAP, TUBE END	81010	AS-B-27	SLEEVE,NYLON,1.63" ID
71038	1/4X1/4F3HG-S	ADAPTER,CONVERSION	83052	821-6	HOSE,3/8 INCH ID
71196	12-8 F5OLO-S	CONNECTOR,STRAIGHT THREAD TO ORFS	83053	821-8	HOSE,1/2 INCH ID
71383	1/4 CD45-S	ELBOW,45°,MALE TO FEMALE PIPE	83054	821-12	HOSE,3/4 INCH ID
72270	12FNL-S	CAP, TUBE END	83055	30682-6-6	HOSE END,FEMALE SWIVEL,JIC
73436	60C-4	SLEEVE,COMPRESSION	83056	30682-12-12	HOSE END,FEMALE SWIVEL,JIC
73437	61C-4	NUT,COMPRESSION	83057	33782-6-6	HOSE END,45° FEMALE SWIVEL,JIC
73438	33482-4-4B	HOSE END,PUSH LOK,MALE	83058	33982-6-6	HOSE END,90° FEMALE SWIVEL,JIC
73767	1CD-S	ELBOW,90°,MALE TO FEMALE PIPE	83060	33982-12-12	HOSE END,90° FEMALE SWIVEL,JIC
73768	20-16-F5OG5-S	ADAPTER,FEMALE PIPE TO STRAIGHT THREAD	83063	13743-4-4	HOSE END,45° FEMALE SWIVEL,JIC
73769	16-20 F5OLO-S	CONNECTOR,STRAIGHT THREAD TO ORFS			
74660	6-8 F42EDMLO-S	CONNECTOR,MALE BSPP TO ORFS			
74661	8-8 F42EDMLO-S	CONNECTOR,MALE BSPP TO ORFS			
75007	4 FLO-S	CONNECTOR,MALE PIPE TO ORFS			
75008	1/8 HP-S	PLUG,PIPE THREAD			
75014	1/2 HP-S	PLUG,PIPE THREAD			
75042	8 WELO-WLNL-S	UNION,90° BULKHEAD W/NUT,ORFS			
75043	3/4 FF-S	NIPPLE,PIPE			
75254	24 F5OHAO-S	UNION,STRAIGHT THREAD			
75255	12 F5OHAO-S	UNION,STRAIGHT THREAD			
75256	XV506P-24	BALL VALVE			
75574	4 WLNL-S	BULKHEAD LOCKNUT			
75612	8 WJLO-WLNL-S	RUN TEE, BULKHEAD,ORFS			
75613	12-8 F5OG5-S	ADAPTER,FEMALE PIPE TO STRAIGHT THREAD			
75614	8 CC5OLO-S	ELBOW,90° LONG,STRAIGHT THREAD TO ORFS			
75628	1JB43-4-4	HOSE END,BULKHEAD,SEAL LOK			

## Fitting Cross References (Continued)

Genie PN	Parker PN	Description	Genie PN	Parker PN	Description
83064	13743-8-8	HOSE END,45° FEMALE SWIVEL,JIC	89449	6 WJLO-WLNL-S	RUN TEE, BULKHEAD,ORFS
83065	13743-12-12	HOSE END,45° FEMALE SWIVEL,JIC	89489	4 WJMLO-S	BRANCH TEE,BULKHEAD,ORFS
83066	13943-8-8	HOSE END,90° FEMALE SWIVEL,JIC	89551	1JB43-6-6	HOSE END,BULKHEAD,SEAL LOK
83067	14143-6-6	HOSE END,90° FEMALE SWIVEL,JIC	89552	1JB43-8-8	HOSE END,BULKHEAD,SEAL LOK
83068	14143-8-8	HOSE END,90° FEMALE SWIVEL,JIC	89593	20 C5OLO-S	ELBOW,90°,STRAIGHT THREAD TO ORFS
83069	14143-12-12	HOSE END,90° FEMALE SWIVEL,JIC	94161	8-8 CLO-S	ELBOW,90°,MALE PIPE TO ORFS
83070	772-8	HOSE,1/2 INCH ID	94358	351TC-12	HOSE,3/4 INCH ID
83071	10671-8-8	HOSE END,FEMALE SWIVEL,JIC	94418	20 FLO-S	CONNECTOR,MALE PIPE TO ORFS
83072	10671-12-12	HOSE END,FEMALE SWIVEL,JIC	96358	12 TX-S	SLEEVE,FLARE TUBE
83073	13771-8-8	HOSE END,45° FEMALE SWIVEL,JIC	96359	12 BTX-S	NUT,FLARE TUBE
83074	13771-12-12	HOSE END,45° FEMALE SWIVEL,JIC	96397	8 F5OX-S	CONNECTOR,STRAIGHT THREAD TO FLARE TUBE
83075	13971-8-8	HOSE END,90° FEMALE SWIVEL,JIC	96398	12-8 F5OX-S	CONNECTOR,STRAIGHT THREAD TO FLARE TUBE
83076	13971-12-12	HOSE END,90° FEMALE SWIVEL,JIC	96402	10343-6-6	HOSE END,MALE,JIC
83077	14171-8-8	HOSE END,90° FEMALE SWIVEL,JIC	96407	30382-6-6B	HOSE END,MALE,JIC
83078	14171-12-12	HOSE END,90° FEMALE SWIVEL,JIC			
83080	13943-16-16	HOSE END,90° FEMALE SWIVEL,JIC			
83103	10671-16-12	HOSE END,FEMALE SWIVEL,JIC			
83104	10671-10-12	HOSE END,FEMALE SWIVEL,JIC			
83112	1JC71-8-8	HOSE END,FEMALE SWIVEL,SEAL LOK			
83113	1JS71-16-12	HOSE END,FEMALE SWIVEL,SEAL LOK			
83114	1JS71-10-12	HOSE END,FEMALE SWIVEL,SEAL LOK			
83115	1J971-8-8	HOSE END,90° FEMALE SWIVEL,SEAL LOK			
83116	1J171-8-8	HOSE END,90° FEMALE SWIVEL,SEAL LOK			
83117	1J771-8-8	HOSE END,45° FEMALE SWIVEL,SEAL LOK			
83127	1J543-6-8	HOSE END,90° FEMALE SWIVEL,JIC			
83128	1JC43-6-8	HOSE END,FEMALE SWIVEL,SEAL LOK			
87033	12-6 TRLO-S	REDUCER,TUBE END TO SWIVEL,ORFS			
87034	3J782-8-8	HOSE END,45° FEMALE SWIVEL,SEAL LOK			
87172	12 HP5ON-S	PLUG,STRAIGHT THREAD			
87185	8 WNLO-WLNL-S	UNION,BULKHEAD 45°,ORFS			
87246	4 C6X-S	ELBOW,90°,SWIVEL NUT TO FLARE TUBE			
87679	6 LHP-S	FLANGE SEAL FITTING, MALE			
87681	6PLS N0702	BONDED SEAL			
88100	SR88100	ADAPTER,OIL DRAIN,GM 3.0L			
88311	1JS43-20-20	HOSE END,FEMALE SWIVEL,SEAL LOK			
88353	20 V5OLO-S	ELBOW,45°,STRAIGHT THREAD TO ORFS			
88474	10081-20	Crimp Shell, 1.25"			
88475	1988-20-24	HOSE END,90° FLANGE HEAD			
88476	JS88-24-24	HOSE END,FEMALE SWIVEL,SEAL LOK			
88477	1JC88-20-20	HOSE END,FEMALE SWIVEL,SEAL LOK			
88478	811-20	HOSE,11/4 INCH ID			
88936	20-16 F5OLO-S	CONNECTOR,STRAIGHT THREAD TO ORFS			
88937	20-16 FLO-S	CONNECTOR,MALE PIPE TO ORFS			
88938	1JC88-16-16	HOSE END,FEMALE SWIVEL,SEAL LOK			
88939	1J988-16-16	HOSE END,90° FEMALE SWIVEL,ORFS			
88940	811-16	HOSE,1 INCH ID			
88944	1J988-20-20	HOSE END,90° FEMALE SWIVEL,ORFS			
89403	16 VLO-S	ELBOW,45°,MALE PIPE TO ORFS			

California Proposition 65

## Warning

The exhaust from this product contains chemicals known to the State of California to cause cancer, birth defects or other reproductive harm.

### Genie North America

**Phone** 425.881.1800  
**Toll Free** USA and Canada  
800.536.1800  
**Fax** 425.883.3475

### Genie Australia Pty Ltd.

**Phone** +61 7 3375 1660  
**Fax** +61 7 3375 1002

### Genie China

**Phone** +86 21 53852570  
**Fax** +86 21 53852569

### Genie Malaysia

**Phone** +65 98 480 775  
**Fax** +65 67 533 544

### Genie Japan

**Phone** +81 3 3453 6082  
**Fax** +81 3 3453 6083

### Genie Korea

**Phone** +82 25 587 267  
**Fax** +82 25 583 910

### Genie Brasil

**Phone** +55 11 41 665 755  
**Fax** +55 11 41 665 754

### Genie Holland

**Phone** +31 183 581 102  
**Fax** +31 183 581 566

### Genie Scandinavia

**Phone** +46 31 575100  
**Fax** +46 31 579020

### Genie France

**Phone** +33 (0)2 37 26 09 99  
**Fax** +33 (0)2 37 26 09 98

### Genie Iberica

**Phone** +34 93 579 5042  
**Fax** +34 93 579 5059

### Genie Germany

**Phone** +49 (0)4202 88520  
**Fax** +49 (0)4202 8852-20

### Genie U.K.

**Phone** +44 (0)1476 584333  
**Fax** +44 (0)1476 584334

### Genie Mexico City

**Phone** +52 55 5666 5242  
**Fax** +52 55 5666 3241

Distributed By:

# Parts Manual

S-40, S-45

*from SN 0001 to 0830*

Part No.  
32223

Rev D21

**Genie**  
A TEREX BRAND